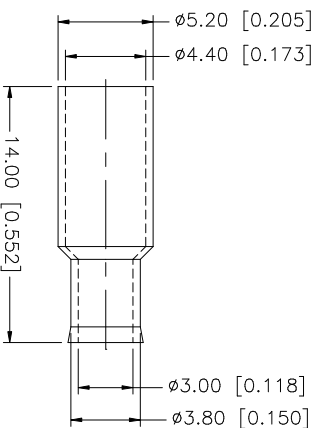
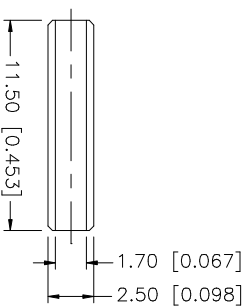
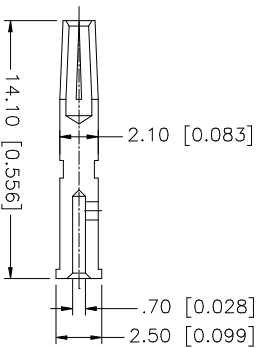
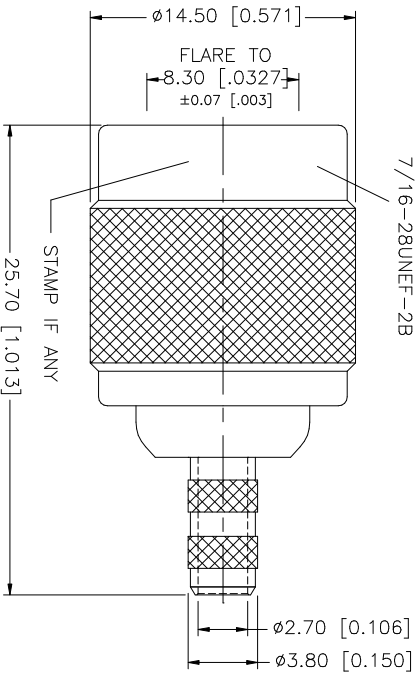
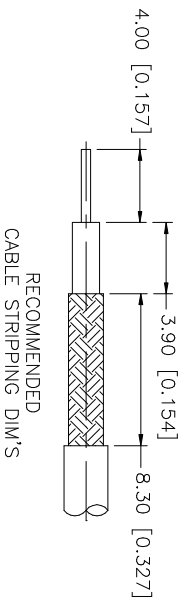


REV.	DATE	DESCRIPTION
A	02/24/03	UPDATE DRAWING FORMAT



- CRIMP NOTES:
1. CRIMPED FERRULE  
HEX SIZE .178"
  2. CRIMPED CONTACT PIN  
HEX CRIMP SIZE .068"

QTY	FINISH	MATERIAL	DESCRIPTION
1	NICKEL	BRASS	SHELL/BODY
1	GOLD	PHOS. BRONZE	CONTACT PIN
1	NATURAL	TEFLON	INSULATOR
1	NATURAL	DELIRIN	SLEEVE
1	NICKEL	COPPER	FERRULE

UNLESS OTHERWISE SPECIFIED, DIMENSIONS ARE IN INCHES AND FOR CUSTOMER REFERENCE ONLY.	UNLESS OTHERWISE SPECIFIED, DIMENSIONS ARE IN MILLIMETERS.
TOLERANCES FOR MILLIMETERS ARE:	TOLERANCES FOR INCHES ARE:
0.5 - 30mm ± 0.20mm	0.5 - .315 = ± 0.007"
8 - 80mm ± 0.40mm	.315 - 1.180 = ± 0.015"
30 - 120mm ± 0.50mm	1.180 - 4.724 = ± 0.020"

APPROVALS	DATE	PART DESCRIPTION
DRAWN G.R.S.	02/24/03	TNC REVERSE POLARITY CRIMP PLUG (FOR RG-174/U, 188/U, 316/U CABLE)
CHECKED		
ISSUED		
SHEET 1 OF 1		

CAD FILE	DWG. NO.	REV.	SIZE	SCALE
C:/122/122116RP.DWG	122116RP.DWG	A	A	NA

**Amphenol Connex**