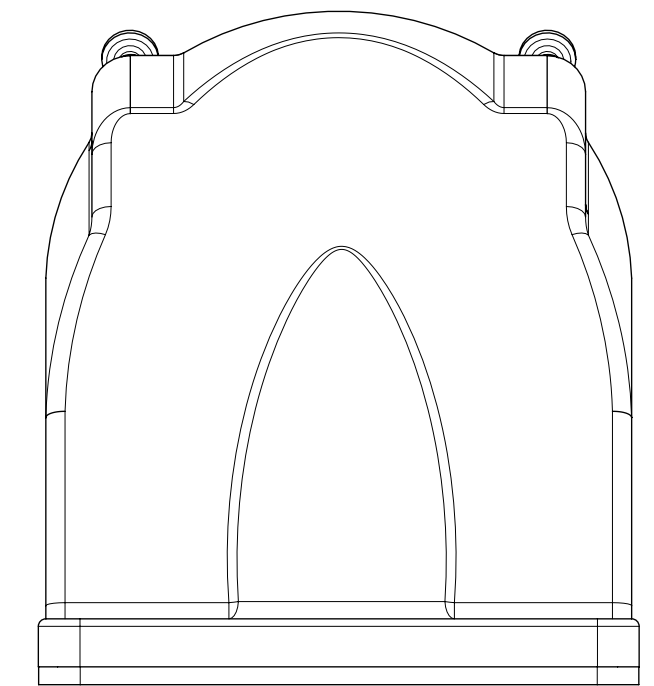
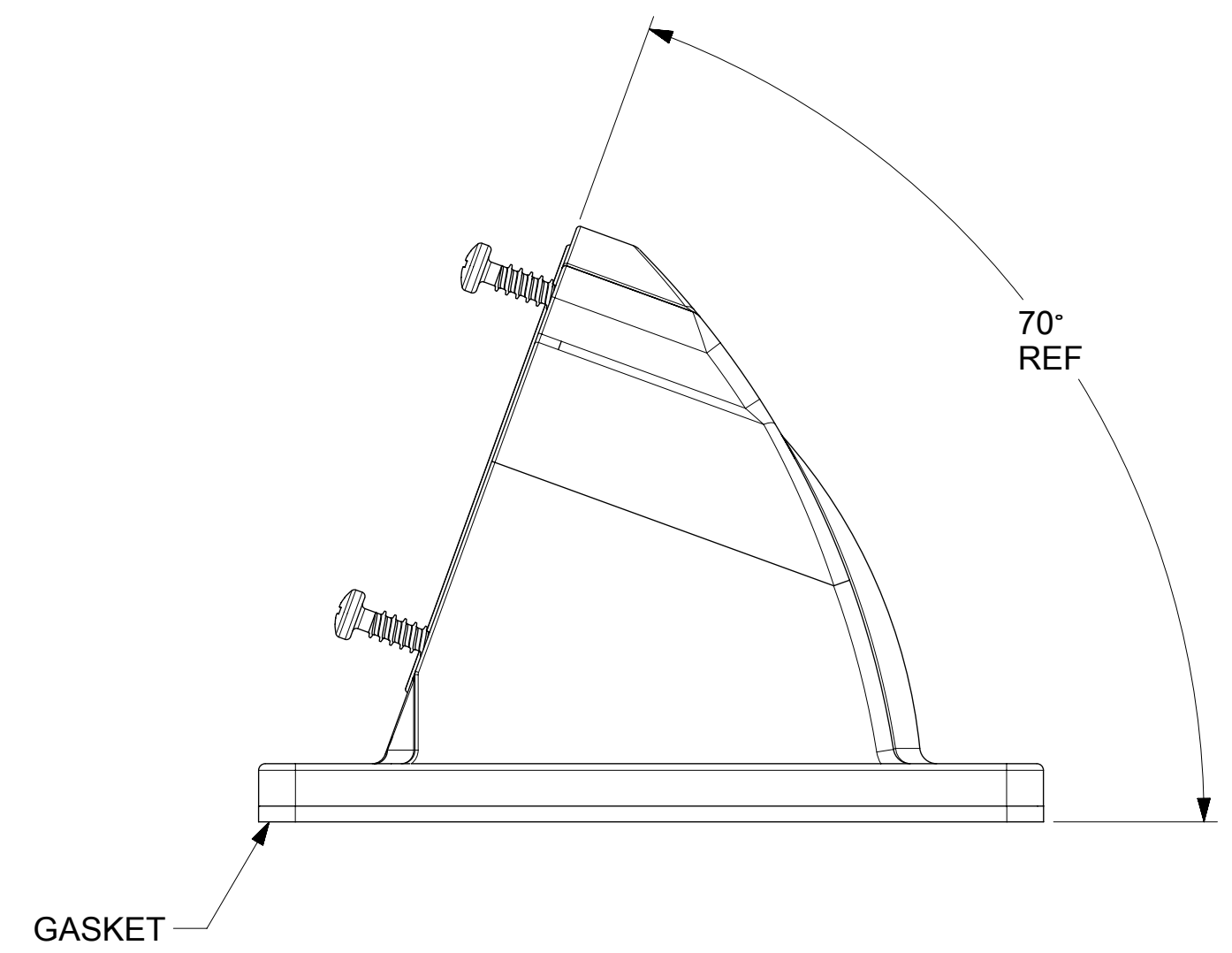
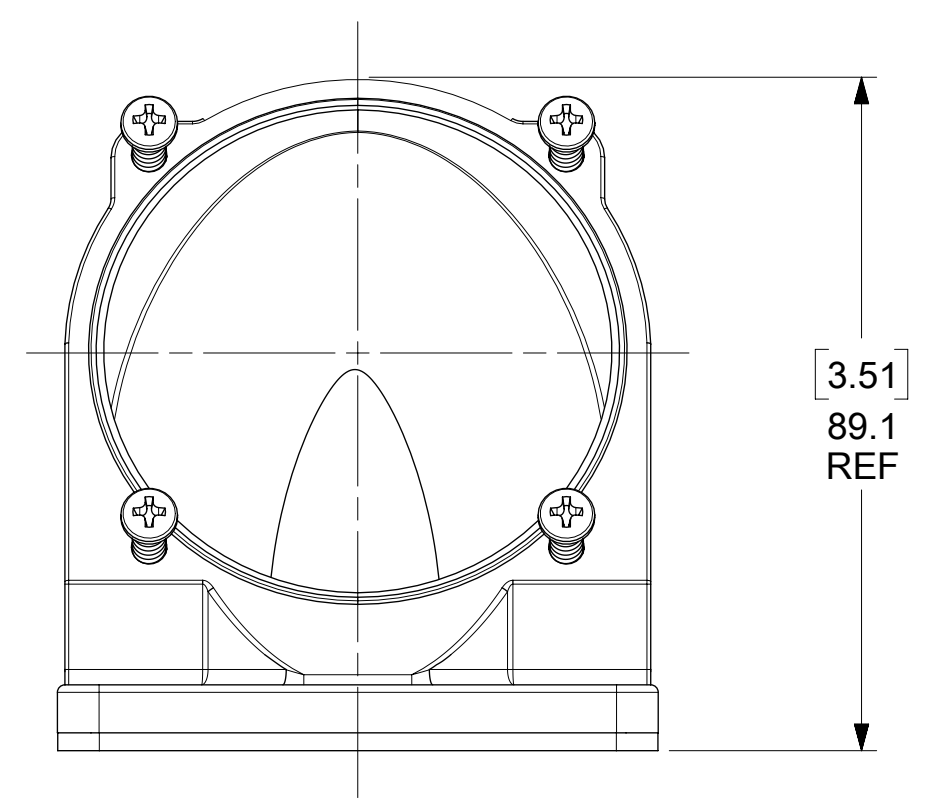


SELF TAPPING SCREWS
(SHOWN FOR REF. ONLY)



NOTES:

- MATERIAL:
 MOUNTING ANGLE - GREY PBT
 GASKET - BLACK EPDM
 SELF TAPPING SCREWS (TO ASSEMBLE TO DEVICE) - STAINLESS STEEL
 FS/FD BOX MOUNTING SCREWS - STAINLESS STEEL WITH EPDM O-RING (NOT SHOWN)
- AMBIENT OPERATING TEMPERATURE: -25°C (-13°F) TO 60°C (140°F)
 (WITH MAX. 30°C RISE ABOVE AMBIENT)

THIS DRAWING CONTAINS INFORMATION THAT IS PROPRIETARY TO MOLEX ELECTRONIC TECHNOLOGIES, LLC AND SHOULD NOT BE USED WITHOUT WRITTEN PERMISSION									
DIMENSION UNITS MM/INCH		SCALE 1:1		CURRENT REV DESC: GENERAL MARKET RELEASE					
GENERAL TOLERANCES (UNLESS SPECIFIED)				molex BOX MOUNTING ANGLE ASSEMBLY PRODUCT CUSTOMER DRAWING					
	MM	INCH							
4 PLACES	±	±							
3 PLACES	±	±							
2 PLACES	±	±							
1 PLACE	±	±		EC NO: 674097		2021/08/17			
0 PLACES	±	±		DRWN: MJANTELEZIO		2021/08/17			
ANGULAR TOL ± °				APPR: WLEUNG		2021/08/17			
DRAFT WHERE APPLICABLE MUST REMAIN WITHIN DIMENSIONS				THIRD ANGLE PROJECTION		DRAWING SERIES		DOCUMENT NUMBER	
				C-SIZE		112217		1122176002	
						GENERAL MARKET		PSD 000 A2	
						SHEET NUMBER		1 OF 1	

DOCUMENT STATUS	P1	RELEASE DATE	2021/08/17	21:15:15
-----------------	----	--------------	------------	----------