

Zilog, Inc.  
1590 Buckeye Drive  
Milpitas, CA 95035-7418

November 24, 2014

**Subject:** ZRE200BP End of Life (EOL)

Dear Valued Customer:

This is to inform you that due to lack of supply, Zilog can no longer offer the ZRE200BP Nicera pyroelectric sensors for Zilog's ZMOTION family. A limited quantity of pyros will be available for last time purchase.

The direct replacement is the ZRE200GE. The only difference between the ZRE200PB and ZRE200GE is the location of the lot number.

ZRE200GE: Lot# is marked on the top surface of housing.

ZRE200BP: Lot# is marked on the back side of housing.

In addition, the packing for the ZRE200GE will now come in trays (100 pcs/tray) instead of tubes (50 pcs/tube).

The following page shows the dimensional drawings of the current and replacement part. Based on Zilog's extensive testing of the replacement pyro, changes to the ZMOTION API settings should not be needed.

Samples for the ZRE200GE pyros are available upon request.

Should you have questions regarding this matter or need additional assistance, please contact [zservice@zilog.com](mailto:zservice@zilog.com).

Thank you for your continued interest in Zilog products and services.

Sincerely,

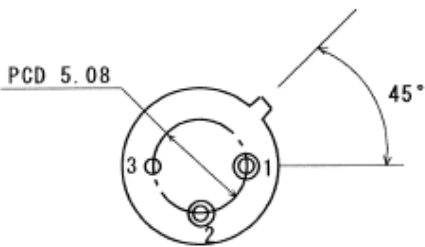
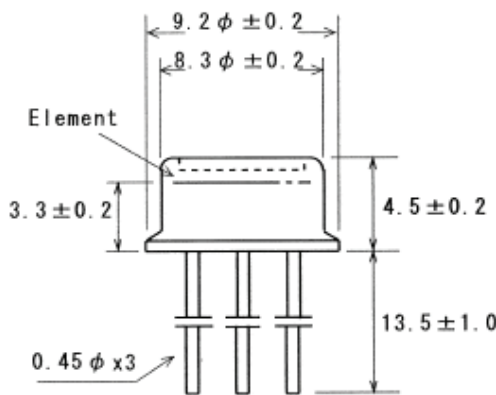
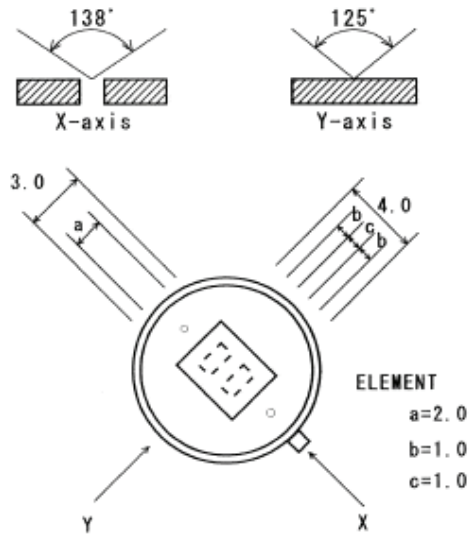


Digitally signed by Users, Sonia  
Daley  
Date: 2014.11.21 13:54:00  
-07'00'

Sonia Daley  
sdaley@zilog.com  
Director of Quality and Reliability  
Zilog-an IXYS Company

**Dimensional drawings of the current pyroelectric sensors and the replacement pyros**

**ZRE200BP (EOL)**

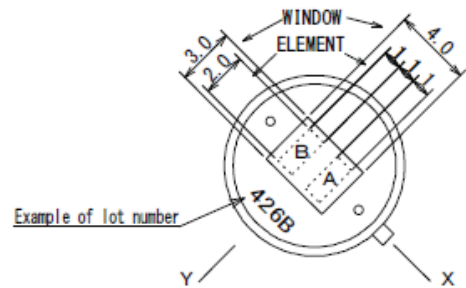


**ZRE200GE (Replacement)**

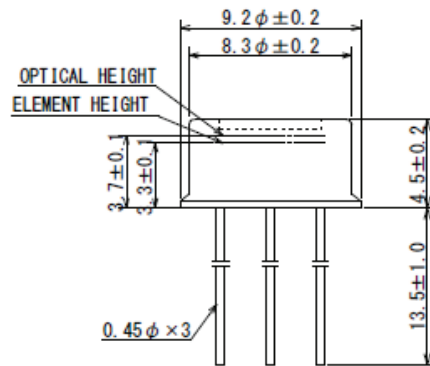
Field of view  
(Figure 1-a)



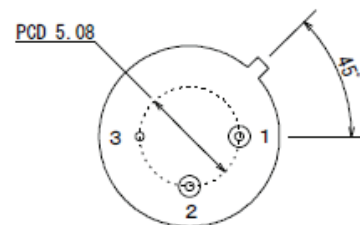
Top view  
(Figure 1-b)



Side view  
(Figure 1-c)



Base view  
(Figure 1-d)



- 1: Drain
  - 2: Source
  - 3: Ground
- unit : mm