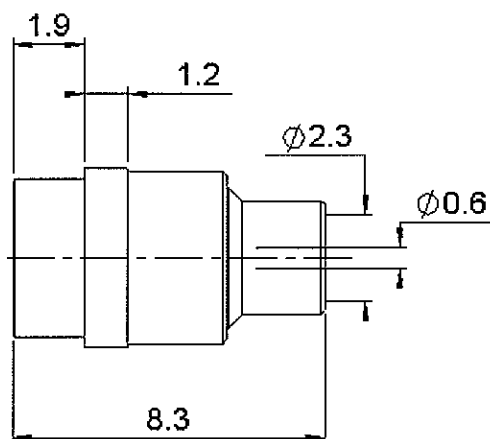
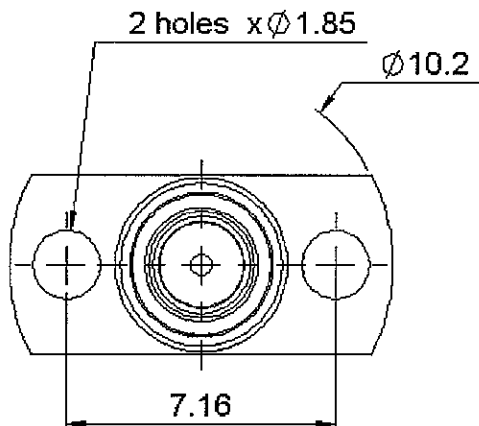


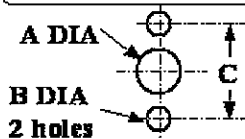
**TWO HOLE FLANGE MALE JACK**  
**LIMITED DETENT SOLDER TYPE CABLE .085**

**R222.252.301**

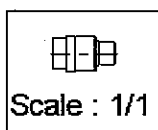
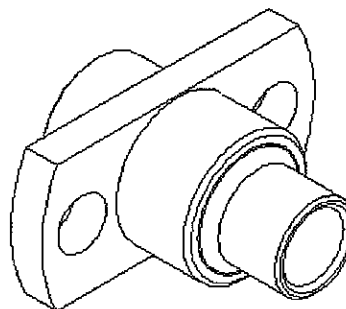
Series : SMP



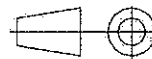
**PANEL CUT OUT**



	mm	
	Maxi	mini
<b>A</b>	4.8	4.7
<b>B</b>	1.9	1.8
<b>C</b>	7.2	7.1



All dimensions are in mm.



COMPONENTS	MATERIALS	PLATINGS (µm)
BODY	STAINLESS STEEL + BRASS	PASSIVATED + GOLD 1.3 OVER NICKEL 2
CENTER CONTACT	BERYLLIUM COPPER	GOLD 1.27 OVER NICKEL 1.27
OUTER CONTACT		
INSULATOR	PTFE	
GASKET		
OTHERS PARTS	-	
-	-	
-	-	

Issue : 0529 C

In the effort to improve our products, we reserve the right to make changes judged to be necessary.



**TWO HOLE FLANGE MALE JACK**  
**LIMITED DETENT SOLDER TYPE CABLE .085**

**R222.252.301**

Series : SMP

**PACKAGING**

Standard	Unit	Other
100	'W' option	Contact us

**SPECIFICATION**

**CABLE ASSEMBLY**

Stripping	a	b	c	d	e	f
mm	1.30	0.00	0.00	0.00	0.00	0.00

**ELECTRICAL CHARACTERISTICS**

Impedance		<b>50</b> Ω
Frequency		<b>0-40</b> GHz
VSWR	<b>1.50 +</b>	<b>0.000</b> x F(GHz) Maxi
Insertion loss		<b>0.12</b> √F(GHz) dB Maxi
RF leakage	<b>- (</b>	<b>*</b> - F(GHz) dB mini
Voltage rating		<b>335</b> Veff Maxi
Dielectric withstanding voltage		<b>500</b> Veff mini
Insulation resistance		<b>5000</b> MΩ mini

Assembly instruction :

Recommended cable(s)  
 RG 405  
 KS 1

Cable retention

- pull off **200** N mini
- torque **NA** N.cm

**MECHANICAL CHARACTERISTICS**

Center contact retention		
Axial force – Mating end	<b>NA</b>	N mini
Axial force – Opposite end	<b>NA</b>	N mini
Torque	<b>NA</b>	N.cm mini
Recommended torque		
Mating	<b>NA</b>	N.cm
Panel nut	<b>NA</b>	N.cm
Clamp nut	<b>NA</b>	N.cm
A/F clamp nut	<b>0.000</b>	mm
Mating life	<b>500</b>	Cycles mini
Weight	<b>0.753</b>	g

**TOOLING**

Part Number	Description	Hexagon
R282.051.000	STRIPPING TOOL	
R282.062.010	POINTER GAUGE	
R282.740.030	SOLDERING MOUNTING	
R282.743.100	POSITIONER FOR SOLDERING SMP	
R282.744.254	POSITIONER FOR SOLDERING SMP	
R282.862.120	SOLDER GAUGE THICK 1.83	

**ENVIRONMENTAL**

Operating temperature	<b>-65/+165</b>	°C
Hermetic seal	<b>NA</b>	Atm.cm3/s
Panel leakage	<b>NA</b>	

**OTHERS CHARACTERISTICS**

\*RF leakage: -80dB DC-3 GHz  
 -65dB 3-26.5 GHz  
 Compliant with MIL-STD-348

Issue : 0529 C

In the effort to improve our products, we reserve the right to make changes judged to be necessary.



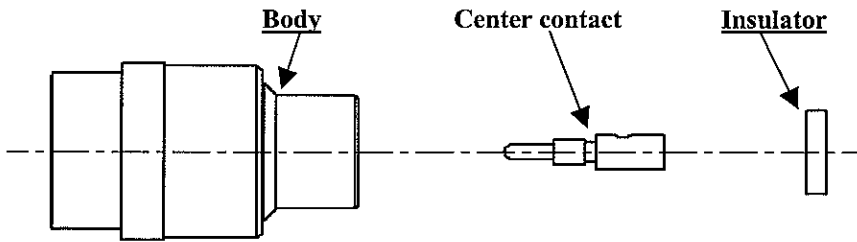
**RADIALL**®

**TWO HOLE FLANGE MALE JACK**  
**LIMITED DETENT SOLDER TYPE CABLE .085**

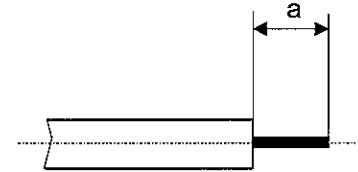
**R222.252.301**

Series : SMP

**COMPONENTS**



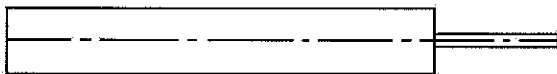
**STRIPPING CABLES**



We recommend a thermal preconditioning cable

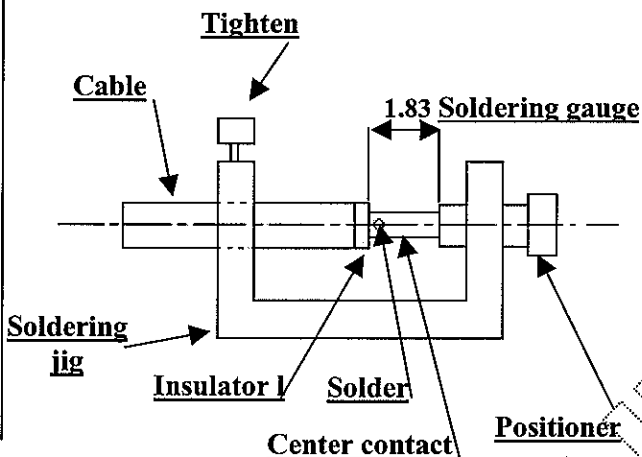
**1**

Strip the dielectric of the cable .  
 Clean the cable .  
 Soldering 180°C  
 Temperature stoking do not exceded 250°C



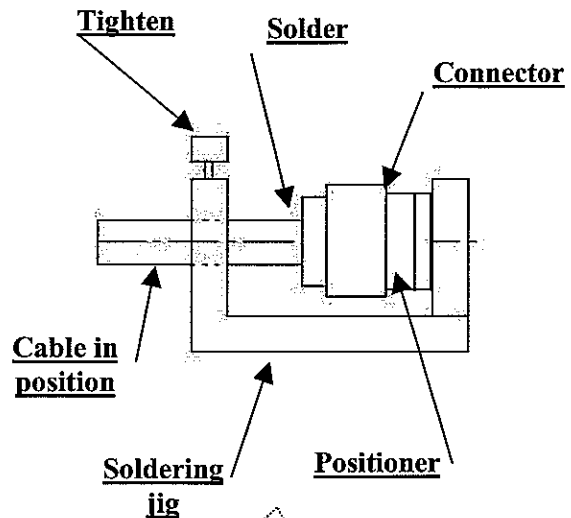
**2**

Screw the positoner onto the soldering jig.  
 Slide the center contact onto the cable inner conductor  
 against insulator.  
 Fit the cable assembly onto the soldering jig.  
 Insert the soldering gauge  
 Tighten.  
 Take off the soldering gauge.  
 and solder the contact.



**3**

After cooling remove cable assembly from the jig.  
 Insert cable+centre contact in the connector.  
 Slide the positioner in the connector interface.  
 Slide cable into the connector body until it bottoms  
 against.  
 Slide positoner into the assembly.  
 Tighten.  
 Solder the body onto the cable.  
 After cooling remove cable assembly from the jig.



Issue : 0529 C

In the effort to improve our products, we reserve the right to make changes judged to be necessary.

