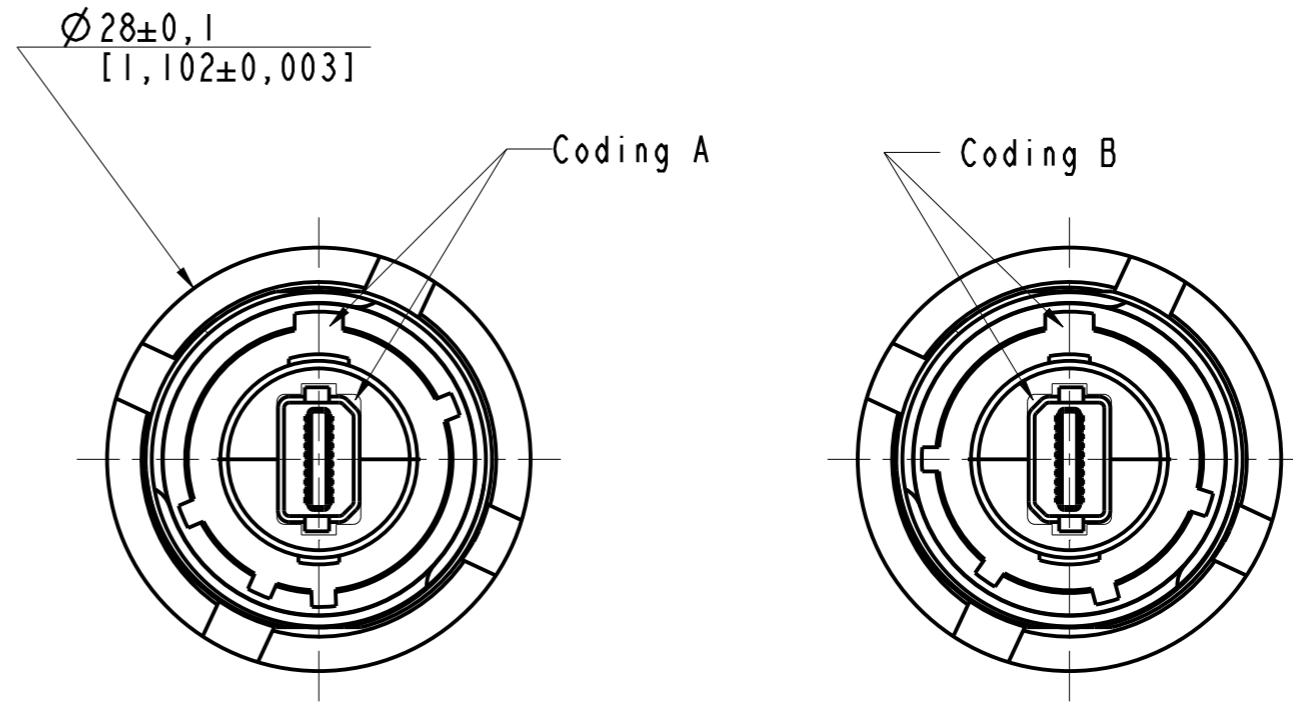
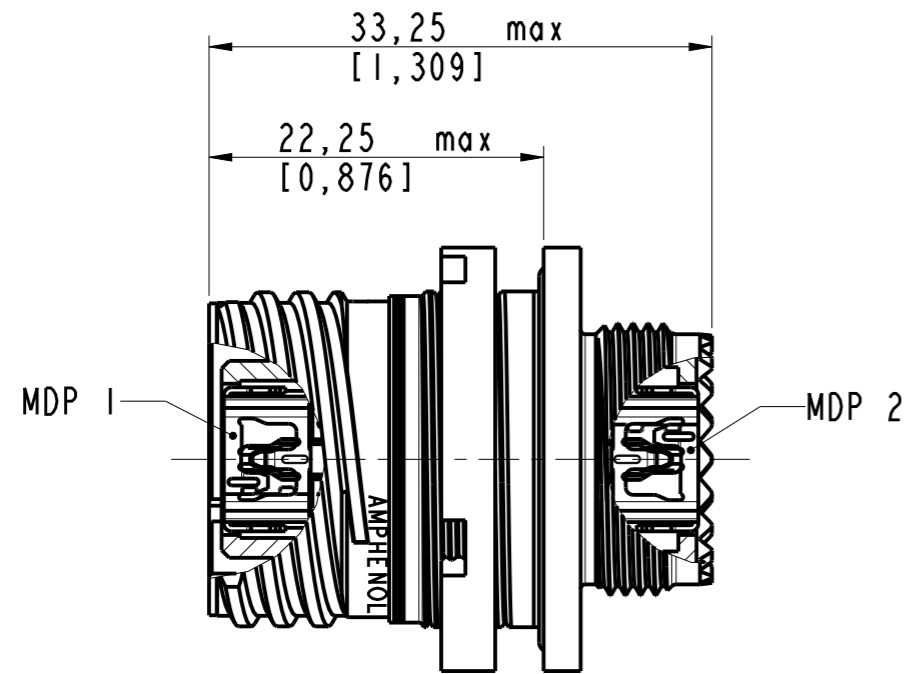


DANS LE BUT CONSTANT D'AMELIORER SES PRODUITS, Amphenol Socapex se reserve le droit d'en modifier toute cote ou caracteristique.  
IMP 036 A

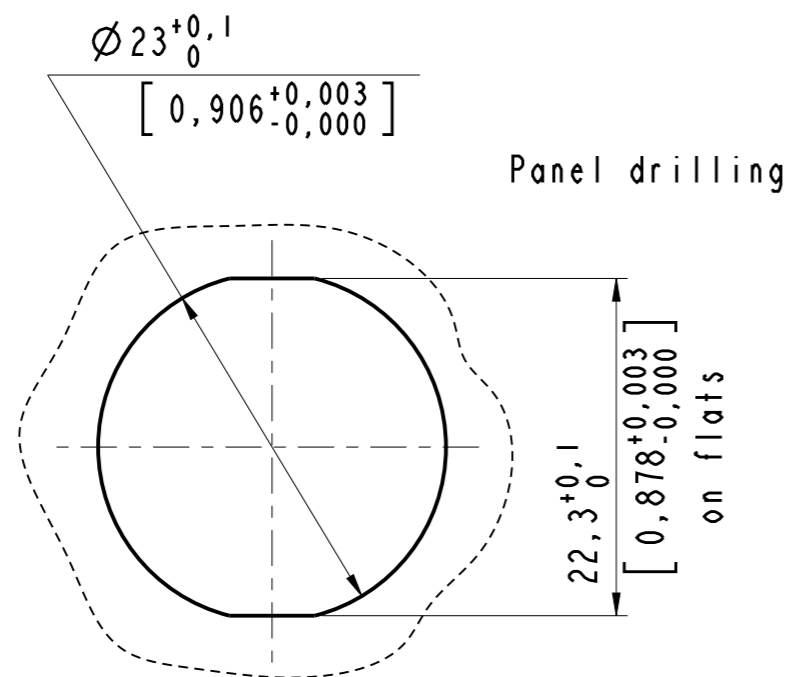


Possible references:

- MDP FTV 7 x G F312 olive drab cadmium plating
- MDP FTV 7 x N F312 nickel plating
- MDP FTV 7 x ZN F312 black zinc nickel plating

↑ Coding A or B

Product usable with male Mini Display Port cordset



Pin assignments				
MDP 1		MDP 2		
Signal type	N° pin	N° pin	Signal type	
GND	1	8	GND	
Out	3	12	In	
	5	10		
GND	7	13	GND	
Out	9	17	In	
	11	15		
GND	13	7	GND	
Out	15	11	In	
	17	9		
GND	19	19	GND	
In	2	2	Out	
CFG	4	4	CFG	
CFG	6	6	CFG	
GND	8	1	GND	
Out	10	5	In	
	12	3		
GND	14	14	GND	
I/O	16	16	I/O	
	18	18		
PWR out	20	20	PWR out	

MDP FTV 7 x x F312

MODIFICATIONS	A	Plan original	ECHELLE 2,000
	B	Updated drawing 10/10/17	

Amphenol Socapex  
BP 29 - 74311 THYEZ CEDEX

DESSIN: TUPIN le 31/01/17	
TECHNIQUE: GUYOMAR le 10/10/17	
<input checked="" type="checkbox"/> A	<input type="checkbox"/> B
191-PLC-749-00 1/1	