

FT3AN

(Former FOX923_A)

3.2mm x 2.5mm

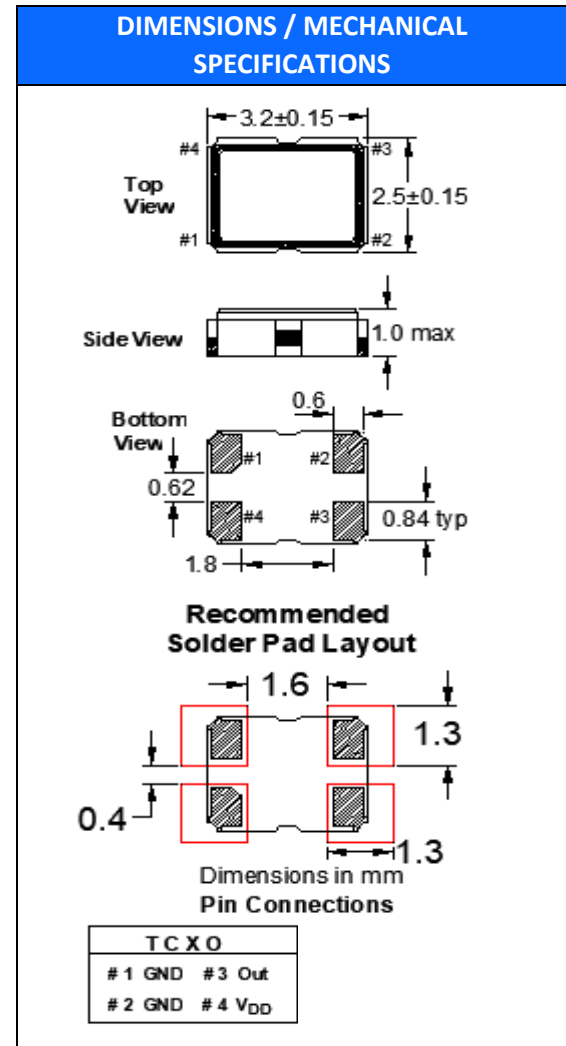
CSW-Sine TCXO



Features

- Analog Temperature Compensation

STANDARD SPECIFICATIONS	
PARAMETERS	MAX (Unless otherwise noted)
Frequency Range (MHz)	8 ~ 52.000
Temperature Range	
Operating (T _{OPR})	(See table below)
Storage (T _{STG})	-40°C ~ +90°C
Supply Voltage (V _{DD}) (±5%)	1.8V; 2.5V; 2.7V; 2.8V; 3.0V; 3.3V
Input Current (I _{DD})	2.0 mA
Initial Frequency Tolerance @ 25°C (after reflow)	±2.0 PPM
Frequency Stability	
Over Temperature Range	(See table below)
Over Supply Voltage Change (V _{DD} ±5%)	±0.2 PPM
Over Load Change [10kΩ//10pF]+-10%	±0.2 PPM
Output Voltage Level (V _{OL})	0.8V _{p-p} min
Output Voltage (VOL)	0.4V
Output Load	[10kΩ//10pF]+-10%
Pullability	
(T3AV: V _c = V _{DD} ±1.0V; T3AVK 0.9V±0.9V) ¹	±3 ~ ±15 PPM
Aging per year (@ 25°C)	±1.0 PPM
Startup Time (T _s)	3.0 mS
Phase Noise	
@ 1kHz offset	-130 dBc/Hz Typical
Reflow Soldering Temp	260°C / 10 Seconds x 2
Moisture Sensitivity Level (MSL)	1
Termination Finish	Au over Ni
Lead-Free	Yes
RoHS/REACH Compliant	Yes



Available Options by Stability & Operating Temp					
Operating Temperature	±1 PPM	±1.5 PPM	±2 PPM	±2.5 PPM	±15 PPM
-30 ~+85°C	O	O	O	O	NA
-40 ~+85°C	Δ	O	O	O	NA
-40 ~+105°C	X	X	X	X	O

Key: O=Available, X=Not Available, NA=Not Applicable, Δ = Consult Fox Engineering

All specifications subject to change without notice.

FT3AN

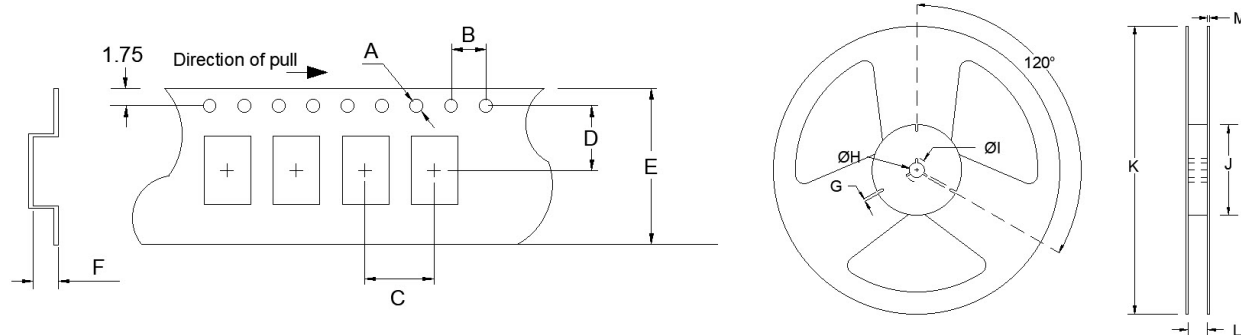
(Former FOX923_A)

3.2mm x 2.5mm

CSW-Sine TCXO



TAPE SPECIFICATIONS (mm)							REEL SPECIFICATIONS (mm)						
A	B	C	D	E	F	REEL QTY	G	H	I	J	K	L	M
ø1.5	4.0	4.0	3.5	8.0	1.4	-T3 = 3,000 default -T2 = 2,000 -T1 = 1,000	2.0	ø13	ø21	ø60	ø180	9.0	1.5



Available Options & Part Identification for TCXO Model T3AN¹

Sample PN: **FT3ANBPK25.0-T3**

F	T3AN	B	P	K	25.0	-T3
Fox	Model Number T3AN = TCXO	Tolerance B = +3.3V±5% D = +3.0V±5% Q = +2.8V±5% S = +2.7V±5% H = +2.5V±5% K = +1.8V±5%	Stability T = ±1.0 PPM S = ±1.5 PPM R = ±2.0 PPM P = ±2.5 PPM F = ±15 PPM	Operating Temperature K = -30 to +85°C M = -40 to +85°C P = -40 to +105°C	Frequency (MHz)	Values Added Options Blank = Bulk T1 = 1,000 pcs T2 = 2,000 pcs T3 = 3,000 pcs

¹ Not all frequencies in the frequency range, or every combination of stability, temp range, and voltage available. See stabilities/operating temp table.

Reliability Test Conditions

Please contact Abracon Quality Assurance department

INTERNAL ONLY INFORMATION