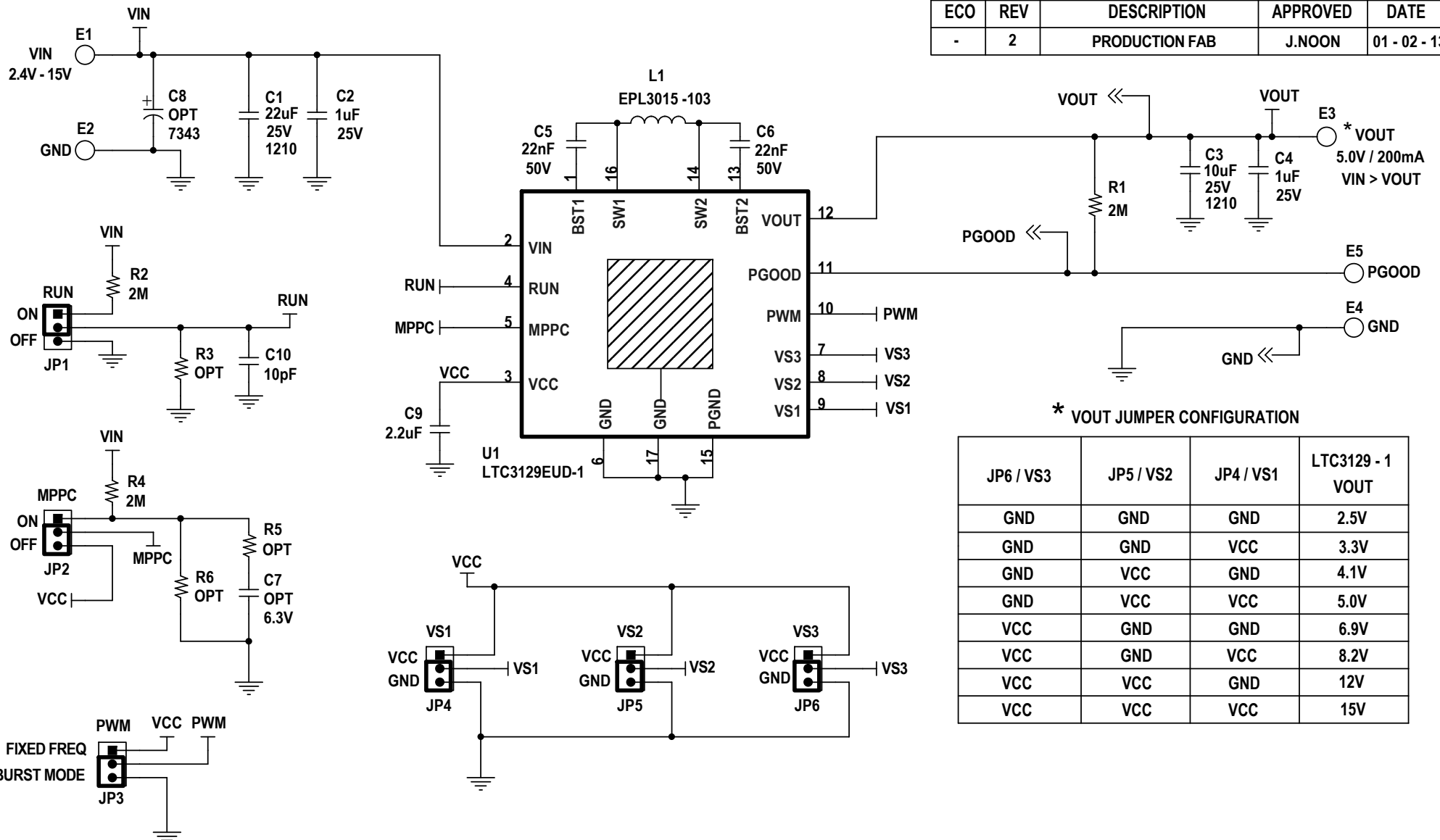


REVISION HISTORY				
ECO	REV	DESCRIPTION	APPROVED	DATE
-	2	PRODUCTION FAB	J.NOON	01 - 02 - 13



\* VOUT JUMPER CONFIGURATION

JP6 / VS3	JP5 / VS2	JP4 / VS1	LTC3129 - 1 VOUT
GND	GND	GND	2.5V
GND	GND	VCC	3.3V
GND	VCC	GND	4.1V
GND	VCC	VCC	5.0V
VCC	GND	GND	6.9V
VCC	GND	VCC	8.2V
VCC	VCC	GND	12V
VCC	VCC	VCC	15V

**CUSTOMER NOTICE**

LINEAR TECHNOLOGY HAS MADE A BEST EFFORT TO DESIGN A CIRCUIT THAT MEETS CUSTOMER-SUPPLIED SPECIFICATIONS; HOWEVER, IT REMAINS THE CUSTOMER'S RESPONSIBILITY TO VERIFY PROPER AND RELIABLE OPERATION IN THE ACTUAL APPLICATION. COMPONENT SUBSTITUTION AND PRINTED CIRCUIT BOARD LAYOUT MAY SIGNIFICANTLY AFFECT CIRCUIT PERFORMANCE OR RELIABILITY. CONTACT LINEAR TECHNOLOGY APPLICATIONS ENGINEERING FOR ASSISTANCE.

**APPROVALS**

PCB DES.	NC
APP ENG.	J.NOON



1630 McCarthy Blvd.  
Milpitas, CA 95035  
Phone: (408)432-1900 www.linear.com  
Fax: (408)434-0507  
LTC Confidential-For Customer Use Only

TITLE: SCHEMATIC  
**15V, 200mA SYNCHRONOUS BUCK - BOOST DC / DC CONVERTER WITH 1.3µA QUIESCENT CURRENT**

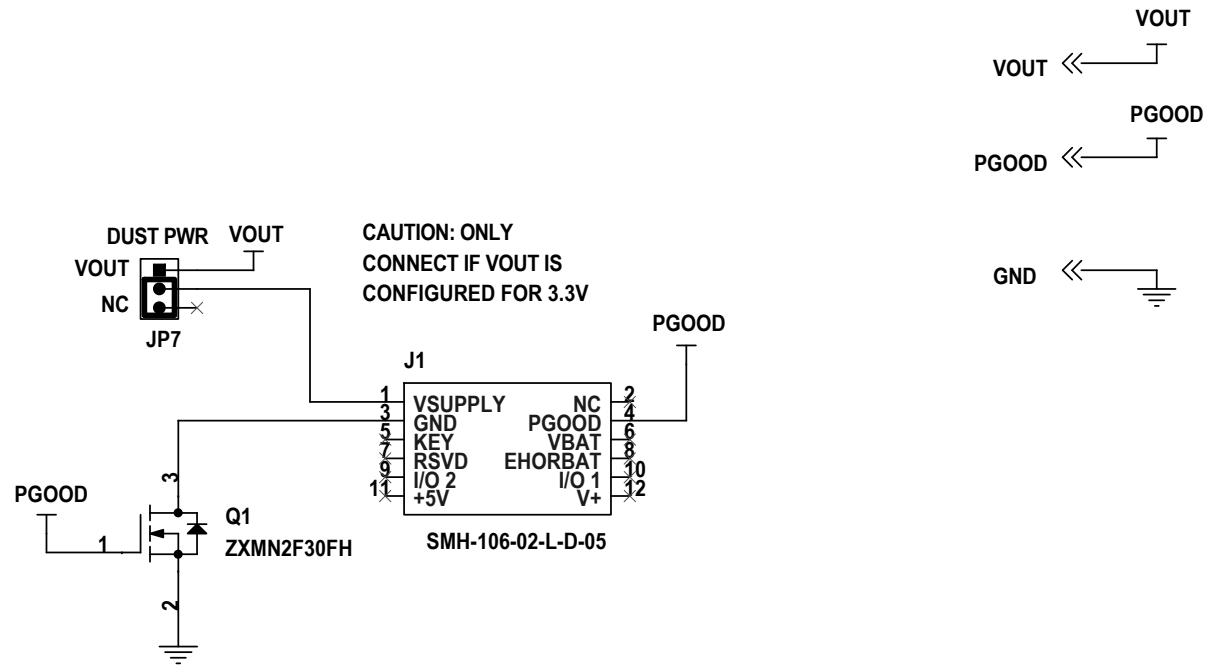
SIZE	IC NO.	LTC3129EUD-1	REV.
N/A		DEMO CIRCUIT 1923A	2

**NOTE: UNLESS OTHERWISE SPECIFIED**

- 1. ALL RESISTORS ARE IN OHMS, 0402
- ALL CAPACITORS ARE IN MICROFARADS, 0603.

THIS CIRCUIT IS PROPRIETARY TO LINEAR TECHNOLOGY AND SUPPLIED FOR USE WITH LINEAR TECHNOLOGY PARTS.

SCALE = NONE



**CUSTOMER NOTICE**

LINEAR TECHNOLOGY HAS MADE A BEST EFFORT TO DESIGN A CIRCUIT THAT MEETS CUSTOMER-SUPPLIED SPECIFICATIONS; HOWEVER, IT REMAINS THE CUSTOMER'S RESPONSIBILITY TO VERIFY PROPER AND RELIABLE OPERATION IN THE ACTUAL APPLICATION. COMPONENT SUBSTITUTION AND PRINTED CIRCUIT BOARD LAYOUT MAY SIGNIFICANTLY AFFECT CIRCUIT PERFORMANCE OR RELIABILITY. CONTACT LINEAR TECHNOLOGY APPLICATIONS ENGINEERING FOR ASSISTANCE.

THIS CIRCUIT IS PROPRIETARY TO LINEAR TECHNOLOGY AND SUPPLIED FOR USE WITH LINEAR TECHNOLOGY PARTS.

APPROVALS	
PCB DES.	NC
APP ENG.	J.NOON
SCALE = NONE	



1630 McCarthy Blvd.  
Milpitas, CA 95035  
Phone: (408)432-1900 [www.linear.com](http://www.linear.com)  
Fax: (408)434-0507  
LTC Confidential-For Customer Use Only

TITLE: SCHEMATIC		
<b>15V, 200mA SYNCHRONOUS BUCK - BOOST DC / DC CONVERTER WITH 1.3uA QUIESCENT CURRENT</b>		
SIZE N/A	IC NO. <b>LTC3129EUD-1 DEMO CIRCUIT 1923A</b>	REV. <b>2</b>
DATE: 01 -02 - 13		SHEET 2 OF 2