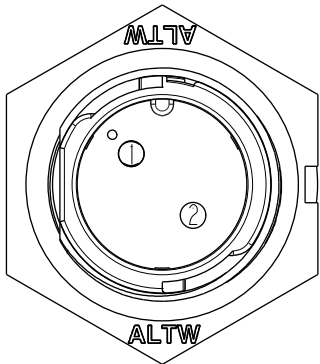
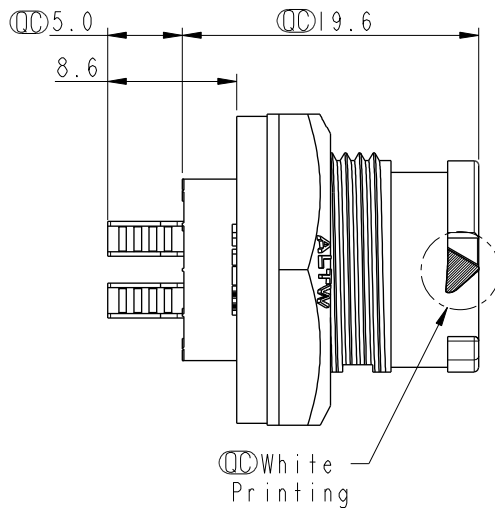
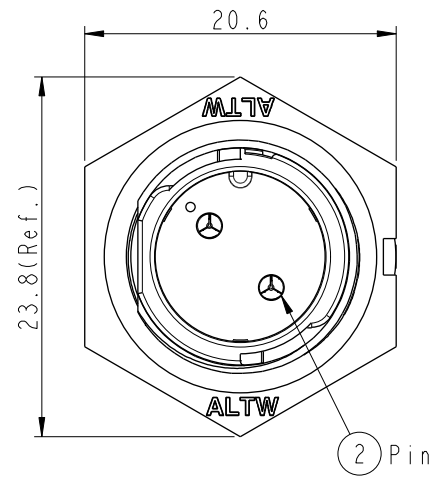
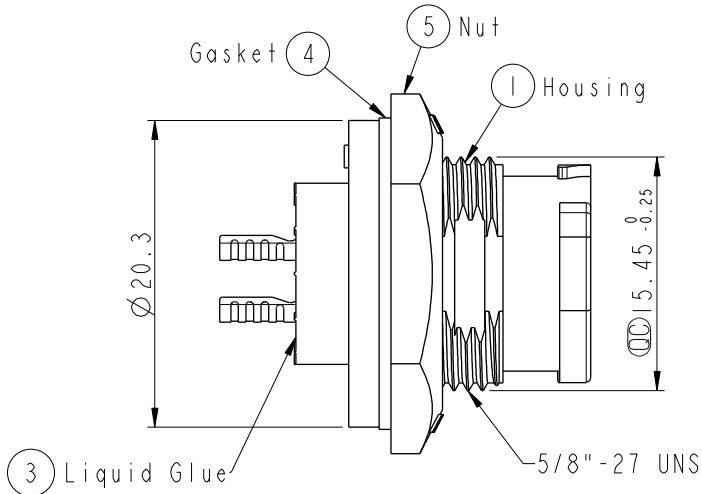
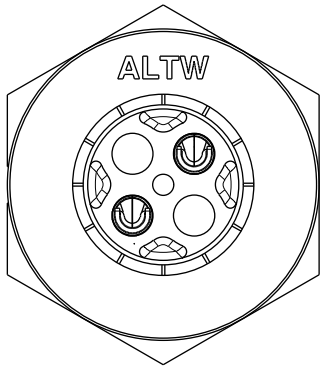
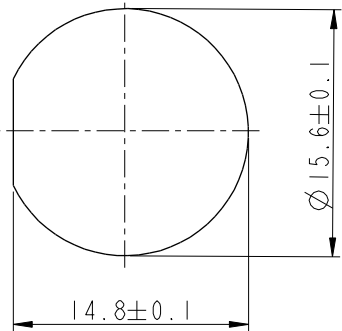


REV.	ECN NO.	DATE	SIGN	DESCRIPTION
B	CI90411	2019/03/14	Vicky	Change Note

ALTW
CONFIDENTIAL
2019-03-14
R&D DEPT.



Pin Assignments
Front View

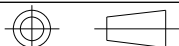


Recommended Panel Cut-out

Note:

- * \varnothing Important Dimension To Check.
- * Waterproof Rate: IP68, Unmated.
In 1 meter water within 24 hours
- * Housing: Thermoplastic, Black.
- * Pin: Copper Alloy, Gold Plated.
- * Nut: Thermoplastic, Black.
- * Gasket: Rubber, Gary.
- * Use Without Waterproof Cap
Panel Thickness Max: 4.0mm
- * Use With Waterproof Cap
Panel Thickness Max: 3.0mm
- * Gasket and Nut are packed separately
in PE bags.

UNIT:mm



TOLERANCE
X ±0.25

TITLE
X Lok B-Size Receptacle
Front Fastened M Conn M 2 Pin

SCALE 2:1	SIZE A4	SHEET 1	OF 1
REV. B	WC-REV. A.4	\varnothing : Inspection item	

Amphenol LTW
安費諾亮泰企業股份有限公司

ITEM NO BB-02PMMS-OC8001	DRAWN BY Vicky	DATE 2019-03-14
DWG NO BB-02PMMS-OC8001	CHECKED BY Rita	DATE 2019-03-14
CUSTOMER ALTW	APPROVED BY Max	DATE 2019-03-14

THIS DOCUMENT IS SUBJECT TO CHANGE WITHOUT NOTICE. IT IS CONFIDENTIAL AND A PROPERTY OF Amphenol LTW. DISCLOSURE TO THIRD PARTY HAS TO BE AUTHORIZED BY Amphenol LTW.