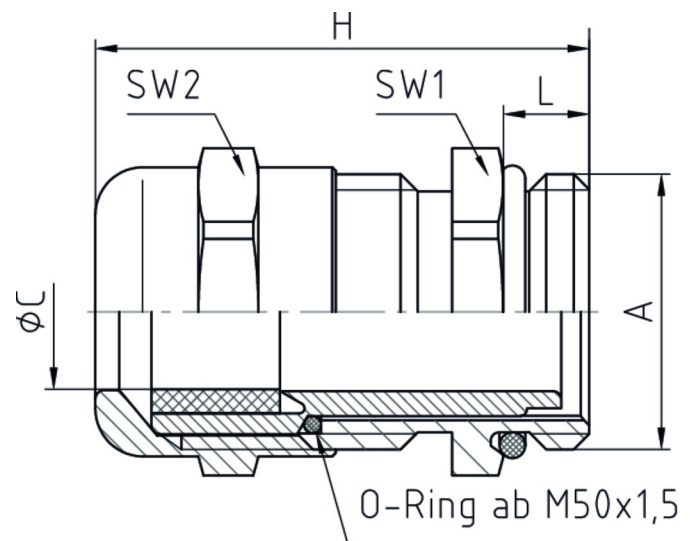


<b>Dome nut</b>	Stainless steel 1.4305
<b>Lamellar insert</b>	Polyamide PA6 V-2
<b>Sealing ring</b>	Polychloroprene-Nitrile rubber CR/NBR
<b>Gland body</b>	Stainless steel 1.4305
<b>O-ring</b>	Nitrile rubber NBR
<b>Connecting thread</b>	metric, as per EN 60423



### Properties

	<ul style="list-style-type: none"> <li>integrated anchorage</li> <li>protection against twisting</li> <li>wide sealing and clamping range</li> <li>easy-to-install</li> </ul>
<b>Temperature range</b>	-20 °C / +100 °C (dynamic) -40 °C (static, short term)
<b>Protection grade</b>	IP68 IP69K*
<b>Test standard</b>	UL 514B
<b>DNV GL Certificate</b>	TAE0000386
<b>UL / CSA-File</b>	E140310
<b>Comment</b>	details about test results - see annex, with sealing ring and O-ring made of FKM on request



### Features

Connecting thread standard length

A	ØC	L	SW1	SW2	H	VPE	Part No.
M12x1,5	3 - 6	5	14	14	25	50	50.612 ES
M16x1,5	5 - 9	5	17	17	30	50	50.616 ES
M20x1,5	9 - 13	6	22	22	33,5	50	50.620 ES
M25x1,5	11 - 16	7	27	27	36,5	50	50.625 ES
M32x1,5	14 - 20	8	34	34	38	25	50.632 ES
M40x1,5	19 - 27	8	43	43	41	10	50.640 ES
M50x1,5	24 - 35	9	55	55	49,5	5	50.650 ES
M63x1,5	32 - 42	10	65	65	52,5	5	50.663 ES

A

ØC

L

SW1

SW2

H



Part No.

\*IP69K tested for M12 - M25, M50, M63