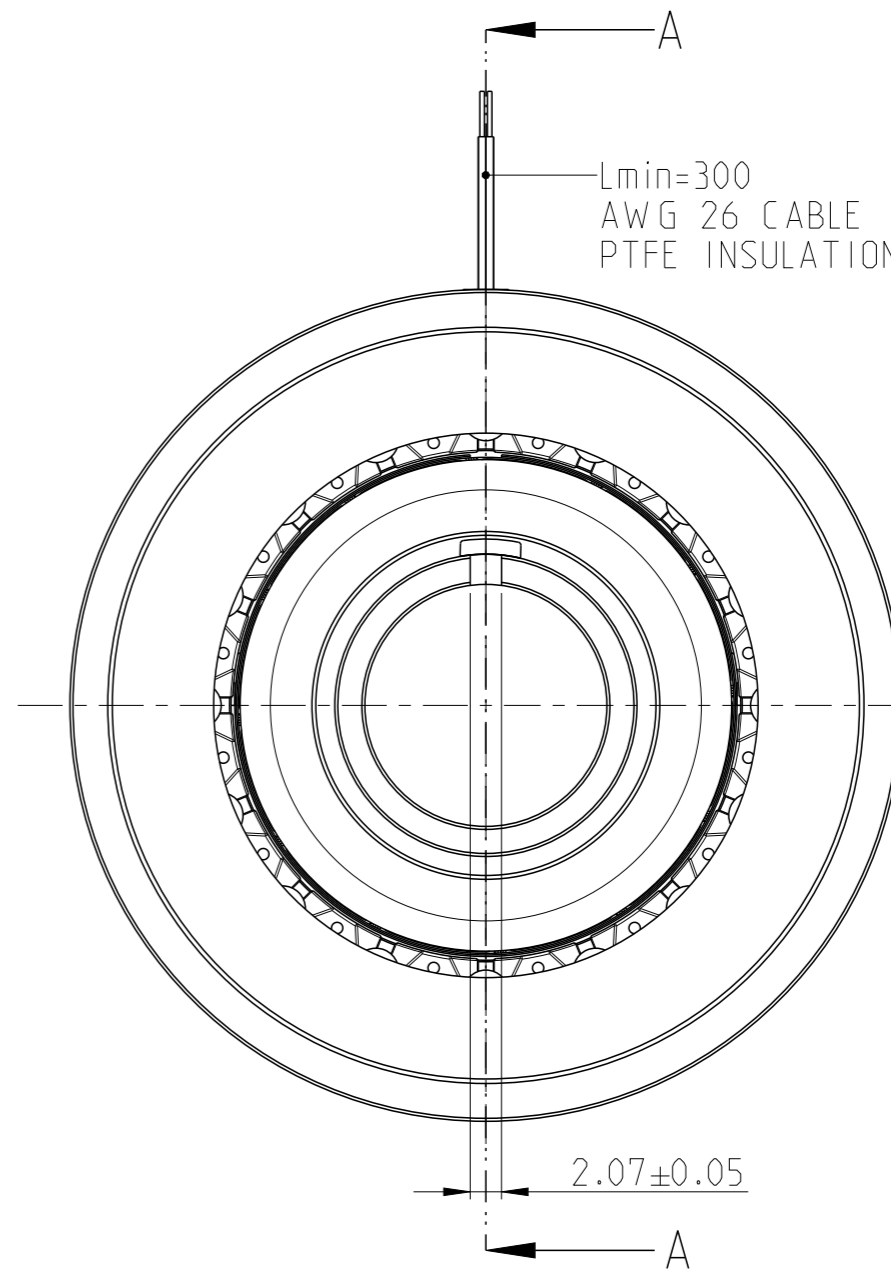
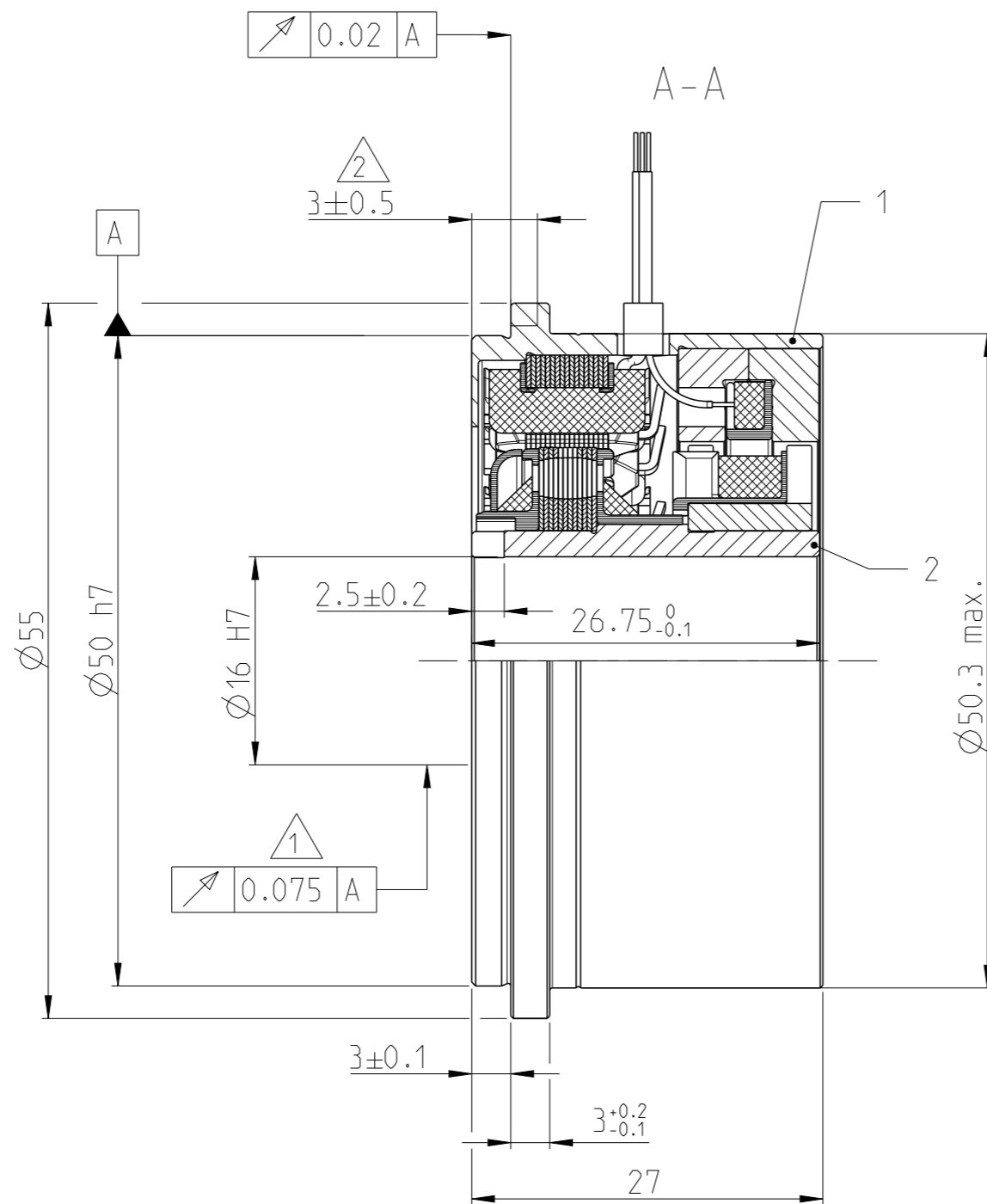
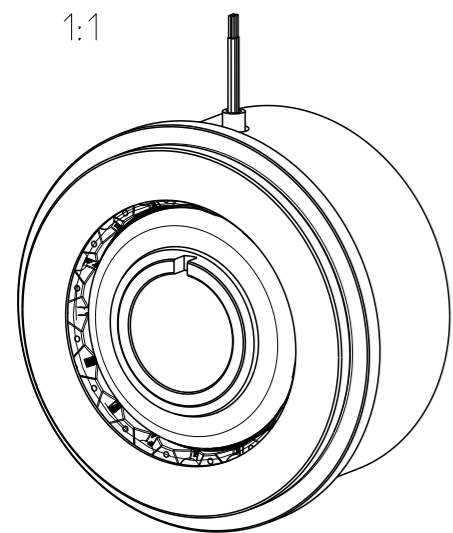


© 2022 TE Connectivity. All Rights Reserved.

SIGNAL	COLOR
S1	RED
S2	YELLOW
S3	BLACK
S4	BLUE
R1	RED/WHITE
R2	YELLOW/WHITE

REVISIONS					
P	LTR	DESCRIPTION	DATE	DWN	APVD
	A1	New Drawing	25AUG2005	Kr	An
	A2	ECR-06-017801	24 JUL 2006	Kr	An
	C1	ECR-09-018278	20 OCT 2009	Ma	An
	C2	ECR-22-153641	22 SEP 2022	Ka	HB

Ø16H7	+0.018 0
Ø50h7	0 -0.025



1 TOTAL RUNOUT WHEN INSTALLED
 2 AXIAL OFFSET

ITEM NO	PARTNUMBER	DESCRIPTION	ITEM NO
1	1824348-6	ROTOR COMPLETE TYPE T2002-B2	2
1	1824206-7	STATOR COMPLETE TYPE T2002	1
4-1393048-2	PARTNUMBER	DESCRIPTION	ITEM NO
REVISION OF EACH ASSY NO. (WHEN BLANK, USE DWG. REVISION)			
PARTS LIST			

THIS DRAWING IS A CONTROLLED DOCUMENT.

DIMENSIONS:	TOLERANCES UNLESS OTHERWISE SPECIFIED:
mm	0 PLC ±
	1 PLC ±
	2 PLC ±
	3 PLC ±
	4 PLC ±
	ANGLES ±
MATERIAL	FINISH

DWN	Kraus	03MAY2005
CHK	-	-
APVD	Andrae	24 JUL 2006
PRODUCT SPEC	-	-
APPLICATION SPEC	-	-
WEIGHT	-	-

		NAME	
		RESOLVER V23401-T2009-B202 4-1393048-2	
SIZE	CAGE CODE	DRAWING NO	RESTRICTED TO
A3	00779	4-1393048-2	-

CUSTOMER DRAWING SCALE 2:1 SHEET 1 OF 1 REV C2