

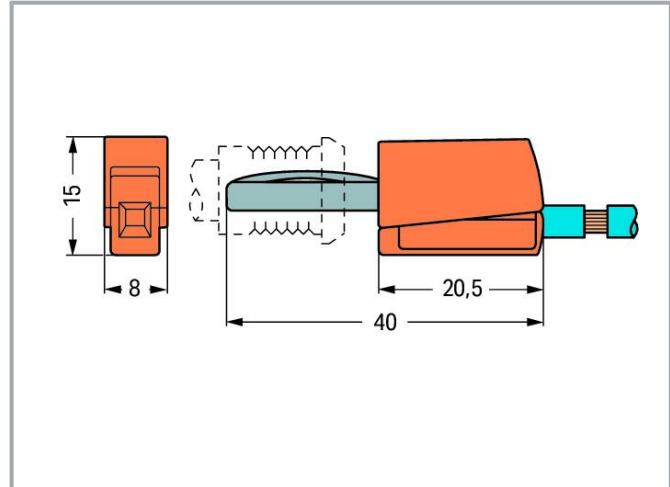
## Data sheet | Item number: 215-811

Banana plug; for socket 4 mm Ø; 2,50 mm<sup>2</sup>; gray

[www.wago.com/215-811](http://www.wago.com/215-811)



Color: —



### Data

#### Technical data

Main product function	Testing accessories
Total number of potentials	1

#### Electrical data

Rated current	20 A
Test voltage	42 V

#### Connection data

Connection technology	CAGE CLAMP®
Strip length	9 ... 11 mm / 0.35 ... 0.43 inches
Connection points	1
Solid conductor	0.08 ... 2.5 mm <sup>2</sup> / 28 ... 14 AWG
Fine-stranded conductor	0.08 ... 2.5 mm <sup>2</sup> / 28 ... 14 AWG

Subject to changes. Please also observe the further product documentation!

WAGO GmbH & Co. KG  
Hansastr. 27  
32423 Minden  
Phone: +49571 887-0 | Fax: +49571 887-169  
Email: [info.de@wago.com](mailto:info.de@wago.com) | Web: [www.wago.com](http://www.wago.com)

Do you have any questions about our products?  
We are always happy to take your call at +49 (571) 887-44222.



## Physical data

Width	8 mm / 0.315 inches
Height	15 mm / 0.591 inches
Depth	40 mm / 1.575 inches

## Material Data

Color	gray
Fire load	0.041 MJ
Weight	3.9 g

## Commercial data

Product Group	2 (Terminal Block Accessories)
eCl@ss 10.0	27-44-03-13
eCl@ss 9.0	27-44-03-13
ETIM 8.0	EC002255
ETIM 7.0	EC002255
PU (SPU)	50 pcs
Packaging type	box
Country of origin	DE
GTIN	4045454293550
Customs tariff number	85366990990

## Environmental Product Compliance

RoHS Compliance Status	Compliant, No Exemption
------------------------	-------------------------

## Downloads

### Documentation

#### Bid Text

215-811 X81 - Datei	2019 Feb 19	xml 3.1 kB	Download
215-811 doc - Datei	2017 Sep 19	doc 26.1 kB	Download

Subject to changes. Please also observe the further product documentation!

## CAD/CAE-Data

### CAE data

EPLAN Data Portal 215-811	<a href="#">URL</a>	<a href="#">Download</a>
WSCAD Universe 215-811	<a href="#">URL</a>	<a href="#">Download</a>

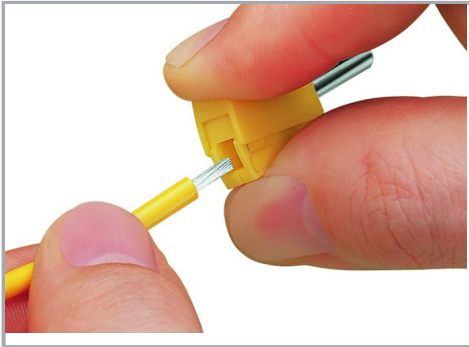
## Environmental Product Compliance

### Compliance Search

Environmental Product Compliance 215-811 Banana plug; for socket 4 mm Ø; 2,50 mm <sup>2</sup> ; gray	<a href="#">URL</a>	<a href="#">Download</a>
---	---------------------	--------------------------

## Installation Notes

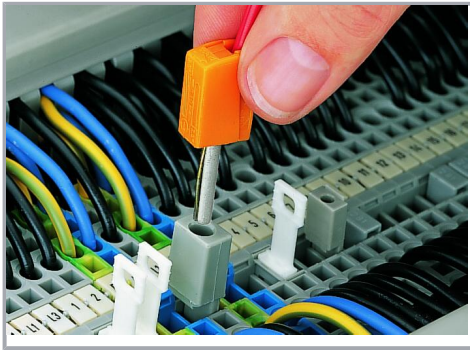
### Conductor termination



Conductor termination: Press button fully, insert stripped conductor into square entry and release.

### Testing

Subject to changes. Please also observe the further product documentation!



Testing via banana plug.

Picture shows a test plug adapter (209-170).

Subject to changes. Please also observe the further product documentation!