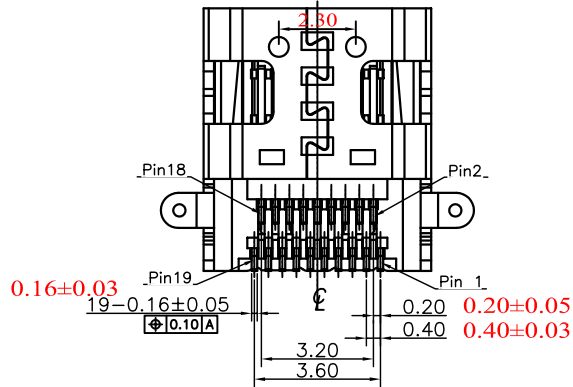
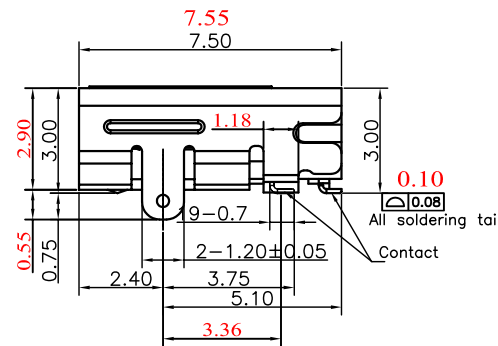
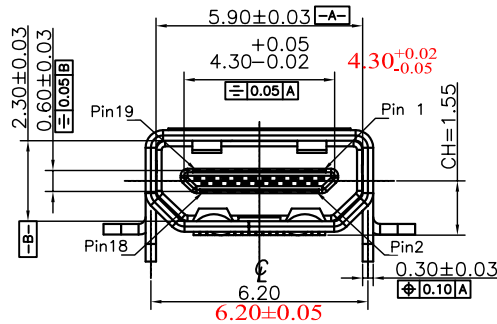
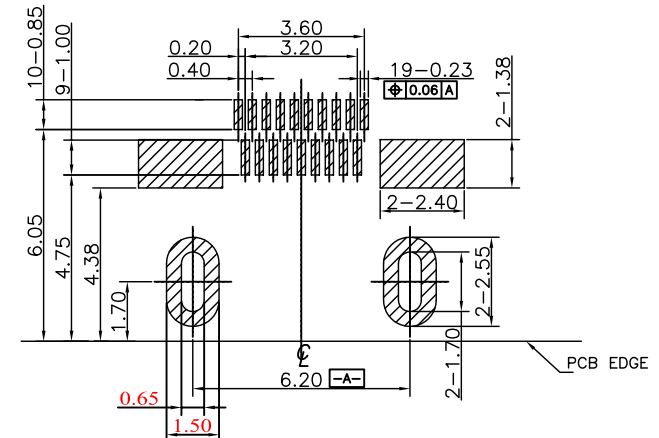
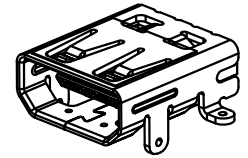


Receptacle and Plug Mated Condition



Specifications:
 Current Rating:0.3A
 Contact Resistance:Contact 30mΩ Max. changed (Final),
 Shell 50mΩ Max. Changed (Final);
 Insulation Resistance:10MΩ Min. @ 150V DC (Mated),
 100MΩ Min. @ 500V DC (Unmated)
 Withstanding Voltage:150V AC (RMS) for 1 minute (Mated),
 250V AC (RMS) for 1 minute (Unmated)
 Operating Temperature Range:-40°C To +85°C **-20 ~ 85°C**
 Mechanical Performance:
 Insertion force:44.1N (4.5Kgf) Max.
 Withdrawal force:4.9~25N (0.5~2.5Kgf) **5~25N**
 Durability life:5,000 Cycles
 IR Reflow:the peak temperature on board shall be
 maintained for 10 seconds at 260±5°C
 Material and Finish:
 Insulator:High Temp,Plastic(LCP UL94V-0)
 Insulator Color:Black
 Contact:Phosphor Copper **Copper Alloy**
 Plating:Gold Plating at mating area, Matte Tin or Au Plating at solder tail,
 all over Nickel
 Shell:Phosphor Copper **Copper Alloy**
 Plating:Nickel Plated



RECOMMENDED PCB LAYOUT(TOP VIEW)
 (TOLERANCE: ±0.05mm)

Note: Dimension in red represents old dimension

RoHS Compliant

				DRAWN:	GENERAL TOLERANCE: .X=±0.20 .XX=±0.15	<h1 style="text-align: center;">CnC Tech</h1> <p style="text-align: center;">Industrial Cable and Connector Technology</p>		
				CHECKED:	UNIT: MM			DESCRIPTION:
					SCALE:1:1	MICRO HDMI RECEPTACLE SMD TYPE C		A4
	05-FEB-2020			APPROVAL:	SHEET: 1 / 1			
REV	DATE	FILE	BY		PROJECTION:	2002-1-2-50-30-BK		