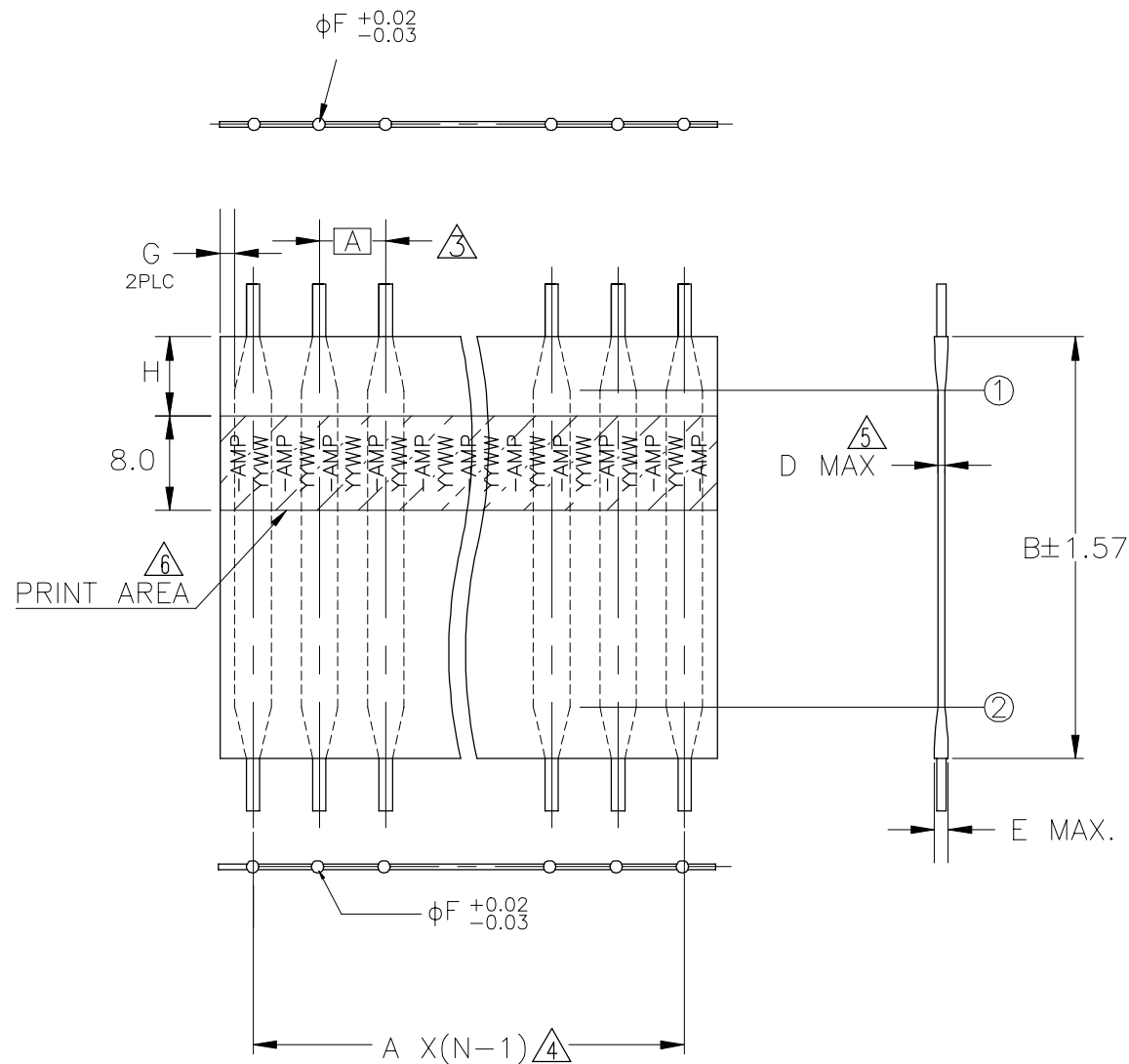


P	LTR	DESCRIPTION	DATE	DWN	APVD
	A18	REVISED	26APR2023	H.M	P.K

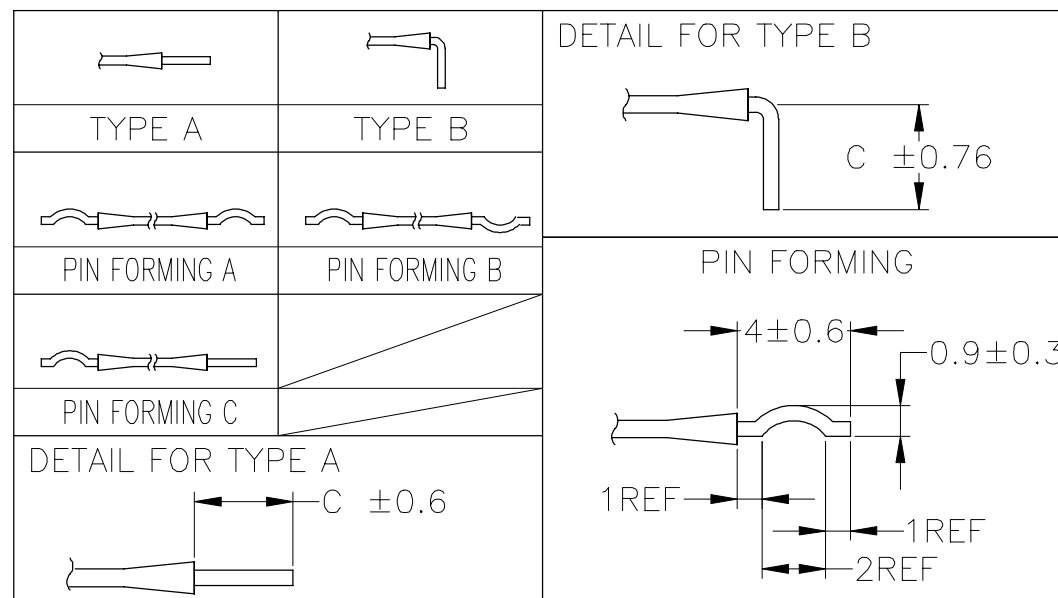


1. プリント基板スルーホール径:  $\phi 0.94 \pm 0.025$   
 また、スルーホールピッチ公差は  $\pm 0.127$  である (参考)  
 RECOMMENDED THROUGH HOLE DIA. FOR P.C.BOARD :  $\phi 0.94 \pm 0.025$   
 THROUGH HOLE PITCH TOLERANCE :  $\pm 0.127$
- △ 本仕様から逸脱する場合は、必ず仕様打合わせを行うこと。  
 THE SPECIFICATION NEEDS TO BE DISCUSSED WHEN ANY OTHER CHANGE HAPPENED.
- △ リード位置寸法は、リード根元寸法とする。  
 LEAD'S POSITIONAL DIMENSION IS MEASURED AT THE EDGE OF PAPER.
- △ 公差は以下の表を参照。  
 TOLERANCE CHART

PITCH	2~30PINS	31~50PINS
2.30~5.08	$\pm 0.35$	$\pm 0.40$
1.78~2.00	$\pm 0.30$	$\pm 0.35$
0.80~1.50	$\pm 0.30$	$\pm 0.35$

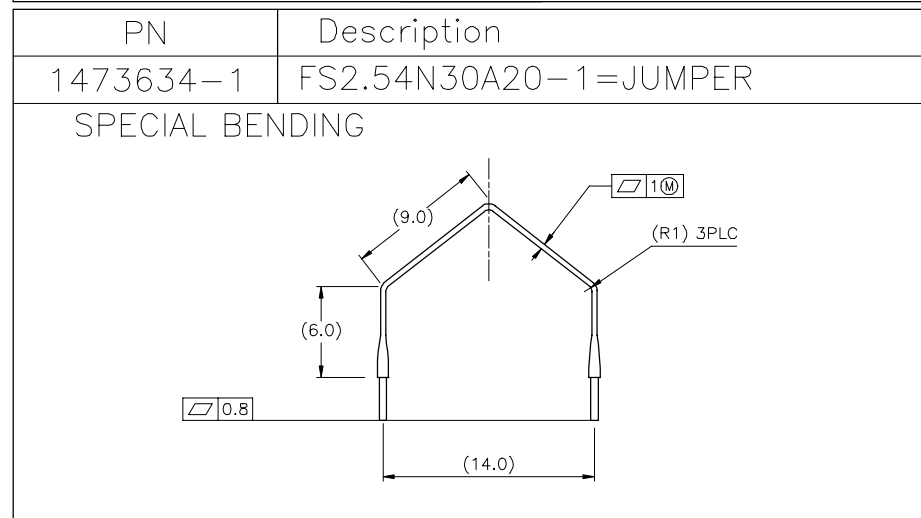
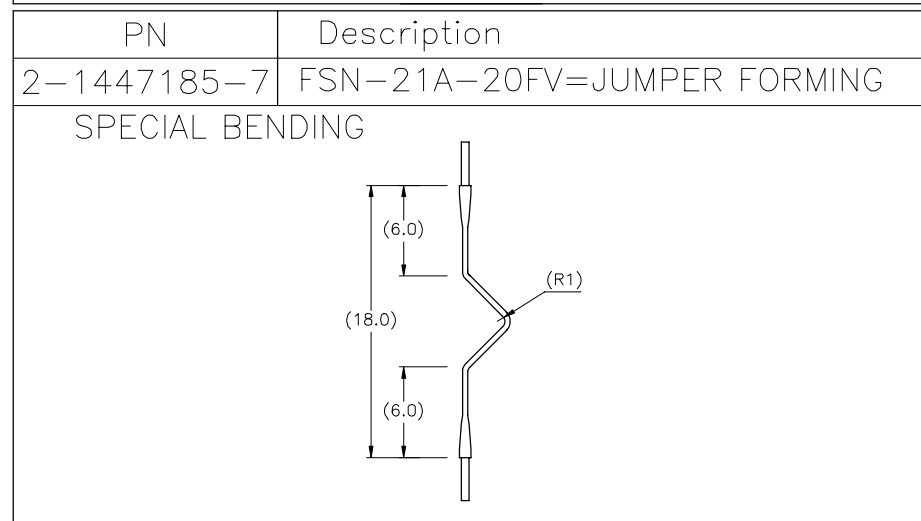
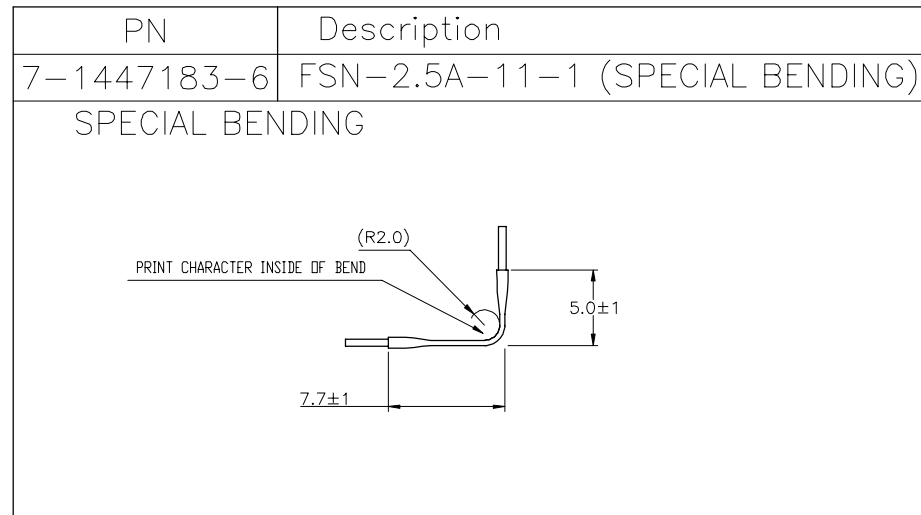
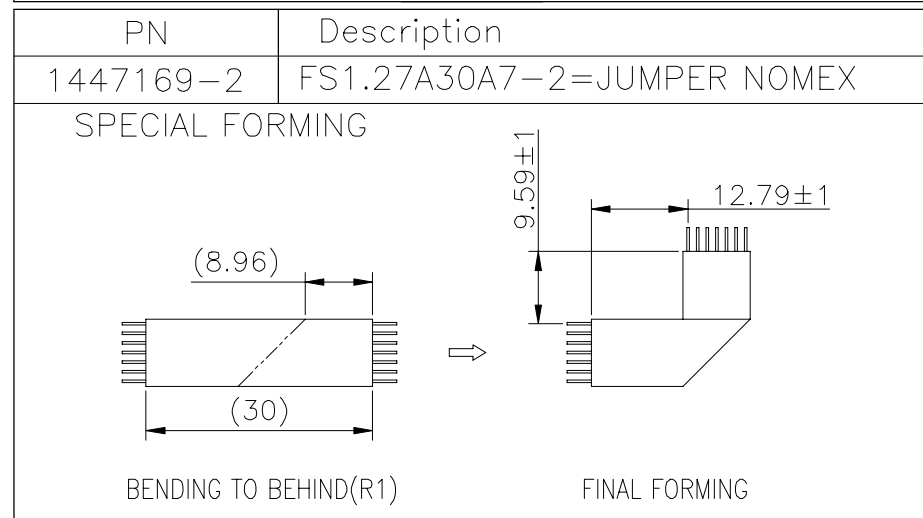
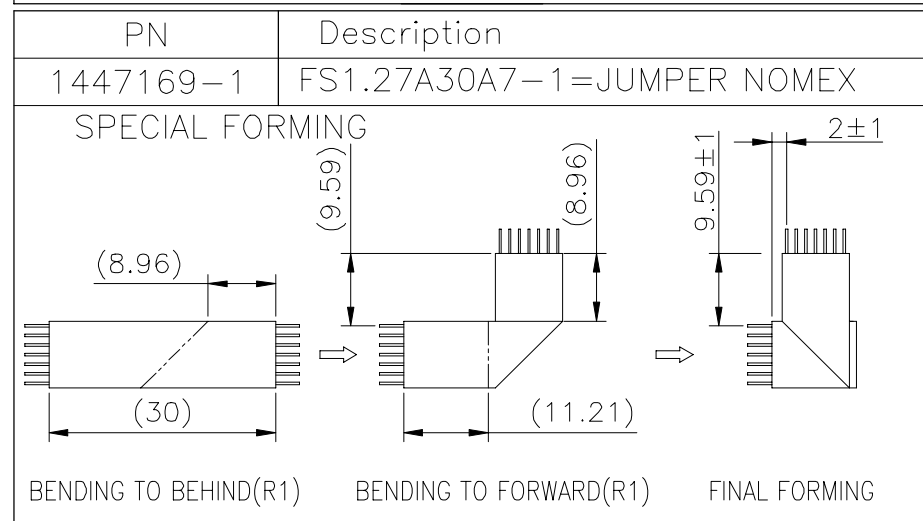
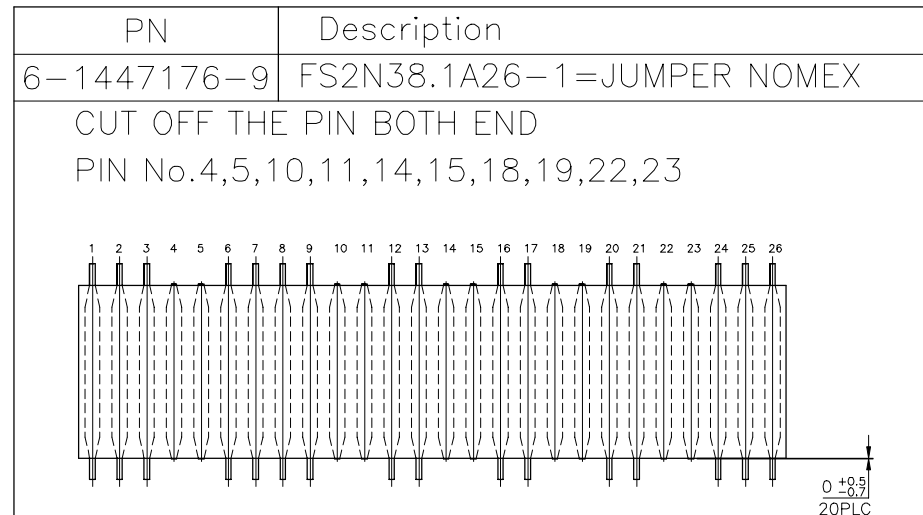
- △ D寸法は、① ~② 間のワイヤー部の厚さを指す。  
 DIMENSION D INDICATES WIRE THICKNESS BETWEEN ① AND ②.
- △ 製品に印字を行う。  
 PRINT ON PRODUCT.

PRINT CHARACTER	PRINT LOCATION	
-AMP	B	H
YYWW	12.7~16.0	1.0mm
	18.0~25.4	7.0mm
	28.0~152.4	10.0mm

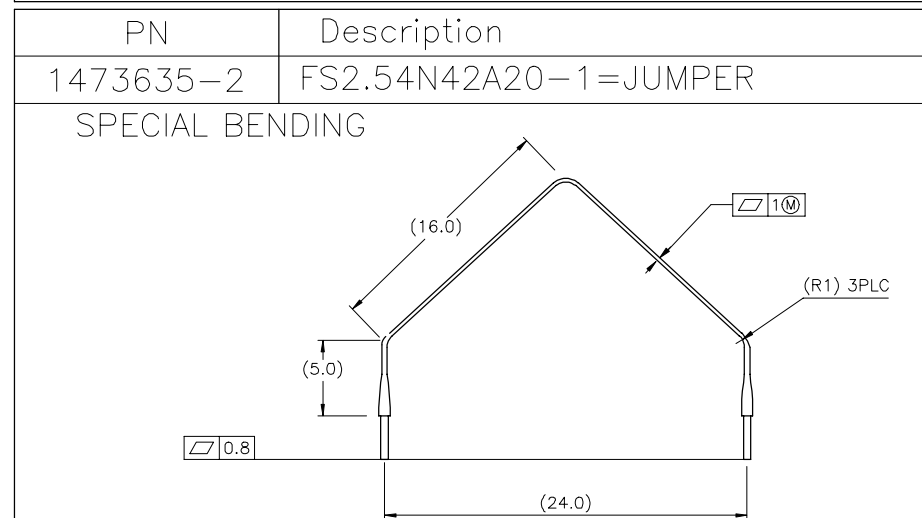
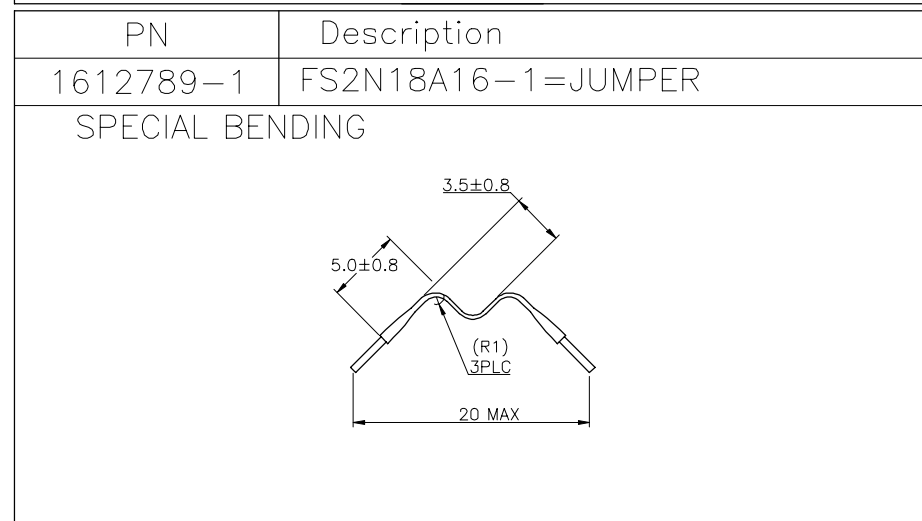
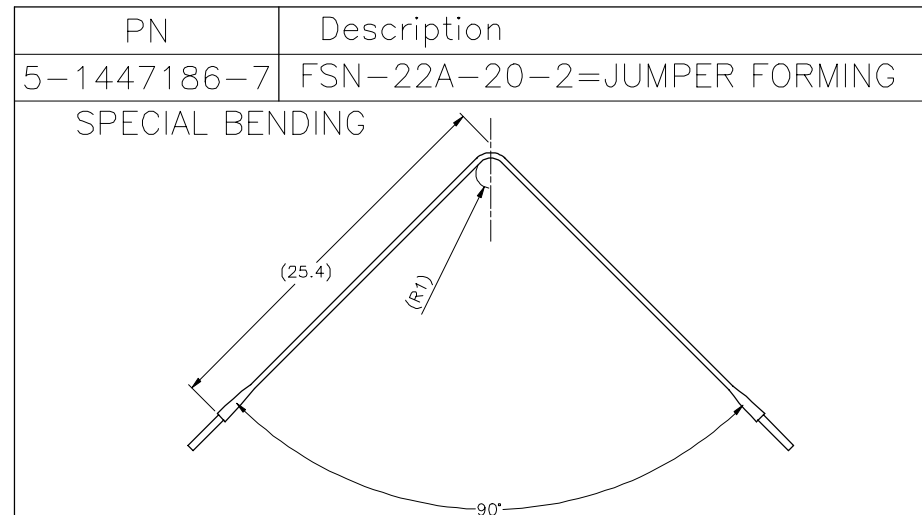


THIS DRAWING IS A CONTROLLED DOCUMENT.		DWN H.OSABE 14JAN2014	TE Connectivity Ltd.	
		CHK M.HARASAWA 14JAN2014		
		APVD N.YAMASAKI 14JAN2014	NAME FLEXSTRIP JUMPER	
DIMENSIONS: mm		PRODUCT SPEC 108-78002	RESTRICTED TO	
TOLERANCES UNLESS OTHERWISE SPECIFIED:		APPLICATION SPEC	SIZE A3	CAGE CODE 00779
0 PLC ± -		WEIGHT 0	DRAWING NO C=1447169	SCALE NTS
1 PLC ± -		SHEET 1 OF 10		
2 PLC ± -		REV A18		
3 PLC ± -		CUSTOMER DRAWING		
4 PLC ± -				
ANGLES ± -				
FINISH				


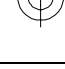
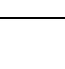



SPECIAL PROCESS 




REVISIONS					
P	LTR	DESCRIPTION	DATE	DWN	APVD
-	-	SEE SHEET 1	-	-	-



THIS DRAWING IS A CONTROLLED DOCUMENT.

DIMENSIONS:	TOLERANCES UNLESS OTHERWISE SPECIFIED:
mm	
	0 PLC ± -
	1 PLC ± -
	2 PLC ± -
	3 PLC ± -
	4 PLC ± -
	ANGLES ± -
	FINISH -


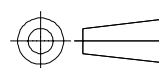
DWN	-
CHK	-
APVD	-
PRODUCT SPEC	108-78002
APPLICATION SPEC	-
WEIGHT	0

		TE Connectivity Ltd.	
NAME			
FLEXSTRIP JUMPER			
SIZE	CAGE CODE	DRAWING NO	RESTRICTED TO
A3	00779	C=1447169	-
CUSTOMER DRAWING		SCALE	SHEET
		NTS	2 OF 10
		REV	A18

P	LTR	DESCRIPTION	DATE	DWN	APVD
-	-	SEE SHEET 1	-	-	-

# FS1.27N, FS1.78N SERIES

P/N	Description	Pitch (A)	Tape Length (B)	Pin Length (C)	Tape Thickness (D)	Tape Thickness (E)	Pin Diameter (F)	Margin (G)	POS
1-1447169-7	FS1.27N18A8 =JUMPER NOME X	1.27	18.0	3.18	0.35MAX	0.84MAX	φ0.32	0.25MIN	8
1-1447169-5	FS1.27N18A11 =JUMPER NOME X	1.27	18.0	3.18	0.35MAX	0.84MAX	φ0.32	0.25MIN	11
1447169-1	FS1.27A30A7-1=JUMPER NOME X	1.27	30.0	3.18	0.35MAX	0.84MAX	φ0.32	0.25MIN	30
1447169-2	FS1.27A30A7-2=JUMPER NOME X	1.27	30.0	3.18	0.35MAX	0.84MAX	φ0.32	0.25MIN	30
2-1447169-8	FS1.27N33A30 =JUMPER NOME X	1.27	33.0	3.18	0.35MAX	0.84MAX	φ0.32	0.25MIN	30
7-1447169-8	FS1.78N25.4A30 =JUMPER NOME X	1.78	25.4	3.18	0.35MAX	0.84MAX	φ0.40	0.25MIN	30
8-1447169-4	FS1.78N38.1A21 =JUMPER NOME X PL2.5	1.78	38.1	2.50	0.35MAX	0.84MAX	φ0.40	0.25MIN	27
8-1447169-7	FS1.78N38.1A27 =JUMPER NOME X	1.78	38.1	3.18	0.35MAX	0.84MAX	φ0.40	0.25MIN	27
8-1447169-9	FS1.78N38.1A40 =JUMPER NOME X	1.78	38.1	3.18	0.35MAX	0.84MAX	φ0.40	0.25MIN	40
1447170-7	FS1.78N63.5A40 =JUMPER NOME X	1.78	63.5	3.18	0.35MAX	0.84MAX	φ0.40	0.25MIN	40
1447170-8	FS1.78N63.5A5 =JUMPER NOME X	1.78	63.5	3.18	0.35MAX	0.84MAX	φ0.40	0.25MIN	5
1-1447170-4	FS1.78N76.2A30=JUMPER NOME X	1.78	76.2	3.18	0.35MAX	0.84MAX	φ0.40	0.25MIN	30

THIS DRAWING IS A CONTROLLED DOCUMENT.		DWN	-	 TE Connectivity Ltd.	
DIMENSIONS: mm		CHK	-		
		APVD	-		
TOLERANCES UNLESS OTHERWISE SPECIFIED:		NAME		FLEXSTRIP JUMPER	
0 PLC ± -		PRODUCT SPEC		-	
1 PLC ± -		108-78002		-	
2 PLC ± -		APPLICATION SPEC		-	
3 PLC ± -		SIZE	A3	CAGE CODE	00779
4 PLC ± -		DRAWING NO	G=1447169		RESTRICTED TO
ANGLES ± -		WEIGHT	0		-
FINISH		CUSTOMER DRAWING		SCALE	NTS
-		SHEET		3 of 10	
-		REV		A18	


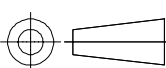
P	LTR	DESCRIPTION	DATE	DWN	APVD
-	-	SEE SHEET 1	-	-	-

# FS2.54N SERIES

P/N	Description	Pitch (A)	Tape Length (B)	Pin Length (C)	Tape Thickness (D)	Tape Thickness (E)	Pin Diameter (F)	Margin (G)	POS
9-1447170-8	FS2.54N15A18 =JUMPER NOMEX	2.54	15.0	3.18	0.35MAX	0.84MAX	φ0.51	0.25MIN	18
1447171-3	FS2.54N15A5 =JUMPER NOMEX	2.54	15.0	3.18	0.35MAX	0.84MAX	φ0.51	0.25MIN	5
1447171-5	FS2.54N15A8 =JUMPER NOMEX	2.54	15.0	3.18	0.35MAX	0.84MAX	φ0.51	0.25MIN	8
1447171-6	FS2.54N16A10 =JUMPER NOMEX	2.54	16.0	3.18	0.35MAX	0.84MAX	φ0.51	0.25MIN	10
2-1447171-0	FS2.54N17A8 =JUMPER NOMEX	2.54	17.0	3.18	0.35MAX	0.84MAX	φ0.51	0.25MIN	8
2-1447171-6	FS2.54N18A4 =JUMPER NOMEX	2.54	18.0	3.18	0.35MAX	0.84MAX	φ0.51	0.25MIN	4
3-1447171-5	FS2.54N20A20 =JUMPER NOMEX	2.54	20.0	3.18	0.35MAX	0.84MAX	φ0.51	0.25MIN	20
4-1447171-1	FS2.54N21A12 =JUMPER NOMEX	2.54	21.0	3.18	0.35MAX	0.84MAX	φ0.51	0.25MIN	12
4-1447171-9	FS2.54N30A10 =JUMPER NOMEX	2.54	30.0	3.18	0.35MAX	0.84MAX	φ0.51	0.25MIN	10
5-1447171-8	FS2.54N30A15 =JUMPER NOMEX	2.54	30.0	3.18	0.35MAX	0.84MAX	φ0.51	0.25MIN	15
6-1447171-2	FS2.54N30A17 =JUMPER NOMEX	2.54	30.0	3.18	0.35MAX	0.84MAX	φ0.51	0.25MIN	17
6-1447171-3	FS2.54N30A18 =JUMPER NOMEX	2.54	30.0	3.18	0.35MAX	0.84MAX	φ0.51	0.25MIN	18
6-1447171-6	FS2.54N30A20 =JUMPER NOMEX	2.54	30.0	3.18	0.35MAX	0.84MAX	φ0.51	0.25MIN	20
1473634-1	FS2.54N30A20-1=JUMPER	2.54	30.0	3.18	0.35MAX	0.84MAX	φ0.51	0.25MIN	20
7-1447171-0	FS2.54N30A21-35=JUMPER NOMEX	2.54	30.0	3.18	0.35MAX	0.84MAX	φ0.51	0.25MIN	21
8-1447171-3	FS2.54N30A4 =JUMPER NOMEX	2.54	30.0	3.18	0.35MAX	0.84MAX	φ0.51	0.25MIN	4
8-1447171-5	FS2.54N30A7 =JUMPER NOMEX	2.54	30.0	3.18	0.35MAX	0.84MAX	φ0.51	0.25MIN	7
8-1447171-8	FS2.54N30A9 =JUMPER NOMEX	2.54	30.0	3.18	0.35MAX	0.84MAX	φ0.51	0.25MIN	9
9-1447171-0	FS2.54N30A10 =JUMPER NOMEX	2.54	35.0	3.18	0.35MAX	0.84MAX	φ0.51	0.25MIN	10
9-1447171-3	FS2.54N35A13 =JUMPER NOMEX	2.54	35.0	3.18	0.35MAX	0.84MAX	φ0.51	0.25MIN	13
9-1447171-8	FS2.54N35A19 =JUMPER NOMEX	2.54	35.0	3.18	0.35MAX	0.84MAX	φ0.51	0.25MIN	19
2-1447172-0	FS2.54N40A22P39=JUMPER NOMEX	2.54	40.0	3.90	0.35MAX	0.84MAX	φ0.51	0.25MIN	22
2-1447172-9	FS2.54N40A28 =JUMPER NOMEX	2.54	40.0	3.18	0.35MAX	0.84MAX	φ0.51	0.25MIN	28
3-1447172-5	FS2.54N40A6 =JUMPER NOMEX	2.54	40.0	3.18	0.35MAX	0.84MAX	φ0.51	0.25MIN	6
3-1447172-7	FS2.54N40A8 =JUMPER NOMEX	2.54	40.0	3.18	0.35MAX	0.84MAX	φ0.51	0.25MIN	8
1473635-2	FS2.54N42A20-1=JUMPER	2.54	40.0	3.18	0.35MAX	0.84MAX	φ0.51	0.25MIN	20
1473635-1	FS2.54N42A20=JUMPER NOMEX	2.54	42.0	3.18	0.35MAX	0.84MAX	φ0.51	0.25MIN	20
1717056-4	FS2.54N5A15 =JUMPER NOMEX	2.54	55.0	3.18	0.35MAX	0.84MAX	φ0.51	0.25MIN	15
5-1447172-2	FS2.54N5A18=JUMPER NOMEX	2.54	55.0	3.18	0.35MAX	0.84MAX	φ0.51	0.25MIN	18
5-1447172-6	FS2.54N5A30 =JUMPER NOMEX	2.54	55.0	3.18	0.35MAX	0.84MAX	φ0.51	0.25MIN	30
5-1447172-7	FS2.54N5A6 =JUMPER NOMEX	2.54	55.0	3.18	0.35MAX	0.84MAX	φ0.51	0.25MIN	6
1717056-3	FS2.54N55A5 = JUMPER NOMEX	2.54	55.0	3.18	0.35MAX	0.84MAX	φ0.51	0.25MIN	5
5-1447172-9	FS2.54N68A22=JUMPER NOMEX	2.54	56.0	3.18/4.5	0.35MAX	0.84MAX	φ0.51	0.25MIN	22
6-1447172-3	FS2.54N70A17PA=JUMPER (PA4.0)	2.54	70.0	4.00	0.35MAX	0.84MAX	φ0.51	0.25MIN	17
6-1447172-9	FS2.54N81A29 =JUMPER NOMEX	2.54	81.0	3.18	0.35MAX	0.84MAX	φ0.51	0.25MIN	29

SEE SPECIAL PROCESS

SEE SPECIAL PROCESS

THIS DRAWING IS A CONTROLLED DOCUMENT.		DWN	-	 TE Connectivity Ltd.	
DIMENSIONS: mm		CHK	-		
		APVD	-		
TOLERANCES UNLESS OTHERWISE SPECIFIED:		PRODUCT SPEC	-		
MATERIAL		NAME	FLEXSTRIP JUMPER		RESTRICTED TO
FINISH		APPLICATION SPEC	108-78002		
		SIZE	CAGE CODE	DRAWING NO	
		WEIGHT	A3	00779	©=1447169
		CUSTOMER DRAWING	SCALE	NTS	SHEET 4 OF 10
				REV	A18

P	LTR	DESCRIPTION	DATE	DWN	APVD
-	-	SEE SHEET 1	-	-	-

# FS2N SERIES NO.1

SEE SPECIAL PROCESS

SEE SPECIAL PROCESS

PIN	Description	Pitch (A)	Tape Length (B)	Pin Length (C)	Tape Thickness (D)	Tape Thickness (E)	Pin Diameter (F)	Margin (G)	POS
7-1447173-2	FS2N101.6A12PA=JUMPER NOMEX	2.00	101.6	4.00	0.35MAX	0.84MAX	φ0.40	0.25MIN	12
7-1447173-7	FS2N101.6A15PA=JUMPER NOMEX PL4.5	2.00	101.6	4.5±0.5	0.35MAX	0.84MAX	φ0.40	0.25MIN	15
7-1447173-9	FS2N101.6A16PA=JUMPER NOMEX	2.00	101.6	4.00	0.35MAX	0.84MAX	φ0.40	0.25MIN	16
8-1447173-2	FS2N101.6A20=JUMPER NOMEX	2.00	101.6	3.18	0.35MAX	0.84MAX	φ0.40	0.25MIN	20
8-1447173-9	FS2N101.6A3=JUMPER NOMEX	2.00	101.6	3.18	0.35MAX	0.84MAX	φ0.40	0.25MIN	3
9-1447173-4	FS2N101.6A6=JUMPER NOMEX	2.00	101.6	3.18	0.35MAX	0.84MAX	φ0.40	0.25MIN	6
9-1447173-6	FS2N101.6A8=JUMPER NOMEX	2.00	101.6	3.18	0.35MAX	0.84MAX	φ0.40	0.25MIN	8
1-1447174-5	FS2N12.7A10=JUMPER NOMEX	2.00	12.7	3.18	0.35MAX	0.84MAX	φ0.40	0.25MIN	10
2-1447174-0	FS2N12.7A13=JUMPER NOMEX	2.00	12.7	3.18	0.35MAX	0.84MAX	φ0.40	0.25MIN	13
2-1447174-1	FS2N12.7A14=JUMPER NOMEX	2.00	12.7	3.18	0.35MAX	0.84MAX	φ0.40	0.25MIN	14
2-1447174-5	FS2N12.7A17=JUMPER NOMEX	2.00	12.7	3.18	0.35MAX	0.84MAX	φ0.40	0.25MIN	17
2-1447174-9	FS2N12.7A20=JUMPER NOMEX	2.00	12.7	3.18	0.35MAX	0.84MAX	φ0.40	0.25MIN	20
3-1447174-0	FS2N12.7A22=JUMPER NOMEX	2.00	12.7	3.18	0.35MAX	0.84MAX	φ0.40	0.25MIN	22
3-1447174-1	FS2N12.7A24=JUMPER NOMEX	2.00	12.7	3.18	0.35MAX	0.84MAX	φ0.40	0.25MIN	24
3-1447174-3	FS2N12.7A26=JUMPER NOMEX	2.00	12.7	3.18	0.35MAX	0.84MAX	φ0.40	0.25MIN	26
2-1447174-8	FS2N12.7A2=JUMPER NOMEX	2.00	12.7	3.18	0.35MAX	0.84MAX	φ0.40	0.25MIN	2
3-1447174-5	FS2N12.7A3=JUMPER NOMEX	2.00	12.7	3.18	0.35MAX	0.84MAX	φ0.40	0.25MIN	3
3-1447174-8	FS2N12.7A4=JUMPER NOMEX	2.00	12.7	3.18	0.35MAX	0.84MAX	φ0.40	0.25MIN	4
4-1447174-0	FS2N12.7A5=JUMPER NOMEX	2.00	12.7	3.18	0.35MAX	0.84MAX	φ0.40	0.25MIN	5
4-1447174-2	FS2N12.7A6=JUMPER NOMEX	2.00	12.7	3.18	0.35MAX	0.84MAX	φ0.40	0.25MIN	6
1437127-7	FS2N12.7A8=JUMPER NOMEX	2.00	12.7	3.18	0.35MAX	0.84MAX	φ0.40	0.25MIN	8
4-1447174-6	FS2N12.7A9=JUMPER NOMEX	2.00	12.7	3.18	0.35MAX	0.84MAX	φ0.40	0.25MIN	9
9-1447174-9	FS2N18A4=JUMPER NOMEX	2.00	18.0	3.18	0.35MAX	0.84MAX	φ0.40	0.25MIN	4
1612789-1	FS2N18A16=JUMPER	2.00	18.0	3.18	0.35MAX	0.84MAX	φ0.40	0.25MIN	16
1447175-5	FS2N20A18=JUMPER NOMEX	2.00	20.0	3.18	0.35MAX	0.84MAX	φ0.40	0.25MIN	18
1447175-9	FS2N20A9=JUMPER NOMEX	2.00	20.0	3.18	0.35MAX	0.84MAX	φ0.40	0.25MIN	9
1-1447175-5	FS2N25.4A10=JUMPER NOMEX	2.00	25.4	3.18	0.35MAX	0.84MAX	φ0.40	0.25MIN	10
2-1447175-1	FS2N25.4A12=JUMPER NOMEX	2.00	25.4	3.18	0.35MAX	0.84MAX	φ0.40	0.25MIN	12
2-1447175-5	FS2N25.4A12PA=JUMPER (PA4.0)	2.00	25.4	4.00	0.35MAX	0.84MAX	φ0.40	0.25MIN	12
2-1447175-6	FS2N25.4A13=JUMPER NOMEX	2.00	25.4	3.18	0.35MAX	0.84MAX	φ0.40	0.25MIN	13
3-1447175-2	FS2N25.4A14=JUMPER NOMEX	2.00	25.4	3.18	0.35MAX	0.84MAX	φ0.40	0.25MIN	14
3-1447175-7	FS2N25.4A16=JUMPER NOMEX	2.00	25.4	3.18	0.35MAX	0.84MAX	φ0.40	0.25MIN	16
4-1447175-0	FS2N25.4A17=JUMPER NOMEX	2.00	25.4	3.18	0.35MAX	0.84MAX	φ0.40	0.25MIN	17
4-1447175-3	FS2N25.4A19=JUMPER NOMEX	2.00	25.4	3.18	0.35MAX	0.84MAX	φ0.40	0.25MIN	19
4-1447175-4	FS2N25.4A2=JUMPER NOMEX	2.00	25.4	3.18	0.35MAX	0.84MAX	φ0.40	0.25MIN	2
4-1447175-6	FS2N25.4A20=JUMPER NOMEX	2.00	25.4	3.18	0.35MAX	0.84MAX	φ0.40	0.25MIN	20
4-1447175-9	FS2N25.4A21=JUMPER NOMEX	2.00	25.4	3.18	0.35MAX	0.84MAX	φ0.40	0.25MIN	21
5-1447175-0	FS2N25.4A22=JUMPER NOMEX	2.00	25.4	3.18	0.35MAX	0.84MAX	φ0.40	0.25MIN	22
5-1447175-2	FS2N25.4A23=JUMPER NOMEX	2.00	25.4	3.18	0.35MAX	0.84MAX	φ0.40	0.25MIN	23
5-1447175-4	FS2N25.4A25=JUMPER NOMEX	2.00	25.4	3.18	0.35MAX	0.84MAX	φ0.40	0.25MIN	25
5-1447175-6	FS2N25.4A26=JUMPER NOMEX	2.00	25.4	3.18	0.35MAX	0.84MAX	φ0.40	0.25MIN	26
6-1447175-1	FS2N25.4A3=JUMPER NOMEX	2.00	25.4	3.18	0.35MAX	0.84MAX	φ0.40	0.25MIN	3
6-1447175-4	FS2N25.4A30=JUMPER NOMEX	2.00	25.4	3.18	0.35MAX	0.84MAX	φ0.40	0.25MIN	30
6-1447175-5	FS2N25.4A32=JUMPER NOMEX	2.00	25.4	3.18	0.35MAX	0.84MAX	φ0.40	0.25MIN	32
6-1447175-9	FS2N25.4A4=JUMPER NOMEX	2.00	25.4	3.18	0.35MAX	0.84MAX	φ0.40	0.25MIN	4
7-1447175-1	FS2N25.4A5=JUMPER NOMEX	2.00	25.4	3.18	0.35MAX	0.84MAX	φ0.40	0.25MIN	5
7-1447175-3	FS2N25.4A59=JUMPER NOMEX	2.00	25.4	3.18	0.35MAX	0.84MAX	φ0.40	0.25MIN	59
7-1447175-4	FS2N25.4A6=JUMPER NOMEX	2.00	25.4	3.18	0.35MAX	0.84MAX	φ0.40	0.25MIN	6
7-1447175-6	FS2N25.4A7=JUMPER NOMEX	2.00	25.4	3.18	0.35MAX	0.84MAX	φ0.40	0.25MIN	7
8-1447175-0	FS2N25.4A8=JUMPER NOMEX	2.00	25.4	3.18	0.35MAX	0.84MAX	φ0.40	0.25MIN	8
8-1447175-4	FS2N25.4A9=JUMPER NOMEX	2.00	25.4	3.18	0.35MAX	0.84MAX	φ0.40	0.25MIN	9
1437127-8	FS2N29A20=JUMPER NOMEX	2.00	28.0	3.18	0.35MAX	0.84MAX	φ0.40	0.25MIN	20
1447176-6	FS2N30A25=JUMPER NOMEX	2.00	30.0	3.18	0.35MAX	0.84MAX	φ0.40	0.25MIN	25
1-1447176-2	FS2N32A15=JUMPER NOMEX	2.00	32.0	3.18	0.35MAX	0.84MAX	φ0.40	0.25MIN	15
2-1447176-1	FS2N35A7=JUMPER NOMEX	2.00	35.0	3.18	0.35MAX	0.84MAX	φ0.40	0.25MIN	7
1437127-9	FS2N36A20=JUMPER NOMEX	2.00	36.0	3.18	0.35MAX	0.84MAX	φ0.40	0.25MIN	20
2-1447176-4	FS2N38.1A10=JUMPER NOMEX	2.00	38.1	3.18	0.35MAX	0.84MAX	φ0.40	0.25MIN	10
2-1447176-6	FS2N38.1A11=JUMPER NOMEX	2.00	38.1	3.18	0.35MAX	0.84MAX	φ0.40	0.25MIN	11
2-1447176-7	FS2N38.1A12=JUMPER NOMEX	2.00	38.1	3.18	0.35MAX	0.84MAX	φ0.40	0.25MIN	12
3-1447176-1	FS2N38.1A13=JUMPER NOMEX	2.00	38.1	3.18	0.35MAX	0.84MAX	φ0.40	0.25MIN	13
3-1447176-6	FS2N38.1A14=JUMPER NOMEX	2.00	38.1	3.18	0.35MAX	0.84MAX	φ0.40	0.25MIN	14
4-1447176-0	FS2N38.1A15=JUMPER NOMEX	2.00	38.1	3.18	0.35MAX	0.84MAX	φ0.40	0.25MIN	15
4-1447176-7	FS2N38.1A16=JUMPER NOMEX	2.00	38.1	3.18	0.35MAX	0.84MAX	φ0.40	0.25MIN	16
5-1447176-1	FS2N38.1A16PA=JUMPER (PA4.0)	2.00	38.1	3.18	0.35MAX	0.84MAX	φ0.40	0.25MIN	16
5-1447176-2	FS2N38.1A17=JUMPER NOMEX	2.00	38.1	3.18	0.35MAX	0.84MAX	φ0.40	0.25MIN	17
5-1447176-3	FS2N38.1A18=JUMPER NOMEX	2.00	38.1	3.18	0.35MAX	0.84MAX	φ0.40	0.25MIN	18
5-1447176-5	FS2N38.1A19=JUMPER NOMEX	2.00	38.1	3.18	0.35MAX	0.84MAX	φ0.40	0.25MIN	19
5-1447176-7	FS2N38.1A2=JUMPER NOMEX	2.00	38.1	3.18	0.35MAX	0.84MAX	φ0.40	0.25MIN	2
5-1447176-8	FS2N38.1A20=JUMPER NOMEX	2.00	38.1	3.18	0.35MAX	0.84MAX	φ0.40	0.25MIN	20
5-1447176-9	FS2N38.1A21=JUMPER NOMEX	2.00	38.1	3.18	0.35MAX	0.84MAX	φ0.40	0.25MIN	21
6-1447176-1	FS2N38.1A22=JUMPER NOMEX	2.00	38.1	3.18	0.35MAX	0.84MAX	φ0.40	0.25MIN	22
6-1447176-3	FS2N38.1A23=JUMPER NOMEX	2.00	38.1	3.18	0.35MAX	0.84MAX	φ0.40	0.25MIN	23
6-1447176-4	FS2N38.1A24=JUMPER NOMEX	2.00	38.1	3.18	0.35MAX	0.84MAX	φ0.40	0.25MIN	24
6-1447176-6	FS2N38.1A25=JUMPER NOMEX	2.00	38.1	3.18	0.35MAX	0.84MAX	φ0.40	0.25MIN	25
6-1447176-8	FS2N38.1A26=JUMPER NOMEX	2.00	38.1	3.18	0.35MAX	0.84MAX	φ0.40	0.25MIN	26
7-1447176-9	FS2N38.1A26-1=JUMPER NOMEX	2.00	38.1	3.18	0.35MAX	0.84MAX	φ0.40	0.25MIN	26
7-1447176-5	FS2N38.1A29=JUMPER NOMEX	2.00	38.1	3.18	0.35MAX	0.84MAX	φ0.40	0.25MIN	29
7-1447176-6	FS2N38.1A3=JUMPER NOMEX	2.00	38.1	3.18	0.35MAX	0.84MAX	φ0.40	0.25MIN	3
7-1447176-9	FS2N38.1A31=JUMPER NOMEX	2.00	38.1	3.18	0.35MAX	0.84MAX	φ0.40	0.25MIN	31
8-1447176-4	FS2N38.1A4=JUMPER NOMEX	2.00	38.1	3.18	0.35MAX	0.84MAX	φ0.40	0.25MIN	4
8-1447176-7	FS2N38.1A5=JUMPER NOMEX	2.00	38.1	3.18	0.35MAX	0.84MAX	φ0.40	0.25MIN	5
9-1447176-2	FS2N38.1A6=JUMPER NOMEX	2.00	38.1	3.18	0.35MAX	0.84MAX	φ0.40	0.25MIN	6
9-1447176-4	FS2N38.1A7=JUMPER NOMEX	2.00	38.1	3.18	0.35MAX	0.84MAX	φ0.40	0.25MIN	7
9-1447176-5	FS2N38.1A8=JUMPER NOMEX	2.00	38.1	3.18	0.35MAX	0.84MAX	φ0.40	0.25MIN	8
9-1447176-7	FS2N38.1A89=JUMPER NOMEX	2.00	38.1	3.18/4.50	0.35MAX	0.84MAX	φ0.40	0.25MIN	8

THIS DRAWING IS A CONTROLLED DOCUMENT.

DIMENSIONS: mm

TOLERANCES UNLESS OTHERWISE SPECIFIED:

0 PLC ± -

1 PLC ± -

2 PLC ± -

3 PLC ± -

4 PLC ± -

ANGLES ± -

MATERIAL: -

FINISH: -

DWN

CHK

APVD

PRODUCT SPEC

108-78002

APPLICATION SPEC

WEIGHT: 0

CUSTOMER DRAWING

SEE SHEET 1

NAME

FLEXSTRIP JUMPER

SIZE: A3

CAGE CODE: 00779

DRAWING NO: 1447169

RESTRICTED TO: -

SCALE: NTS

SHEET: 5 of 10

REV: A18

TE Connectivity Ltd.

P	LTR	DESCRIPTION	DATE	DWN	APVD
-	-	SEE SHEET 1	-	-	-

# FS2N SERIES NO.2

P/N	Description	Pitch (A)	Tape Length (B)	Pin Length (C)	Tape Thickness (D)	Tape Thickness (E)	Pin Diameter (F)	Margin (G)	POS
1447177-1	FS2N38.1A9 =JUMPER NOMEX	2.00	38.1	3.18	0.35MAX	0.84MAX	φ0.40	0.25MIN	9
1447177-7	FS2N38.1B12 =JUMPER NOMEX	2.00	38.1	3.18	0.35MAX	0.84MAX	φ0.40	0.25MIN	12
5-1447176-1	FS2N38.1A16PA=JUMPER NOMEX(PA4.0)	2.00	38.1	4.00	0.35MAX	0.84MAX	φ0.40	0.25MIN	16
1-1447177-4	FS2N40A14 =JUMPER NOMEX	2.00	40.0	3.18	0.35MAX	0.84MAX	φ0.40	0.25MIN	14
2-1447177-2	FS2N42A11 =JUMPER NOMEX	2.00	42.0	3.18	0.35MAX	0.84MAX	φ0.40	0.25MIN	11
2-1447177-3	FS2N42A15 =JUMPER NOMEX	2.00	42.0	3.18	0.35MAX	0.84MAX	φ0.40	0.25MIN	15
2-1447177-5	FS2N42A9 =JUMPER NOMEX	2.00	42.0	3.18	0.35MAX	0.84MAX	φ0.40	0.25MIN	9
3-1447177-2	FS2N50.8A10 =JUMPER NOMEX	2.00	50.8	3.18	0.35MAX	0.84MAX	φ0.40	0.25MIN	10
3-1447177-5	FS2N50.8A11 =JUMPER NOMEX	2.00	50.8	3.18	0.35MAX	0.84MAX	φ0.40	0.25MIN	11
3-1447177-8	FS2N50.8A12 =JUMPER NOMEX	2.00	50.8	3.18	0.35MAX	0.84MAX	φ0.40	0.25MIN	12
4-1447177-1	FS2N50.8A13 =JUMPER NOMEX	2.00	50.8	3.18	0.35MAX	0.84MAX	φ0.40	0.25MIN	13
4-1447177-2	FS2N50.8A14 =JUMPER NOMEX	2.00	50.8	3.18	0.35MAX	0.84MAX	φ0.40	0.25MIN	14
4-1447177-4	FS2N50.8A15 =JUMPER NOMEX	2.00	50.8	3.18	0.35MAX	0.84MAX	φ0.40	0.25MIN	15
4-1447177-5	FS2N50.8A16 =JUMPER NOMEX	2.00	50.8	3.18	0.35MAX	0.84MAX	φ0.40	0.25MIN	16
5-1447177-2	FS2N50.8A17 =JUMPER NOMEX	2.00	50.8	3.18	0.35MAX	0.84MAX	φ0.40	0.25MIN	17
5-1447177-6	FS2N50.8A18 =JUMPER NOMEX	2.00	50.8	3.18	0.35MAX	0.84MAX	φ0.40	0.25MIN	18
5-1447177-8	FS2N50.8A19 =JUMPER NOMEX	2.00	50.8	3.18	0.35MAX	0.84MAX	φ0.40	0.25MIN	19
6-1447177-0	FS2N50.8A2 =JUMPER NOMEX	2.00	50.8	3.18	0.35MAX	0.84MAX	φ0.40	0.25MIN	2
6-1447177-3	FS2N50.8A20PA =JUMPER NOMEX	2.00	50.8	4.00	0.35MAX	0.84MAX	φ0.40	0.25MIN	20
6-1447177-4	FS2N50.8A21 =JUMPER NOMEX	2.00	50.8	3.18	0.35MAX	0.84MAX	φ0.40	0.25MIN	21
6-1447177-6	FS2N50.8A22 =JUMPER NOMEX	2.00	50.8	3.18	0.35MAX	0.84MAX	φ0.40	0.25MIN	22
6-1447177-8	FS2N50.8A23 =JUMPER NOMEX	2.00	50.8	3.18	0.35MAX	0.84MAX	φ0.40	0.25MIN	23
6-1447177-9	FS2N50.8A24 =JUMPER NOMEX	2.00	50.8	3.18	0.35MAX	0.84MAX	φ0.40	0.25MIN	24
7-1447177-1	FS2N50.8A25 =JUMPER NOMEX	2.00	50.8	3.18	0.35MAX	0.84MAX	φ0.40	0.25MIN	25
7-1447177-2	FS2N50.8A26 =JUMPER NOMEX	2.00	50.8	3.18	0.35MAX	0.84MAX	φ0.40	0.25MIN	26
7-1447177-5	FS2N50.8A3 =JUMPER NOMEX	2.00	50.8	3.18	0.35MAX	0.84MAX	φ0.40	0.25MIN	3
7-1447177-6	FS2N50.8A30 =JUMPER NOMEX	2.00	50.8	3.18	0.35MAX	0.84MAX	φ0.40	0.25MIN	30
7-1447177-9	FS2N50.8A33 =JUMPER NOMEX	2.00	50.8	3.18	0.35MAX	0.84MAX	φ0.40	0.25MIN	33
8-1447177-4	FS2N50.8A4 =JUMPER NOMEX	2.00	50.8	3.18	0.35MAX	0.84MAX	φ0.40	0.25MIN	4
8-1447177-5	FS2N50.8A40 =JUMPER NOMEX	2.00	50.8	3.18	0.35MAX	0.84MAX	φ0.40	0.25MIN	40
8-1447177-8	FS2N50.8A5 =JUMPER NOMEX	2.00	50.8	3.18	0.35MAX	0.84MAX	φ0.40	0.25MIN	5
8-1447177-9	FS2N50.8A6 =JUMPER NOMEX	2.00	50.8	3.18	0.35MAX	0.84MAX	φ0.40	0.25MIN	6
9-1447177-1	FS2N50.8A7 =JUMPER NOMEX	2.00	50.8	3.18	0.35MAX	0.84MAX	φ0.40	0.25MIN	7
9-1447177-4	FS2N50.8A8 =JUMPER NOMEX	2.00	50.8	3.18	0.35MAX	0.84MAX	φ0.40	0.25MIN	8
9-1447177-6	FS2N50.8A9 =JUMPER NOMEX	2.00	50.8	3.18	0.35MAX	0.84MAX	φ0.40	0.25MIN	9
9-1447177-8	FS2N50.8A86 =JUMPER NOMEX	2.00	50.8	3.18	0.35MAX	0.84MAX	φ0.40	0.25MIN	6
1447178-8	FS2N63.5A12 =JUMPER NOMEX	2.00	63.5	3.18	0.35MAX	0.84MAX	φ0.40	0.25MIN	12
1447178-9	FS2N63.5A13 =JUMPER NOMEX	2.00	63.5	3.18	0.35MAX	0.84MAX	φ0.40	0.25MIN	13
1-1447178-1	FS2N63.5A15 =JUMPER NOMEX	2.00	63.5	3.18	0.35MAX	0.84MAX	φ0.40	0.25MIN	15
1-1447178-5	FS2N63.5A16PA=JUMPER (PA4.0)	2.00	63.5	4.00	0.35MAX	0.84MAX	φ0.40	0.25MIN	16
2-1447178-1	FS2N63.5A20 =JUMPER NOMEX	2.00	63.5	3.18	0.35MAX	0.84MAX	φ0.40	0.25MIN	20
2-1447178-3	FS2N63.5A21 =JUMPER NOMEX	2.00	63.5	3.18	0.35MAX	0.84MAX	φ0.40	0.25MIN	21
2-1447178-5	FS2N63.5A25 =JUMPER NOMEX	2.00	63.5	3.18	0.35MAX	0.84MAX	φ0.40	0.25MIN	25
2-1447178-8	FS2N63.5A28 =JUMPER NOMEX	2.00	63.5	3.18	0.35MAX	0.84MAX	φ0.40	0.25MIN	28
2-1447178-9	FS2N63.5A3 =JUMPER NOMEX	2.00	63.5	3.18	0.35MAX	0.84MAX	φ0.40	0.25MIN	3
3-1447178-0	FS2N63.5A30 =JUMPER NOMEX	2.00	63.5	3.18	0.35MAX	0.84MAX	φ0.40	0.25MIN	30
3-1447178-8	FS2N63.5A4 =JUMPER NOMEX	2.00	63.5	3.18	0.35MAX	0.84MAX	φ0.40	0.25MIN	4
3-1447178-9	FS2N63.5A5 =JUMPER NOMEX	2.00	63.5	3.18	0.35MAX	0.84MAX	φ0.40	0.25MIN	5
4-1447178-1	FS2N63.5A6 =JUMPER NOMEX	2.00	63.5	3.18	0.35MAX	0.84MAX	φ0.40	0.25MIN	6
4-1447178-3	FS2N63.5A8 =JUMPER NOMEX	2.00	63.5	3.18	0.35MAX	0.84MAX	φ0.40	0.25MIN	8
4-1447178-4	FS2N63.5A9 =JUMPER NOMEX	2.00	63.5	3.18	0.35MAX	0.84MAX	φ0.40	0.25MIN	9
5-1447178-0	FS2N72A25 =JUMPER NOMEX	2.00	72.0	3.18	0.35MAX	0.84MAX	φ0.40	0.25MIN	25
5-1447178-1	FS2N72A28 =JUMPER NOMEX	2.00	72.0	3.18	0.35MAX	0.84MAX	φ0.40	0.25MIN	28
5-1447178-2	FS2N72A32 =JUMPER NOMEX	2.00	72.0	3.18	0.35MAX	0.84MAX	φ0.40	0.25MIN	32
5-1447178-9	FS2N76.2A12 =JUMPER NOMEX	2.00	76.2	3.18	0.35MAX	0.84MAX	φ0.40	0.25MIN	12
6-1447178-2	FS2N76.2A14 =JUMPER NOMEX	2.00	76.2	3.18	0.35MAX	0.84MAX	φ0.40	0.25MIN	14
7-1447178-1	FS2N76.2A20 =JUMPER NOMEX	2.00	76.2	3.18	0.35MAX	0.84MAX	φ0.40	0.25MIN	20
7-1447178-2	FS2N76.2A20PA =JUMPER NOMEX	2.00	76.2	4.00	0.35MAX	0.84MAX	φ0.40	0.25MIN	20
7-1447178-4	FS2N76.2A26 =JUMPER NOMEX	2.00	76.2	3.18	0.35MAX	0.84MAX	φ0.40	0.25MIN	26
7-1447178-5	FS2N76.2A28 =JUMPER NOMEX	2.00	76.2	3.18	0.35MAX	0.84MAX	φ0.40	0.25MIN	28
8-1447178-1	FS2N76.2A4 =JUMPER NOMEX	2.00	76.2	3.18	0.35MAX	0.84MAX	φ0.40	0.25MIN	4
1376966-1	FS2N76.2A40 =JUMPER NOMEX	2.00	76.2	3.18	0.35MAX	0.84MAX	φ0.40	0.25MIN	40
8-1447178-4	FS2N76.2A5 =JUMPER NOMEX	2.00	76.2	3.18	0.35MAX	0.84MAX	φ0.40	0.25MIN	5
8-1447178-6	FS2N76.2A6 =JUMPER NOMEX	2.00	76.2	3.18	0.35MAX	0.84MAX	φ0.40	0.25MIN	6
8-1447178-7	FS2N76.2A7 =JUMPER NOMEX	2.00	76.2	3.18	0.35MAX	0.84MAX	φ0.40	0.25MIN	7
8-1447178-8	FS2N76.2A8 =JUMPER NOMEX	2.00	76.2	3.18	0.35MAX	0.84MAX	φ0.40	0.25MIN	8
9-1447178-5	FS2N80A28 =JUMPER NOMEX	2.00	80.0	3.18	0.35MAX	0.84MAX	φ0.40	0.25MIN	28
9-1447178-6	FS2N80A32 =JUMPER NOMEX	2.00	80.0	3.18	0.35MAX	0.84MAX	φ0.40	0.25MIN	32
1447179-2	FS2N88.9A10 =JUMPER NOMEX	2.00	88.9	3.18	0.35MAX	0.84MAX	φ0.40	0.25MIN	10
1447179-4	FS2N88.9A12 =JUMPER NOMEX	2.00	88.9	3.18	0.35MAX	0.84MAX	φ0.40	0.25MIN	12
1-1447179-6	FS2N88.9A20PA=JUMPER (PA4.0)	2.00	88.9	4.00	0.35MAX	0.84MAX	φ0.40	0.25MIN	20
2-1447179-6	FS2N88.9A6 =JUMPER NOMEX	2.00	88.9	3.18	0.35MAX	0.84MAX	φ0.40	0.25MIN	6
2-1447179-8	FS2N88.9A8 =JUMPER NOMEX	2.00	88.9	3.18	0.35MAX	0.84MAX	φ0.40	0.25MIN	8

THIS DRAWING IS A CONTROLLED DOCUMENT.

DWN -  
CHK -  
APVD -

SEE SHEET 1

TE Connectivity Ltd.

FLEXSTRIP JUMPER

108-78002

108-78002

0

A3 00779 C=1447169

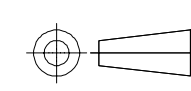
CUSTOMER DRAWING

SCALE NTS SHEET 6 OF 10 REV A18

P	LTR	DESCRIPTION	DATE	DWN	APVD
-	-	SEE SHEET 1	-	-	-

# FSN SERIES NO.1

PN	Description	Pitch (A)	Tape Length (B)	Pin Length (C)	Tape Thickness (D)	Tape Thickness (E)	Pin Diameter (F)	Margin (G)	POS
6-1447182-9	FSN-1.5A-10= JUMPER NOMEX	1.27	12.7	3.18	0.35MAX	0.4MAX	φ 0.32	0.25MIN	10
7-1447182-1	FSN-1.5A-12= JUMPER NOMEX	1.27	12.7	3.18	0.35MAX	0.4MAX	φ 0.32	0.25MIN	12
3-1437127-7	FSN-1.5A-13= JUMPER NOMEX	1.27	12.7	3.18	0.35MAX	0.4MAX	φ 0.32	0.25MIN	13
4-1437127-1	FSN-1.5A-17= JUMPER NOMEX	1.27	12.7	3.18	0.35MAX	0.4MAX	φ 0.32	0.25MIN	17
4-1437127-2	FSN-1.5A-18= JUMPER NOMEX	1.27	12.7	3.18	0.35MAX	0.4MAX	φ 0.32	0.25MIN	18
7-1447182-4	FSN-1.5A-19= JUMPER NOMEX	1.27	12.7	3.18	0.35MAX	0.4MAX	φ 0.32	0.25MIN	19
4-1437127-3	FSN-1.5A-20= JUMPER NOMEX	1.27	12.7	3.18	0.35MAX	0.4MAX	φ 0.32	0.25MIN	20
7-1447182-7	FSN-1.5A-22= JUMPER NOMEX	1.27	12.7	3.18	0.35MAX	0.4MAX	φ 0.32	0.25MIN	22
4-1437127-8	FSN-1.5A-25= JUMPER NOMEX	1.27	12.7	3.18	0.35MAX	0.4MAX	φ 0.32	0.25MIN	25
8-1447182-0	FSN-1.5A-3= JUMPER NOMEX	1.27	12.7	3.18	0.35MAX	0.4MAX	φ 0.32	0.25MIN	3
5-1437127-1	FSN-1.5A-32= JUMPER NOMEX	1.27	12.7	3.18	0.35MAX	0.4MAX	φ 0.32	0.25MIN	32
5-1437127-6	FSN-1.5A-5= JUMPER NOMEX	1.27	12.7	3.18	0.35MAX	0.4MAX	φ 0.32	0.25MIN	5
8-1447182-3	FSN-1.5A-6= JUMPER NOMEX	1.27	12.7	3.18	0.35MAX	0.4MAX	φ 0.32	0.25MIN	6
8-1447182-5	FSN-1.5A-8= JUMPER NOMEX	1.27	12.7	3.18	0.35MAX	0.4MAX	φ 0.32	0.25MIN	8
1437129-6	FSN-11.5A-10= JUMPER NOMEX	1.27	38.1	3.18	0.35MAX	0.4MAX	φ 0.32	0.25MIN	10
1437129-7	FSN-11.5A-12= JUMPER NOMEX	1.27	38.1	3.18	0.35MAX	0.4MAX	φ 0.32	0.25MIN	12
8-1447182-9	FSN-11.5A-13= JUMPER NOMEX	1.27	38.1	3.18	0.35MAX	0.4MAX	φ 0.32	0.25MIN	13
1437129-8	FSN-11.5A-14= JUMPER NOMEX	1.27	38.1	3.18	0.35MAX	0.4MAX	φ 0.32	0.25MIN	14
9-1447182-0	FSN-11.5A-16= JUMPER NOMEX	1.27	38.1	3.18	0.35MAX	0.4MAX	φ 0.32	0.25MIN	16
1-1437129-1	FSN-11.5A-18= JUMPER NOMEX	1.27	38.1	3.18	0.35MAX	0.4MAX	φ 0.32	0.25MIN	18
1-1437129-3	FSN-11.5A-20= JUMPER NOMEX	1.27	38.1	3.18	0.35MAX	0.4MAX	φ 0.32	0.25MIN	20
9-1447182-4	FSN-11.5A-22= JUMPER NOMEX	1.27	38.1	3.18	0.35MAX	0.4MAX	φ 0.32	0.25MIN	22
9-1447182-8	FSN-11.5A-25= JUMPER NOMEX	1.27	38.1	3.18	0.35MAX	0.4MAX	φ 0.32	0.25MIN	25
1447183-6	FSN-11.5A-4= JUMPER NOMEX	1.27	38.1	3.18	0.35MAX	0.4MAX	φ 0.32	0.25MIN	4
2-1437129-2	FSN-11.5A-5= JUMPER NOMEX	1.27	38.1	3.18	0.35MAX	0.4MAX	φ 0.32	0.25MIN	5
2-1437129-5	FSN-11.5A-7= JUMPER NOMEX	1.27	38.1	3.18	0.35MAX	0.4MAX	φ 0.32	0.25MIN	7
2-1437129-6	FSN-11.5A-8= JUMPER NOMEX	1.27	38.1	3.18	0.35MAX	0.4MAX	φ 0.32	0.25MIN	8
2-1437129-7	FSN-11.5A-9= JUMPER NOMEX	1.27	38.1	3.18	0.35MAX	0.4MAX	φ 0.32	0.25MIN	9
3-1437130-5	FSN-11A-7= JUMPER NOMEX	1.27	38.1	3.18	0.35MAX	0.4MAX	φ 0.32	0.25MIN	7
1437130-4	FSN-11A-10= JUMPER NOMEX	1.27	25.4	3.18	0.35MAX	0.4MAX	φ 0.32	0.25MIN	10
1437130-6	FSN-11A-11= NOMEX FS STD	1.27	25.4	3.18	0.35MAX	0.4MAX	φ 0.32	0.25MIN	11
1437130-8	FSN-11A-12= JUMPER NOMEX	1.27	25.4	3.18	0.35MAX	0.4MAX	φ 0.32	0.25MIN	12
1-1437130-1	FSN-11A-14= JUMPER NOMEX	1.27	25.4	3.18	0.35MAX	0.4MAX	φ 0.32	0.25MIN	14
1-1437130-3	FSN-11A-15= JUMPER NOMEX	1.27	25.4	3.18	0.35MAX	0.4MAX	φ 0.32	0.25MIN	15
1-1437130-4	FSN-11A-16= JUMPER NOMEX	1.27	25.4	3.18	0.35MAX	0.4MAX	φ 0.32	0.25MIN	16
1-1437130-6	FSN-11A-18= JUMPER NOMEX	1.27	25.4	3.18	0.35MAX	0.4MAX	φ 0.32	0.25MIN	18
1-1437130-9	FSN-11A-20= JUMPER NOMEX	1.27	25.4	3.18	0.35MAX	0.4MAX	φ 0.32	0.25MIN	20
2-1437130-1	FSN-11A-22= JUMPER NOMEX	1.27	25.4	3.18	0.35MAX	0.4MAX	φ 0.32	0.25MIN	22
2-1437130-2	FSN-11A-23= JUMPER NOMEX	1.27	25.4	3.18	0.35MAX	0.4MAX	φ 0.32	0.25MIN	23
2-1437130-3	FSN-11A-24= JUMPER NOMEX	1.27	25.4	3.18	0.35MAX	0.4MAX	φ 0.32	0.25MIN	24
2-1437130-5	FSN-11A-26= JUMPER NOMEX	1.27	25.4	3.18	0.35MAX	0.4MAX	φ 0.32	0.25MIN	26
1-1447183-7	FSN-11A-27= JUMPER NOMEX	1.27	25.4	3.18	0.35MAX	0.4MAX	φ 0.32	0.25MIN	27
2-1437130-6	FSN-11A-28= JUMPER NOMEX	1.27	25.4	3.18	0.35MAX	0.4MAX	φ 0.32	0.25MIN	28
2-1437130-9	FSN-11A-30= JUMPER NOMEX	1.27	25.4	3.18	0.35MAX	0.4MAX	φ 0.32	0.25MIN	30
3-1437130-3	FSN-11A-5= JUMPER NOMEX	1.27	25.4	3.18	0.35MAX	0.4MAX	φ 0.32	0.25MIN	5
3-1437130-4	FSN-11A-6= JUMPER NOMEX	1.27	25.4	3.18	0.35MAX	0.4MAX	φ 0.32	0.25MIN	6
3-1437130-6	FSN-11A-8= JUMPER NOMEX	1.27	25.4	3.18	0.35MAX	0.4MAX	φ 0.32	0.25MIN	8
1-1447183-4	FSN-11A-19-1= JUMPER NOMEX (PL2.5)	1.27	25.4	2.50	0.35MAX	0.4MAX	φ 0.32	0.25MIN	19
1-1447183-6	FSN-11A-24-1= JUMPER NOMEX (PL2.5)	1.27	25.4	2.50	0.35MAX	0.4MAX	φ 0.32	0.25MIN	24
2-1447183-1	FSN-11A-8PL2.5= JUMPER NOMEX	1.27	25.4	2.50	0.35MAX	0.4MAX	φ 0.32	0.25MIN	8
4-1437131-7	FSN-12.5A-10= JUMPER NOMEX	1.27	63.5	3.18	0.35MAX	0.4MAX	φ 0.32	0.25MIN	10
2-1447183-7	FSN-12.5A-13= JUMPER NOMEX	1.27	63.5	3.18	0.35MAX	0.4MAX	φ 0.32	0.25MIN	13
1-1437131-1	FSN-12.5A-20= JUMPER NOMEX	1.27	63.5	3.18	0.35MAX	0.4MAX	φ 0.32	0.25MIN	20
1-1437131-5	FSN-12.5A-30= JUMPER NOMEX	1.27	63.5	3.18	0.35MAX	0.4MAX	φ 0.32	0.25MIN	30
5-1437131-2	FSN-12A-14= JUMPER NOMEX	1.27	50.8	3.18	0.35MAX	0.4MAX	φ 0.32	0.25MIN	14
5-1437131-3	FSN-12A-15= JUMPER NOMEX	1.27	50.8	3.18	0.35MAX	0.4MAX	φ 0.32	0.25MIN	15
5-1437131-5	FSN-12A-16= JUMPER NOMEX	1.27	50.8	3.18	0.35MAX	0.4MAX	φ 0.32	0.25MIN	16
6-1437131-0	FSN-12A-21= JUMPER NOMEX	1.27	50.8	3.18	0.35MAX	0.4MAX	φ 0.32	0.25MIN	21
6-1437131-4	FSN-12A-25= JUMPER NOMEX	1.27	50.8	3.18	0.35MAX	0.4MAX	φ 0.32	0.25MIN	25
6-1437131-8	FSN-12A-30= JUMPER NOMEX	1.27	50.8	3.18	0.35MAX	0.4MAX	φ 0.32	0.25MIN	30
2-1437161-8	FSN-12A-4= JUMPER NOMEX	1.27	50.8	3.18	0.35MAX	0.4MAX	φ 0.32	0.25MIN	4
7-1437131-1	FSN-12A-5= JUMPER NOMEX	1.27	50.8	3.18	0.35MAX	0.4MAX	φ 0.32	0.25MIN	5
7-1437131-3	FSN-12A-6= JUMPER NOMEX	1.27	50.8	3.18	0.35MAX	0.4MAX	φ 0.32	0.25MIN	6
7-1437131-5	FSN-12A-8= JUMPER NOMEX	1.27	50.8	3.18	0.35MAX	0.4MAX	φ 0.32	0.25MIN	8
4-1447183-3	FSN-13.5A-24= JUMPER NOMEX	1.27	88.9	3.18	0.35MAX	0.4MAX	φ 0.32	0.25MIN	24
1-1437133-9	FSN-14A-10= JUMPER NOMEX	1.27	101.6	3.18	0.35MAX	0.4MAX	φ 0.32	0.25MIN	10
4-1447183-9	FSN-14A-16= JUMPER NOMEX	1.27	101.6	3.18	0.35MAX	0.4MAX	φ 0.32	0.25MIN	16
6-1447183-1	FSN-15A-25= JUMPER NOMEX	1.27	127.0	3.18	0.35MAX	0.4MAX	φ 0.32	0.25MIN	25

THIS DRAWING IS A CONTROLLED DOCUMENT.		DWN	-
DIMENSIONS: mm		CHK	-
		APVD	-
TOLERANCES UNLESS OTHERWISE SPECIFIED:		SEE SHEET 1	
0 PLC ± -		PRODUCT SPEC	108-78002
1 PLC ± -		APPLICATION SPEC	-
2 PLC ± -		WEIGHT	0
3 PLC ± -		SIZE	A3
4 PLC ± -		CAGE CODE	00779
ANGLES ± -		DRAWING NO	C=1447169
MATERIAL		RESTRICTED TO	-
FINISH		SCALE	NTS
CUSTOMER DRAWING		SHEET	7 OF 10
		REV	A18



FLEXSTRIP JUMPER

P	LTR	DESCRIPTION	DATE	DWN	APVD
-	-	SEE SHEET 1	-	-	-

# FSN SERIES NO.2

SEE SPECIAL PROCESS

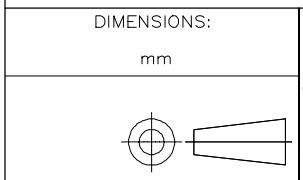
SEE SPECIAL PROCESS

SUPERCEDED BY 1-1474644-8

SUPERCEDED BY 2-1474644-1

PIN	Description	Pitch (A)	Tape Length (B)	Pin Length (C)	Tape Thickness (D)	Tape Thickness (E)	Pin Diameter (F)	Margin (G)	POS
7-1447183-3	FSN-2.5A-10=JUMPER NOMEX	2.54	12.7	3.18	0.35MAX	0.84MAX	φ0.51	0.25MIN	10
7-1447183-5	FSN-2.5A-11=JUMPER NOMEX	2.54	12.7	3.18	0.35MAX	0.84MAX	φ0.51	0.25MIN	11
7-1447183-6	FSN-2.5A-11-1(SPECIAL BENDING)	2.54	12.7	3.18	0.35MAX	0.84MAX	φ0.51	0.25MIN	11
7-1447183-7	FSN-2.5A-12=JUMPER NOMEX	2.54	12.7	3.18	0.35MAX	0.84MAX	φ0.51	0.25MIN	12
7-1447183-8	FSN-2.5A-13=JUMPER NOMEX	2.54	12.7	3.18	0.35MAX	0.84MAX	φ0.51	0.25MIN	13
8-1447183-0	FSN-2.5A-14=JUMPER NOMEX	2.54	12.7	3.18	0.35MAX	0.84MAX	φ0.51	0.25MIN	14
4-1437134-9	FSN-2.5A-15= JUMPER NOMEX	2.54	12.7	3.18	0.35MAX	0.84MAX	φ0.51	0.25MIN	15
8-1447183-2	FSN-2.5A-16=JUMPER NOMEX	2.54	12.7	3.18	0.35MAX	0.84MAX	φ0.51	0.25MIN	16
8-1447183-4	FSN-2.5A-18=JUMPER NOMEX	2.54	12.7	3.18	0.35MAX	0.84MAX	φ0.51	0.25MIN	18
8-1447183-5	FSN-2.5A-20=JUMPER NOMEX	2.54	12.7	3.18	0.35MAX	0.84MAX	φ0.51	0.25MIN	20
8-1447183-6	FSN-2.5A-20=JUMPER NOMEX	2.54	12.7	3.18	0.35MAX	0.84MAX	φ0.51	0.25MIN	20
5-1437134-7	FSN-2.5A-22= JUMPER NOMEX	2.54	12.7	3.18	0.35MAX	0.84MAX	φ0.51	0.25MIN	22
6-1437134-2	FSN-2.5A-3=JUMPER NOMEX	2.54	12.7	3.18	0.35MAX	0.84MAX	φ0.51	0.25MIN	3
9-1447183-2	FSN-2.5A-27= JUMPER NOMEX	2.54	12.7	3.18	0.35MAX	0.84MAX	φ0.51	0.25MIN	27
6-1437134-3	FSN-2.5A-30= JUMPER NOMEX	2.54	12.7	3.18	0.35MAX	0.84MAX	φ0.51	0.25MIN	30
9-1447183-6	FSN-2.5A-4=JUMPER NOMEX	2.54	12.7	3.18	0.35MAX	0.84MAX	φ0.51	0.25MIN	4
9-1447183-8	FSN-2.5A-5=JUMPER NOMEX	2.54	12.7	3.18	0.35MAX	0.84MAX	φ0.51	0.25MIN	5
1447184-1	FSN-2.5A-6=JUMPER NOMEX	2.54	12.7	3.18	0.35MAX	0.84MAX	φ0.51	0.25MIN	6
1447184-3	FSN-2.5A-7=JUMPER NOMEX	2.54	12.7	3.18	0.35MAX	0.84MAX	φ0.51	0.25MIN	7
1447184-7	FSN-2.5A-9=JUMPER NOMEX	2.54	12.7	3.18	0.35MAX	0.84MAX	φ0.51	0.25MIN	9
3-1437137-4	FSN-21.5A-10= JUMPER NOMEX	2.54	38.1	3.18	0.35MAX	0.84MAX	φ0.51	0.25MIN	10
3-1437137-6	FSN-21.5A-11= JUMPER NOMEX	2.54	38.1	3.18	0.35MAX	0.84MAX	φ0.51	0.25MIN	11
3-1437137-9	FSN-21.5A-12= JUMPER NOMEX	2.54	38.1	3.18	0.35MAX	0.84MAX	φ0.51	0.25MIN	12
4-1437137-1	FSN-21.5A-13= JUMPER NOMEX	2.54	38.1	3.18	0.35MAX	0.84MAX	φ0.51	0.25MIN	13
4-1437137-2	FSN-21.5A-14= JUMPER NOMEX	2.54	38.1	3.18	0.35MAX	0.84MAX	φ0.51	0.25MIN	14
4-1437137-3	FSN-21.5A-15= JUMPER NOMEX	2.54	38.1	3.18	0.35MAX	0.84MAX	φ0.51	0.25MIN	15
3-1447184-5	FSN-21.5A-16=JUMPER NOMEX	2.54	38.1	3.18	0.35MAX	0.84MAX	φ0.51	0.25MIN	16
4-1437137-6	FSN-21.5A-17= JUMPER NOMEX	2.54	38.1	3.18	0.35MAX	0.84MAX	φ0.51	0.25MIN	17
4-1447184-0	FSN-21.5A-18=JUMPER NOMEX	2.54	38.1	3.18	0.35MAX	0.84MAX	φ0.51	0.25MIN	18
4-1437137-8	FSN-21.5A-19=JUMPER NOMEX	2.54	38.1	3.18	0.35MAX	0.84MAX	φ0.51	0.25MIN	19
4-1437137-9	FSN-21.5A-2= JUMPER NOMEX	2.54	38.1	3.18	0.35MAX	0.84MAX	φ0.51	0.25MIN	2
4-1447184-2	FSN-21.5A-20=JUMPER NOMEX	2.54	38.1	3.18	0.35MAX	0.84MAX	φ0.51	0.25MIN	20
5-1437137-4	FSN-21.5A-22= JUMPER NOMEX	2.54	38.1	3.18	0.35MAX	0.84MAX	φ0.51	0.25MIN	22
5-1437137-5	FSN-21.5A-23= JUMPER NOMEX	2.54	38.1	3.18	0.35MAX	0.84MAX	φ0.51	0.25MIN	23
5-1437137-7	FSN-21.5A-24= JUMPER NOMEX	2.54	38.1	3.18	0.35MAX	0.84MAX	φ0.51	0.25MIN	24
5-1437137-8	FSN-21.5A-25= JUMPER NOMEX	2.54	38.1	3.18	0.35MAX	0.84MAX	φ0.51	0.25MIN	25
5-1437137-9	FSN-21.5A-26= JUMPER NOMEX	2.54	38.1	3.18	0.35MAX	0.84MAX	φ0.51	0.25MIN	26
5-1447184-0	FSN-21.5A-27= JUMPER NOMEX	2.54	38.1	3.18	0.35MAX	0.84MAX	φ0.51	0.25MIN	27
5-1447184-6	FSN-21.5A-3=JUMPER NOMEX	2.54	38.1	3.18	0.35MAX	0.84MAX	φ0.51	0.25MIN	3
6-1437137-3	FSN-21.5A-30=JUMPER NOMEX	2.54	38.1	3.18	0.35MAX	0.84MAX	φ0.51	0.25MIN	30
6-1437137-4	FSN-21.5A-32=JUMPER NOMEX	2.54	38.1	3.18	0.35MAX	0.84MAX	φ0.51	0.25MIN	32
6-1447184-2	FSN-21.5A-33=JUMPER NOMEX	2.54	38.1	3.18	0.35MAX	0.84MAX	φ0.51	0.25MIN	33
6-1437137-7	FSN-21.5A-4= JUMPER NOMEX	2.54	38.1	3.18	0.35MAX	0.84MAX	φ0.51	0.25MIN	4
6-1447184-8	FSN-21.5A-5= JUMPER NOMEX	2.54	38.1	3.18	0.35MAX	0.84MAX	φ0.51	0.25MIN	5
7-1437137-2	FSN-21.5A-6= JUMPER NOMEX	2.54	38.1	3.18	0.35MAX	0.84MAX	φ0.51	0.25MIN	6
7-1447184-3	FSN-21.5A-7=JUMPER NOMEX	2.54	38.1	3.18	0.35MAX	0.84MAX	φ0.51	0.25MIN	7
7-1447184-8	FSN-21.5A-8= JUMPER NOMEX	2.54	38.1	3.18	0.35MAX	0.84MAX	φ0.51	0.25MIN	8
7-1437137-8	FSN-21.5A-9= JUMPER NOMEX	2.54	38.1	3.18	0.35MAX	0.84MAX	φ0.51	0.25MIN	9
9-1437137-4	FSN-21.5B-6= JUMPER NOMEX	2.54	38.1	3.18	0.35MAX	0.84MAX	φ0.51	0.25MIN	6
8-1447184-6	FSN-21.5B-9=JUMPER NOMEX	2.54	38.1	3.18	0.35MAX	0.84MAX	φ0.51	0.25MIN	9
6-1437139-7	FSN-21A-10= JUMPER NOMEX	2.54	25.4	3.18	0.35MAX	0.84MAX	φ0.51	0.25MIN	10
6-1437139-9	FSN-21A-11= JUMPER NOMEX	2.54	25.4	3.18	0.35MAX	0.84MAX	φ0.51	0.25MIN	11
1447185-6	FSN-21A-11= JUMPER NOMEX PL4.1	2.54	25.4	4.10	0.35MAX	0.84MAX	φ0.51	0.25MIN	11
7-1437139-1	FSN-21A-12= JUMPER NOMEX	2.54	25.4	3.18	0.35MAX	0.84MAX	φ0.51	0.25MIN	12
7-1437139-3	FSN-21A-13= JUMPER NOMEX	2.54	25.4	3.18	0.35MAX	0.84MAX	φ0.51	0.25MIN	13
7-1437139-4	FSN-21A-14= JUMPER NOMEX	2.54	25.4	3.18	0.35MAX	0.84MAX	φ0.51	0.25MIN	14
7-1437139-7	FSN-21A-15= JUMPER NOMEX	2.54	25.4	3.18	0.35MAX	0.84MAX	φ0.51	0.25MIN	15
7-1437139-9	FSN-21A-16= JUMPER NOMEX	2.54	25.4	3.18	0.35MAX	0.84MAX	φ0.51	0.25MIN	16
8-1437139-0	FSN-21A-17= JUMPER NOMEX	2.54	25.4	3.18	0.35MAX	0.84MAX	φ0.51	0.25MIN	17
8-1437139-1	FSN-21A-18= JUMPER NOMEX	2.54	25.4	3.18	0.35MAX	0.84MAX	φ0.51	0.25MIN	18
8-1437139-2	FSN-21A-19= JUMPER NOMEX	2.54	25.4	3.18	0.35MAX	0.84MAX	φ0.51	0.25MIN	19
8-1437139-3	FSN-21A-2= JUMPER NOMEX	2.54	25.4	3.18	0.35MAX	0.84MAX	φ0.51	0.25MIN	2
8-1437139-4	FSN-21A-20= JUMPER NOMEX	2.54	25.4	3.18	0.35MAX	0.84MAX	φ0.51	0.25MIN	20
2-1447185-7	FSN-21A-20FV=JUMPER FORMING	2.54	25.4	3.18	0.35MAX	0.84MAX	φ0.51	0.25MIN	20
8-1437139-5	FSN-21A-21= JUMPER NOMEX	2.54	25.4	3.18	0.35MAX	0.84MAX	φ0.51	0.25MIN	21
8-1437139-6	FSN-21A-22= JUMPER NOMEX	2.54	25.4	3.18	0.35MAX	0.84MAX	φ0.51	0.25MIN	22
8-1437139-9	FSN-21A-25= JUMPER NOMEX	2.54	25.4	3.18	0.35MAX	0.84MAX	φ0.51	0.25MIN	25
9-1437139-0	FSN-21A-26= JUMPER NOMEX	2.54	25.4	3.18	0.35MAX	0.84MAX	φ0.51	0.25MIN	26
9-1437139-1	FSN-21A-27= JUMPER NOMEX	2.54	25.4	3.18	0.35MAX	0.84MAX	φ0.51	0.25MIN	27
9-1437139-2	FSN-21A-28= JUMPER NOMEX	2.54	25.4	3.18	0.35MAX	0.84MAX	φ0.51	0.25MIN	28
9-1437139-7	FSN-21A-3= JUMPER NOMEX	2.54	25.4	3.18	0.35MAX	0.84MAX	φ0.51	0.25MIN	3
9-1437139-8	FSN-21A-30= JUMPER NOMEX	2.54	25.4	3.18	0.35MAX	0.84MAX	φ0.51	0.25MIN	30
4-1447185-1	FSN-21A-34= JUMPER NOMEX	2.54	25.4	3.18	0.35MAX	0.84MAX	φ0.51	0.25MIN	34
1437140-9	FSN-21A-4= JUMPER NOMEX	2.54	25.4	3.18	0.35MAX	0.84MAX	φ0.51	0.25MIN	4
1-1437140-1	FSN-21A-5= JUMPER NOMEX	2.54	25.4	3.18	0.35MAX	0.84MAX	φ0.51	0.25MIN	5
1-1437140-4	FSN-21A-6= JUMPER NOMEX	2.54	25.4	3.18	0.35MAX	0.84MAX	φ0.51	0.25MIN	6
1-1437140-6	FSN-21A-7= JUMPER NOMEX	2.54	25.4	3.18	0.35MAX	0.84MAX	φ0.51	0.25MIN	7
1-1437140-9	FSN-21A-7= JUMPER NOMEX	2.54	25.4	3.18	0.35MAX	0.84MAX	φ0.51	0.25MIN	8
2-1437140-1	FSN-21A-9= JUMPER NOMEX	2.54	25.4	3.18	0.35MAX	0.84MAX	φ0.51	0.25MIN	9
5-1447185-6	FSN-21A-9PA = JUMPER (PA4.0)	2.54	25.4	4.00	0.35MAX	0.84MAX	φ0.51	0.25MIN	9
5-1447185-9	FSN-21AB-14= JUMPER NOMEX	2.54	25.4	3.18	0.35MAX	0.84MAX	φ0.51	0.25MIN	14
6-1447185-2	FSN-21AB-5= JUMPER NOMEX	2.54	25.4	3.18	0.35MAX	0.84MAX	φ0.51	0.25MIN	5

THIS DRAWING IS A CONTROLLED DOCUMENT.



DIMENSIONS: mm  
TOLERANCES UNLESS OTHERWISE SPECIFIED:  
0 PLC ± -  
1 PLC ± -  
2 PLC ± -  
3 PLC ± -  
4 PLC ± -  
ANGLES ± -

MATERIAL

FINISH

DWN	-
CHK	-
APVD	-
PRODUCT SPEC	108-78002
APPLICATION SPEC	-
WEIGHT	0

NAME		FLEXSTRIP JUMPER	
SIZE	CAGE CODE	DRAWING NO	RESTRICTED TO
A3	00779	C=1447169	-
SCALE		SHEET	REV
NTS		8 of 10	A18

CUSTOMER DRAWING





P	LTR	DESCRIPTION	DATE	DWN	APVD
-	-	SEE SHEET 1	-	-	-

# FSN SERIES NO.3

SEE SPECIAL PROCESS

P/N	Description	Pitch (A)	Tape Length (B)	Pin Length (C)	Tape Thickness (D)	Tape Thickness (E)	Pin Diameter (F)	Margin (G)	POS
2-1437141-9	FSN-22.5A-10= JUMPER NOMEX	2.54	63.5	3.18	0.35MAX	0.84MAX	φ0.51	0.25MIN	10
3-1437141-0	FSN-22.5A-11= JUMPER NOMEX	2.54	63.5	3.18	0.35MAX	0.84MAX	φ0.51	0.25MIN	11
3-1437141-1	FSN-22.5A-12= JUMPER NOMEX	2.54	63.5	3.18	0.35MAX	0.84MAX	φ0.51	0.25MIN	12
7-1447185-4	FSN-22.5A-14PA JUMPER NOMEX	2.54	63.5	4.00	0.35MAX	0.84MAX	φ0.51	0.25MIN	14
3-1437141-4	FSN-22.5A-15= JUMPER NOMEX	2.54	63.5	3.18	0.35MAX	0.84MAX	φ0.51	0.25MIN	15
3-1437141-5	FSN-22.5A-16= JUMPER NOMEX	2.54	63.5	3.18	0.35MAX	0.84MAX	φ0.51	0.25MIN	16
3-1437141-7	FSN-22.5A-18= JUMPER NOMEX	2.54	63.5	3.18	0.35MAX	0.84MAX	φ0.51	0.25MIN	18
8-1447185-8	FSN-22.5A-19= JUMPER NOMEX	2.54	63.5	3.18	0.35MAX	0.84MAX	φ0.51	0.25MIN	19
3-1437141-9	FSN-22.5A-20= JUMPER NOMEX	2.54	63.5	3.18	0.35MAX	0.84MAX	φ0.51	0.25MIN	20
4-1437141-2	FSN-22.5A-22= JUMPER NOMEX	2.54	63.5	3.18	0.35MAX	0.84MAX	φ0.51	0.25MIN	22
4-1437141-5	FSN-22.5A-23= JUMPER NOMEX	2.54	63.5	3.18	0.35MAX	0.84MAX	φ0.51	0.25MIN	23
9-1447185-6	FSN-22.5A-25= JUMPER NOMEX	2.54	63.5	3.18	0.35MAX	0.84MAX	φ0.51	0.25MIN	25
1447186-1	FSN-22.5A-26= JUMPER NOMEX	2.54	63.5	3.18	0.35MAX	0.84MAX	φ0.51	0.25MIN	26
4-1437141-9	FSN-22.5A-3= JUMPER NOMEX	2.54	63.5	3.18	0.35MAX	0.84MAX	φ0.51	0.25MIN	3
1447186-6	FSN-22.5A-30= JUMPER NOMEX	2.54	63.5	3.18	0.35MAX	0.84MAX	φ0.51	0.25MIN	30
1447186-8	FSN-22.5A-31= JUMPER NOMEX	2.54	63.5	3.18	0.35MAX	0.84MAX	φ0.51	0.25MIN	31
5-1437141-1	FSN-22.5A-4= JUMPER NOMEX	2.54	63.5	3.18	0.35MAX	0.84MAX	φ0.51	0.25MIN	4
5-1437141-2	FSN-22.5A-5= JUMPER NOMEX	2.54	63.5	3.18	0.35MAX	0.84MAX	φ0.51	0.25MIN	5
5-1437141-3	FSN-22.5A-6= JUMPER NOMEX	2.54	63.5	3.18	0.35MAX	0.84MAX	φ0.51	0.25MIN	6
5-1437141-4	FSN-22.5A-7= JUMPER NOMEX	2.54	63.5	3.18	0.35MAX	0.84MAX	φ0.51	0.25MIN	7
5-1437141-5	FSN-22.5A-8= JUMPER NOMEX	2.54	63.5	3.18	0.35MAX	0.84MAX	φ0.51	0.25MIN	8
5-1437141-6	FSN-22.5A-9= JUMPER NOMEX	2.54	63.5	3.18	0.35MAX	0.84MAX	φ0.51	0.25MIN	9
2-1437142-8	FSN-22A-10= JUMPER NOMEX	2.54	50.8	3.18	0.35MAX	0.84MAX	φ0.51	0.25MIN	10
3-1437142-0	FSN-22A-11= JUMPER NOMEX	2.54	50.8	3.18	0.35MAX	0.84MAX	φ0.51	0.25MIN	11
3-1437142-2	FSN-22A-12= JUMPER NOMEX	2.54	50.8	3.18	0.35MAX	0.84MAX	φ0.51	0.25MIN	12
3-1437142-3	FSN-22A-13= JUMPER NOMEX	2.54	50.8	3.18	0.35MAX	0.84MAX	φ0.51	0.25MIN	13
3-1437142-4	FSN-22A-14= JUMPER NOMEX	2.54	50.8	3.18	0.35MAX	0.84MAX	φ0.51	0.25MIN	14
3-1437186-7	FSN-22A-14PA= JUMPER (PA4.0)	2.54	50.8	3.18	0.35MAX	0.84MAX	φ0.51	0.25MIN	14
3-1437142-5	FSN-22A-15= JUMPER NOMEX	2.54	50.8	3.18	0.35MAX	0.84MAX	φ0.51	0.25MIN	15
3-1437142-6	FSN-22A-16= JUMPER NOMEX	2.54	50.8	3.18	0.35MAX	0.84MAX	φ0.51	0.25MIN	16
3-1437142-7	FSN-22A-17= JUMPER NOMEX	2.54	50.8	3.18	0.35MAX	0.84MAX	φ0.51	0.25MIN	17
3-1437142-8	FSN-22A-18= JUMPER NOMEX	2.54	50.8	3.18	0.35MAX	0.84MAX	φ0.51	0.25MIN	18
3-1437142-9	FSN-22A-19= JUMPER NOMEX	2.54	50.8	3.18	0.35MAX	0.84MAX	φ0.51	0.25MIN	19
4-1437142-0	FSN-22A-2= JUMPER NOMEX	2.54	50.8	3.18	0.35MAX	0.84MAX	φ0.51	0.25MIN	2
4-1437142-1	FSN-22A-20= JUMPER NOMEX	2.54	50.8	3.18	0.35MAX	0.84MAX	φ0.51	0.25MIN	20
5-1447186-8	FSN-22A-20PA= JUMPER (PA4.0)	2.54	50.8	3.18	0.35MAX	0.84MAX	φ0.51	0.25MIN	20
5-1447186-7	FSN-22A-20= JUMPER FORMING	2.54	50.8	3.18	0.35MAX	0.84MAX	φ0.51	0.25MIN	20
4-1437142-3	FSN-22A-21= JUMPER NOMEX	2.54	50.8	3.18	0.35MAX	0.84MAX	φ0.51	0.25MIN	21
6-1447186-5	FSN-22A-21PA= JUMPER (PA4.0)	2.54	50.8	3.18	0.35MAX	0.84MAX	φ0.51	0.25MIN	21
4-1437142-4	FSN-22A-22= JUMPER NOMEX	2.54	50.8	3.18	0.35MAX	0.84MAX	φ0.51	0.25MIN	22
4-1437142-5	FSN-22A-23= JUMPER NOMEX	2.54	50.8	3.18	0.35MAX	0.84MAX	φ0.51	0.25MIN	23
4-1437142-6	FSN-22A-24= JUMPER NOMEX	2.54	50.8	3.18	0.35MAX	0.84MAX	φ0.51	0.25MIN	24
4-1437142-9	FSN-22A-25= JUMPER NOMEX	2.54	50.8	3.18	0.35MAX	0.84MAX	φ0.51	0.25MIN	25
5-1437142-0	FSN-22A-26= JUMPER NOMEX	2.54	50.8	3.18	0.35MAX	0.84MAX	φ0.51	0.25MIN	26
7-1447186-7	FSN-22A-28= JUMPER NOMEX	2.54	50.8	3.18	0.35MAX	0.84MAX	φ0.51	0.25MIN	28
5-1437142-2	FSN-22A-3= JUMPER NOMEX	2.54	50.8	3.18	0.35MAX	0.84MAX	φ0.51	0.25MIN	3
5-1437142-3	FSN-22A-30= JUMPER NOMEX	2.54	50.8	3.18	0.35MAX	0.84MAX	φ0.51	0.25MIN	30
8-1447186-5	FSN-22A-31= JUMPER NOMEX	2.54	50.8	3.18	0.35MAX	0.84MAX	φ0.51	0.25MIN	31
8-1447186-8	FSN-22A-32PA= JUMPER (PA4.0)	2.54	50.8	3.18	0.35MAX	0.84MAX	φ0.51	0.25MIN	32
9-1447186-0	FSN-22A-34= JUMPER NOMEX	2.54	50.8	3.18	0.35MAX	0.84MAX	φ0.51	0.25MIN	34
9-1447186-1	FSN-22A-37= JUMPER NOMEX	2.54	50.8	3.18	0.35MAX	0.84MAX	φ0.51	0.25MIN	37
5-1437142-9	FSN-22A-4= JUMPER NOMEX	2.54	50.8	3.18	0.35MAX	0.84MAX	φ0.51	0.25MIN	4
9-1447186-7	FSN-22A-4PA= JUMPER (PA4.0)	2.54	50.8	4.00	0.35MAX	0.84MAX	φ0.51	0.25MIN	4
6-1437142-2	FSN-22A-5= JUMPER NOMEX	2.54	50.8	3.18	0.35MAX	0.84MAX	φ0.51	0.25MIN	5
1447187-1	FSN-22A-5PA= JUMPER (PA4.0)	2.54	50.8	4.00	0.35MAX	0.84MAX	φ0.51	0.25MIN	5
6-1437142-7	FSN-22A-6= JUMPER NOMEX	2.54	50.8	3.18	0.35MAX	0.84MAX	φ0.51	0.25MIN	6
6-1437142-9	FSN-22A-7= JUMPER NOMEX	2.54	50.8	3.18	0.35MAX	0.84MAX	φ0.51	0.25MIN	7
7-1437142-2	FSN-22A-8= JUMPER NOMEX	2.54	50.8	3.18	0.35MAX	0.84MAX	φ0.51	0.25MIN	8
1447178-7	FSN-22A-8PA= JUMPER NOMEX	2.54	50.8	4.00	0.35MAX	0.84MAX	φ0.51	0.25MIN	8
7-1437142-5	FSN-22A-9= JUMPER NOMEX	2.54	50.8	3.18	0.35MAX	0.84MAX	φ0.51	0.25MIN	9
1-1447187-3	FSN-22AB-8= JUMPER NOMEX	2.54	50.8	3.18	0.35MAX	0.84MAX	φ0.51	0.25MIN	8
1437143-2	FSN-22B-20= JUMPER NOMEX	2.54	50.8	3.18	0.35MAX	0.84MAX	φ0.51	0.25MIN	20
6-1437143-4	FSN-23.5A-10= JUMPER NOMEX	2.54	88.9	3.18	0.35MAX	0.84MAX	φ0.51	0.25MIN	10
6-1437143-5	FSN-23.5A-11= JUMPER NOMEX	2.54	88.9	3.18	0.35MAX	0.84MAX	φ0.51	0.25MIN	11
6-1437143-6	FSN-23.5A-12= JUMPER NOMEX	2.54	88.9	3.18	0.35MAX	0.84MAX	φ0.51	0.25MIN	12
6-1437143-8	FSN-23.5A-14= JUMPER NOMEX	2.54	88.9	3.18	0.35MAX	0.84MAX	φ0.51	0.25MIN	14
2069384-1	FSN-23.5A-21= JUMPER NOMEX	2.54	88.9	3.18	0.35MAX	0.84MAX	φ0.51	0.25MIN	21

THIS DRAWING IS A CONTROLLED DOCUMENT.

DIMENSIONS: mm

TOLERANCES UNLESS OTHERWISE SPECIFIED:

0 PLC ± -  
 1 PLC ± -  
 2 PLC ± -  
 3 PLC ± -  
 4 PLC ± -  
 ANGLES ± -

MATERIAL: - FINISH: -

DWN: -  
 CHK: -  
 APVD: -

SEE SHEET 1

PRODUCT SPEC: 108-78002

APPLICATION SPEC: -


WEIGHT: 0

CUSTOMER DRAWING

NAME: FLEXSTRIP JUMPER

SIZE: A3 CAGE CODE: 00779 DRAWING NO: C=1447169 RESTRICTED TO: -

SCALE: NTS SHEET: 9 of 10 REV: A18



TE Connectivity Ltd.

REVISIONS				
P	LTR	DESCRIPTION	DATE	APVD
-	-	SEE SHEET 1	-	-

# FSN SERIES NO.4

P/N	Description	Pitch (A)	Tape Length (B)	Pin Length (C)	Tape Thickness (D)	Tape Thickness (E)	Pin Diameter (F)	Margin (G)	POS
8-1437143-5	FSN-23A-8= JUMPER NOMEX	2.54	88.9	3.18	0.35MAX	0.84MAX	φ0.51	0.25MIN	8
8-1437143-6	FSN-23A-9= JUMPER NOMEX	2.54	88.9	3.18	0.35MAX	0.84MAX	φ0.51	0.25MIN	9
2-1437144-5	FSN-23A-10= JUMPER NOMEX	2.54	76.2	3.18	0.35MAX	0.84MAX	φ0.51	0.25MIN	10
2-1437144-7	FSN-23A-11= JUMPER NOMEX	2.54	76.2	3.18	0.35MAX	0.84MAX	φ0.51	0.25MIN	11
3-1437144-0	FSN-23A-13= JUMPER NOMEX	2.54	76.2	3.18	0.35MAX	0.84MAX	φ0.51	0.25MIN	13
3-1437144-1	FSN-23A-14= JUMPER NOMEX	2.54	76.2	3.18	0.35MAX	0.84MAX	φ0.51	0.25MIN	14
3-1437144-3	FSN-23A-15= JUMPER NOMEX	2.54	76.2	3.18	0.35MAX	0.84MAX	φ0.51	0.25MIN	15
3-1437144-4	FSN-23A-16= JUMPER NOMEX	2.54	76.2	3.18	0.35MAX	0.84MAX	φ0.51	0.25MIN	16
3-1437144-5	FSN-23A-17= JUMPER NOMEX	2.54	76.2	3.18	0.35MAX	0.84MAX	φ0.51	0.25MIN	17
3-1437144-6	FSN-23A-18= JUMPER NOMEX	2.54	76.2	3.18	0.35MAX	0.84MAX	φ0.51	0.25MIN	18
4-1447187-2	FSN-23A-18-3.5=JUMPER (PL3.5)	2.54	76.2	3.50	0.35MAX	0.84MAX	φ0.51	0.25MIN	18
3-1437144-8	FSN-23A-19= JUMPER NOMEX	2.54	76.2	3.18	0.35MAX	0.84MAX	φ0.51	0.25MIN	19
4-1437144-0	FSN-23A-20= JUMPER NOMEX	2.54	76.2	3.18	0.35MAX	0.84MAX	φ0.51	0.25MIN	20
4-1437144-2	FSN-23A-21= JUMPER NOMEX	2.54	76.2	3.18	0.35MAX	0.84MAX	φ0.51	0.25MIN	21
4-1437144-3	FSN-23A-22= JUMPER NOMEX	2.54	76.2	3.18	0.35MAX	0.84MAX	φ0.51	0.25MIN	22
4-1437144-4	FSN-23A-23= JUMPER NOMEX	2.54	76.2	3.18	0.35MAX	0.84MAX	φ0.51	0.25MIN	23
4-1437144-5	FSN-23A-24= JUMPER NOMEX	2.54	76.2	3.18	0.35MAX	0.84MAX	φ0.51	0.25MIN	24
4-1437144-6	FSN-23A-25= JUMPER NOMEX	2.54	76.2	3.18	0.35MAX	0.84MAX	φ0.51	0.25MIN	25
4-1437144-7	FSN-23A-26= JUMPER NOMEX	2.54	76.2	3.18	0.35MAX	0.84MAX	φ0.51	0.25MIN	26
5-1437144-1	FSN-23A-30= JUMPER NOMEX	2.54	76.2	3.18	0.35MAX	0.84MAX	φ0.51	0.25MIN	30
5-1437144-6	FSN-23A-4= JUMPER NOMEX	2.54	76.2	3.18	0.35MAX	0.84MAX	φ0.51	0.25MIN	4
5-1437144-8	FSN-23A-5= JUMPER NOMEX	2.54	76.2	3.18	0.35MAX	0.84MAX	φ0.51	0.25MIN	5
5-1437144-9	FSN-23A-6= JUMPER NOMEX	2.54	76.2	3.18	0.35MAX	0.84MAX	φ0.51	0.25MIN	6
6-1447187-9	FSN-23A-6PA=JUMPER (PA4.0)	2.54	76.2	4.00	0.35MAX	0.84MAX	φ0.51	0.25MIN	6
6-1437144-0	FSN-23A-7= JUMPER NOMEX	2.54	76.2	3.18	0.35MAX	0.84MAX	φ0.51	0.25MIN	7
7-1447187-8	FSN-23A-8-3.5=JUMPER (PL3.5)	2.54	76.2	3.18 <sup>0.76</sup>	0.35MAX	0.84MAX	φ0.51	0.25MIN	8
7-1447187-1	FSN-23A-11-3.5=JUMPER (PL3.5)	2.54	76.2	3.18 <sup>0.76</sup>	0.35MAX	0.84MAX	φ0.51	0.25MIN	11
3-1447187-1	FSN-23A-8= JUMPER NOMEX	2.54	76.2	3.18	0.35MAX	0.84MAX	φ0.51	0.25MIN	8
6-1437144-2	FSN-23A-9= JUMPER NOMEX	2.54	76.2	3.18	0.35MAX	0.84MAX	φ0.51	0.25MIN	9
6-1437144-3	FSN-23B-12=JUMPER NOMEX	2.54	76.2	3.18	0.35MAX	0.84MAX	φ0.51	0.25MIN	12
7-1447187-8	FSN-24A-10= JUMPER NOMEX	2.54	101.6	3.18	0.35MAX	0.84MAX	φ0.51	0.25MIN	10
4-1437145-8	FSN-24A-12= JUMPER NOMEX	2.54	101.6	3.18	0.35MAX	0.84MAX	φ0.51	0.25MIN	12
5-1437145-1	FSN-24A-12PA= JUMPER NOMEX	2.54	101.6	4.00	0.35MAX	0.84MAX	φ0.51	0.25MIN	12
8-1447178-7	FSN-24A-14= JUMPER NOMEX	2.54	101.6	3.18	0.35MAX	0.84MAX	φ0.51	0.25MIN	14
5-1437145-4	FSN-24A-15= JUMPER NOMEX	2.54	101.6	3.18	0.35MAX	0.84MAX	φ0.51	0.25MIN	15
5-1437145-6	FSN-24A-16= JUMPER NOMEX	2.54	101.6	3.18	0.35MAX	0.84MAX	φ0.51	0.25MIN	16
6-1437145-4	FSN-24A-2= JUMPER NOMEX	2.54	101.6	3.18	0.35MAX	0.84MAX	φ0.51	0.25MIN	2
6-1437145-5	FSN-24A-20= JUMPER NOMEX	2.54	101.6	3.18	0.35MAX	0.84MAX	φ0.51	0.25MIN	20
7-1437145-1	FSN-24A-25= JUMPER NOMEX	2.54	101.6	3.18	0.35MAX	0.84MAX	φ0.51	0.25MIN	25
8-1437145-1	FSN-24A-4= JUMPER NOMEX	2.54	101.6	3.18	0.35MAX	0.84MAX	φ0.51	0.25MIN	4
8-1437145-4	FSN-24A-5= JUMPER NOMEX	2.54	101.6	3.18	0.35MAX	0.84MAX	φ0.51	0.25MIN	5
8-1437145-6	FSN-24A-7= JUMPER NOMEX	2.54	101.6	3.18	0.35MAX	0.84MAX	φ0.51	0.25MIN	7
8-1437145-8	FSN-24A-8= JUMPER NOMEX	2.54	101.6	3.18	0.35MAX	0.84MAX	φ0.51	0.25MIN	8
8-1437145-9	FSN-24A-9= JUMPER NOMEX	2.54	101.6	3.18	0.35MAX	0.84MAX	φ0.51	0.25MIN	9
2-1447188-2	FSN-25A-10=JUMPER NOMEX	2.54	127.0	3.18	0.35MAX	0.84MAX	φ0.51	0.25MIN	10
2-1447188-4	FSN-25A-11=JUMPER NOMEX	2.54	127.0	3.18	0.35MAX	0.84MAX	φ0.51	0.25MIN	11
4-1437146-5	FSN-25A-14=JUMPER NOMEX	2.54	127.0	3.18	0.35MAX	0.84MAX	φ0.51	0.25MIN	14
2-1447188-8	FSN-25A-15=JUMPER NOMEX	2.54	127.0	3.18	0.35MAX	0.84MAX	φ0.51	0.25MIN	15
3-1447188-3	FSN-25A-20=JUMPER NOMEX	2.54	127.0	3.18	0.35MAX	0.84MAX	φ0.51	0.25MIN	20
3-1447188-6	FSN-25A-22=JUMPER NOMEX	2.54	127.0	3.18	0.35MAX	0.84MAX	φ0.51	0.25MIN	22
4-1447188-0	FSN-25A-3=JUMPER NOMEX	2.54	127.0	3.18	0.35MAX	0.84MAX	φ0.51	0.25MIN	3
4-1447188-7	FSN-25A-6=JUMPER NOMEX	2.54	127.0	3.18	0.35MAX	0.84MAX	φ0.51	0.25MIN	6
4-1447188-9	FSN-25A-7=JUMPER NOMEX	2.54	127.0	3.18	0.35MAX	0.84MAX	φ0.51	0.25MIN	7
5-1447188-5	FSN-25A-9=JUMPER NOMEX	2.54	127.0	3.18	0.35MAX	0.84MAX	φ0.51	0.25MIN	9
9-1437146-1	FSN-26A-12= JUMPER NOMEX	2.54	152.4	3.18	0.35MAX	0.84MAX	φ0.51	0.25MIN	12
9-1437146-3	FSN-26A-14= JUMPER NOMEX	2.54	152.4	3.18	0.35MAX	0.84MAX	φ0.51	0.25MIN	14
9-1437146-6	FSN-26A-16= JUMPER NOMEX	2.54	152.4	3.18	0.35MAX	0.84MAX	φ0.51	0.25MIN	16
6-1447188-3	FSN-26A-2=JUMPER NOMEX	2.54	152.4	3.18	0.35MAX	0.84MAX	φ0.51	0.25MIN	2
1437147-9	FSN-26A-4=JUMPER NOMEX	2.54	152.4	3.18	0.35MAX	0.84MAX	φ0.51	0.25MIN	4
1-1437147-1	FSN-26A-5=JUMPER NOMEX	2.54	152.4	3.18	0.35MAX	0.84MAX	φ0.51	0.25MIN	5
1-1437147-3	FSN-26A-7=JUMPER NOMEX	2.54	152.4	3.18	0.35MAX	0.84MAX	φ0.51	0.25MIN	7
6-1447188-8	FSN-26A-8=JUMPER NOMEX	2.54	152.4	3.18	0.35MAX	0.84MAX	φ0.51	0.25MIN	8
8-1437147-9	FSN-28A-3= JUMPER NOMEX	2.54	203.2	3.18	0.35MAX	0.84MAX	φ0.51	0.25MIN	3
9-1437147-1	FSN-28A-4= JUMPER NOMEX	2.54	203.2	3.18	0.35MAX	0.84MAX	φ0.51	0.25MIN	4
9-1437147-2	FSN-28A-5= JUMPER NOMEX	2.54	203.2	3.18	0.35MAX	0.84MAX	φ0.51	0.25MIN	5
9-1447188-0	FSN-29A-4=JUMPER NOMEX	2.54	228.6	3.18	0.35MAX	0.84MAX	φ0.51	0.25MIN	4
4-1437148-7	FSN-31A-3= JUMPER NOMEX	3.18	25.4	3.18	0.35MAX	0.84MAX	φ0.51	0.25MIN	3
8-1437149-9	FSN-52A-17=JUMPER NOMEX	5.08	50.8	3.18	0.35MAX	0.84MAX	φ0.51	0.25MIN	17
9-1437149-1	FSN-52A-2= JUMPER NOMEX	5.08	50.8	3.18	0.35MAX	0.84MAX	φ0.51	0.25MIN	2

THIS DRAWING IS A CONTROLLED DOCUMENT.		DWN	-
		CHK	-
		APVD	-
		PRODUCT SPEC	108-78002
		APPLICATION SPEC	-
		WEIGHT	0
DIMENSIONS: mm		TOLERANCES UNLESS OTHERWISE SPECIFIED:	
		0 PLC ± - 1 PLC ± - 2 PLC ± - 3 PLC ± - 4 PLC ± - ANGLES ± -	
MATERIAL		FINISH	
CUSTOMER DRAWING		SCALE NTS	
DWN -		SHEET 10 OF 10	
CHK -		REV A18	
APVD -		RESTRICTED TO -	
NAME		FLEXSTRIP JUMPER	
SIZE		CAGE CODE	
A3		00779	
DRAWING NO		G=1447169	

