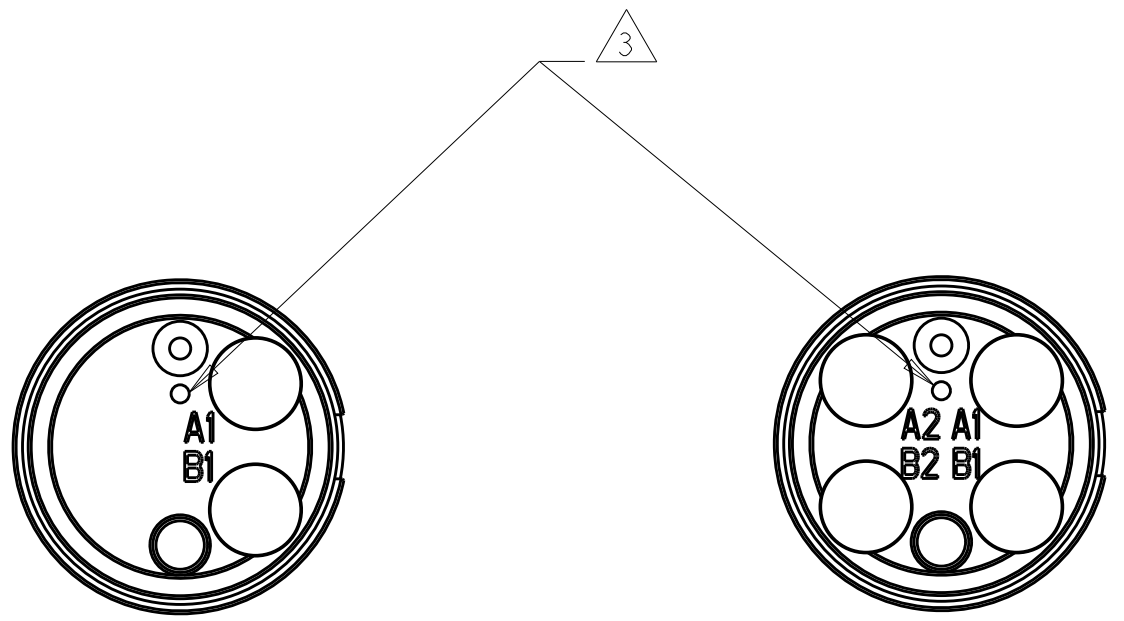
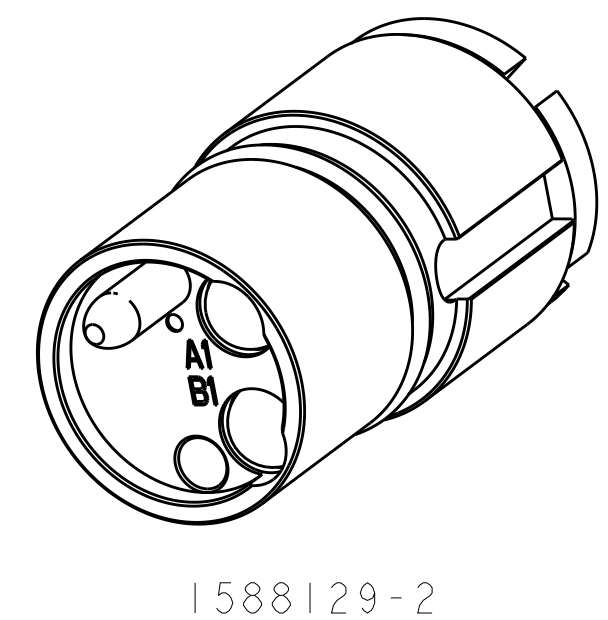
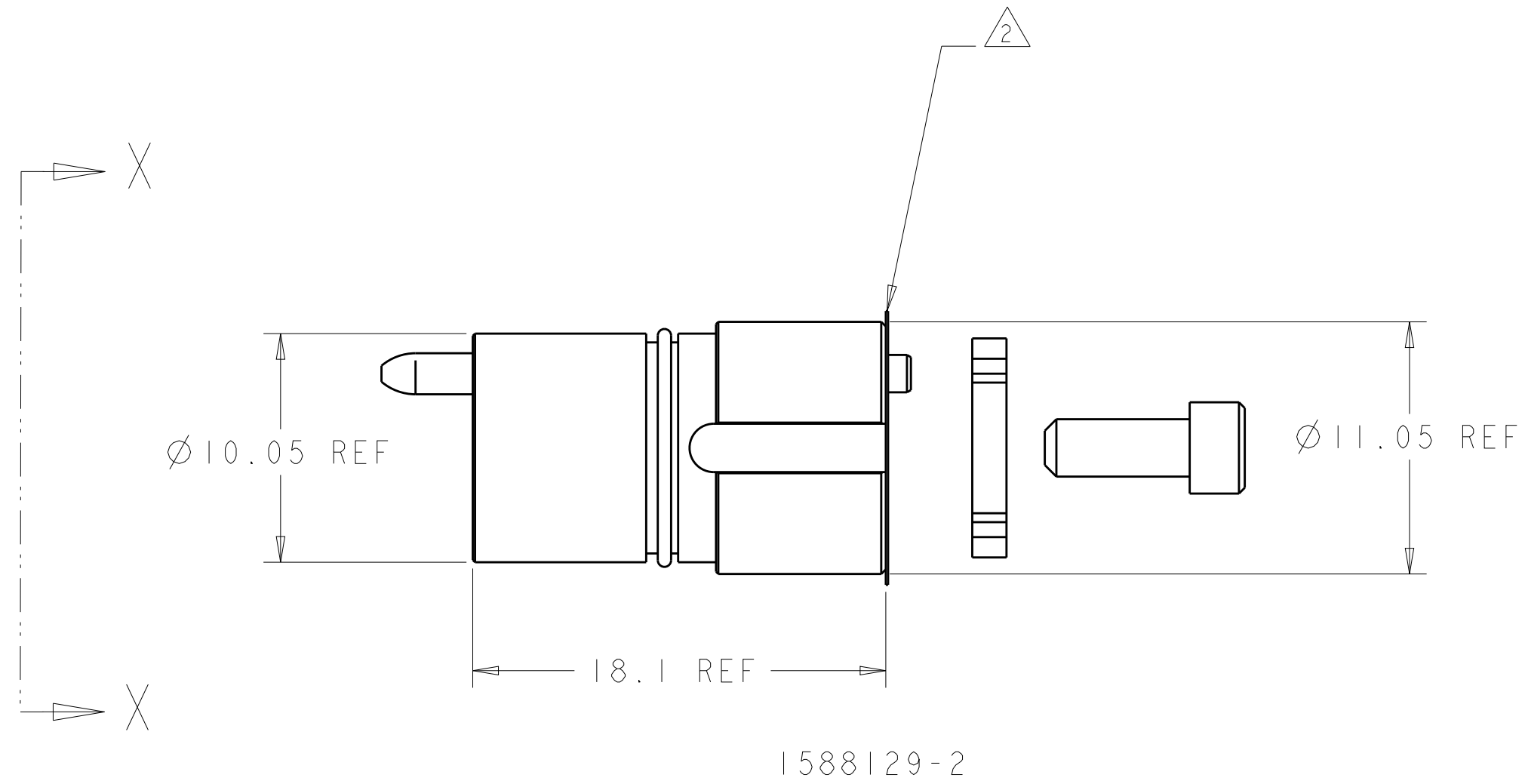


THIS DRAWING IS UNPUBLISHED. RELEASED FOR PUBLICATION 20
 © COPYRIGHT 20 BY - ALL RIGHTS RESERVED.

REVISIONS					
P	LTR	DESCRIPTION	DATE	DWN	APVD
E	I	ECR-09-024182	05NOV2009	KG	DW
F		ECR-17-001097	25JAN2017	KG	DW

- 1. THIS PRODUCT HAS NOT COMPLETED VALIDATION TESTING.
- 2. PROTECTIVE LABEL APPLIED AFTER FINAL CLEAN ROOM TEST TO PREVENT OPTICAL CAVITY CONTAMINATION. REMOVE ONLY WHEN READY TO ASSEMBLE.
- 3. SINGLEMODE IDENTIFIER
- 4. FOR USE WITH JACKETED CABLE FERRULE ASSEMBLY P/N 1754456-1, 125um, OR 1754456-2, 126um. ONE PER FIBER; PC-POLISH.
- 5. FOR USE WITH FERRULE ASSEMBLY KIT P/N 1754700-1, 125um, OR 1754700-3, 125.5um. ONE PER FIBER; PC-POLISH.



VIEW X-X
 (SHOWN WITHOUT PROTECTIVE LABEL)

4	4 CHANNEL, 1310/1550nm SM	1588129-5
4	2 CHANNEL, 1310/1550nm SM	1588129-4
5	4 CHANNEL, 1310/1550nm SM	1588129-3
5	2 CHANNEL, 1310/1550nm SM	1588129-2
DESCRIPTION		PART NUMBER

THIS DRAWING IS A CONTROLLED DOCUMENT.		DWN 16 APR 2004 K. GLATFELTER	Tyco Electronics STE TE Connectivity	
DIMENSIONS: mm		CHK 07 JUN 2004 D. WERTMAN	NAME INSERT ASSEMBLY, MINI EB, 1310/1550nm, SM	
TOLERANCES UNLESS OTHERWISE SPECIFIED:		APVD 07 JUN 2004 D. WERTMAN	PRODUCT SPEC -	
0 PLC ±		APPLICATION SPEC -		
1 PLC ±		SIZE A2		
2 PLC ±		CAGE CODE 00779		
3 PLC ±		DRAWING NO C-1588129		
4 PLC ±		RESTRICTED TO -		
ANGLES ±		WEIGHT -		
FINISH N/A		SCALE 4:1		
MATERIAL STAINLESS ALLOYS & NBR		SHEET OF REV F		
		CUSTOMER DRAWING		