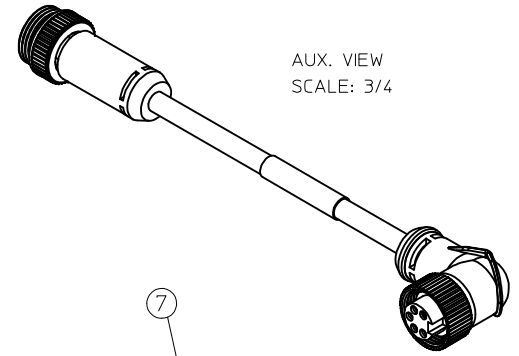


| PART NUMBER | ENGINEERING NO. | LENGTH |
|-------------|-----------------|--------------------------------------|
| 1300250546 | DNDF91A-M010 | 3' 3" +2.19 - 0 [1.0M +55.6 - 0] |
| 1300250547 | DNDF91A-M030 | 9' 10" +3.50 - 0 [3.0M +88.9 - 0] |
| 1300250548 | DNDF91A-M050 | 16' 5" +6.50 - 0 [5.0M +165.1 - 0] |

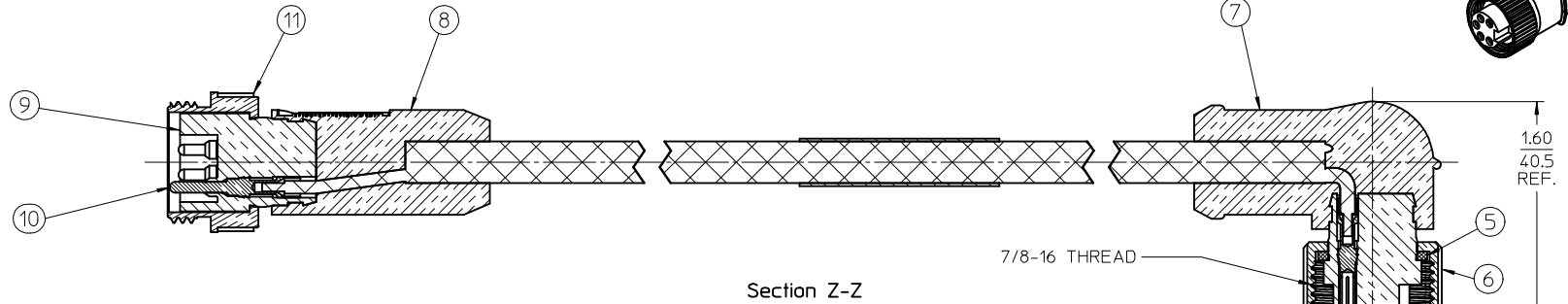
- NOTES:
1. MATERIAL: SEE TABLE
 2. FINISHES: SEE TABLE
 3. CABLE ASSEMBLIES ARE BAGGED SEPERATELY IN POLY BAGS WITH BARCODE LABEL ATTACHED TO OUTSIDE OF BAG
 4. WRAP LABEL IS MARKED WITH P/N, DATE CODE VOLTAGE & AMPERAGE
 5. MATES WITH: MINI CHANGE, A-SIZE 5 POLE RECEPTACLE
 6. ELECTRICAL SPECIFICATIONS:
VOLTAGE RATING: 300V
CURRENT RATING: 4 AMPS
 7. ASSEMBLY IS RoHS COMPLIANT



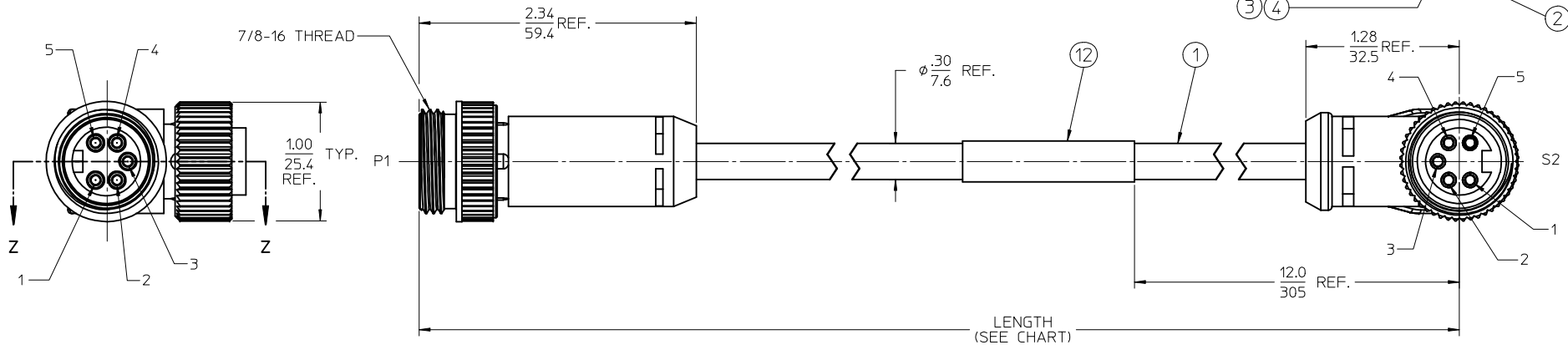
AUX. VIEW
SCALE: 3/4

| P1 | | S2 |
|----|-------------|----|
| 1 | DRAIN | 1 |
| 2 | RED +V | 2 |
| 3 | BLACK -V | 3 |
| 4 | WHITE CAN H | 4 |
| 5 | BLUE CAN L | 5 |

WIRING DIAGRAM



Section Z-Z



| ITEM | QTY. | DESCRIPTION | MATERIAL | FINISH |
|------|------|-------------------------------------|---------------|--------------|
| 12 | 1 | LABEL | PLASTIC FILM | BLACK/YELLOW |
| 11 | 1 | COUPLING NUT, MALE | ZINC DIE CAST | BLACK |
| 10 | 5 | CONTACT PIN, 22 AWG | BRASS | GOLD PLATED |
| 9 | 1 | INSERT, MALE, 5 POLE | PVC | GRAY |
| 8 | 1 | OVERMOLD, STRAIGHT | PVC | GRAY |
| 7 | 1 | OVERMOLD, 90 DEG | PVC | GRAY |
| 6 | 1 | COUPLING NUT, FEMALE | ZINC DIE CAST | BLACK |
| 5 | 1 | FRICION RING | NYLON | WHITE |
| 4 | 5 | SOCKET SLEEVE | ST. STEEL | |
| 3 | 5 | CONTACT SOCKET, 22 AWG | BRASS | GOLD PLATED |
| 2 | 1 | INSERT, FEMALE, 5 POLE | PVC | GRAY |
| 1 | 1 | CABLE, DEV-NET, DROP, HI-FLEX, 4/22 | TPE JACKET | GRAY |

| | | | |
|----------|---------------------|----------------|------------|
| RELEASED | EC NO: MNA2010-0073 | DRWNR:STONE | 2009/07/31 |
| | | CHKD:B.WOODMAN | |
| | | APPR:J.MURPHY | 2009/08/10 |
| REV | DESCRIPTION | | |
| A | | | |

| | |
|-----------------|--|
| QUALITY SYMBOLS | GENERAL TOLERANCES (UNLESS SPECIFIED) |
| ▽=0 | |
| ▽=0 | |
| | DRAFT WHERE APPLICABLE MUST REMAIN WITHIN DIMENSIONS |

| | | | | |
|-----------------|------------|--|--------------|------------------------|
| DIMENSION STYLE | | SCALE | DESIGN UNITS | THIRD ANGLE PROJECTION |
| IN/MM | | 1.5:1 | INCH | |
| DRAWN BY | DATE | TITLE | | |
| R.STONE | 2009/07/30 | MINI-CHANGE, CORD ASSY MALE STRT/FEM 90 DEG DEV-NET, THIN, HI-FLEX | | |
| CHECKED BY | DATE | MATERIAL NO. | | |
| B.WOODMAN | 2009/07/31 | SEE CHART | | |
| APPROVED BY | DATE | DOCUMENT NO. | | |
| J.MURPHY | 2009/07/05 | SD-130025-022 | | |
| SIZE | | SHEET NO. | | |
| C | | 1 OF 1 | | |

| | | | | |
|---|--|---------------|--|-----------|
| MATERIAL NO. | | DOCUMENT NO. | | SHEET NO. |
| SEE CHART | | SD-130025-022 | | 1 OF 1 |
| THIS DRAWING CONTAINS INFORMATION THAT IS PROPRIETARY TO MOLEX INCORPORATED AND SHOULD NOT BE USED WITHOUT WRITTEN PERMISSION | | | | |