

PART No MATRIX :

E R W P A U 7 0 1 6 B K M X X X

E=ETHERNET

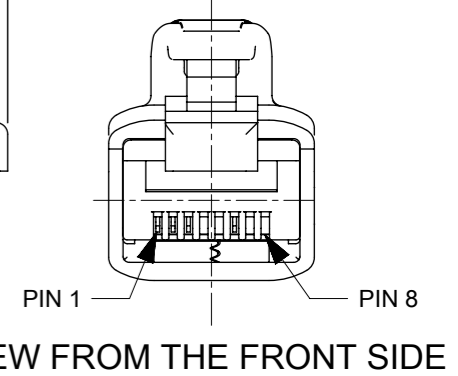
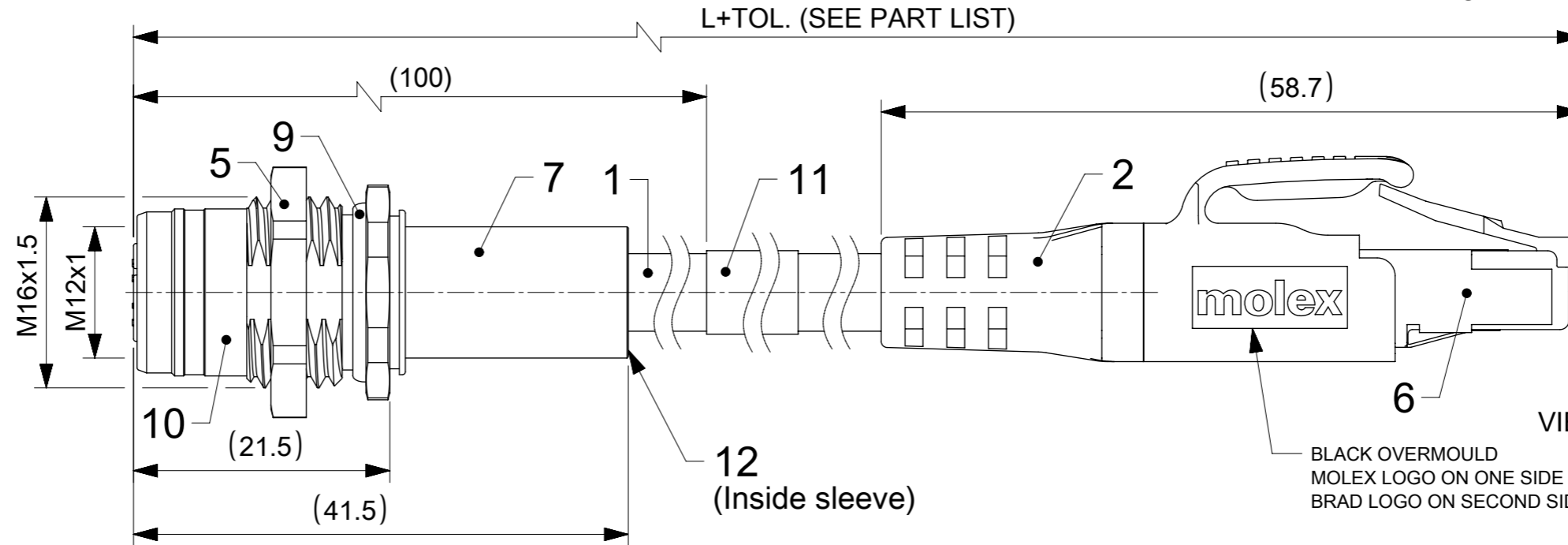
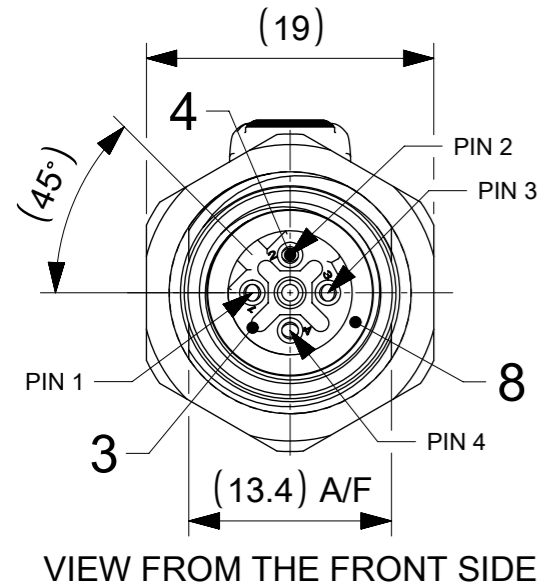
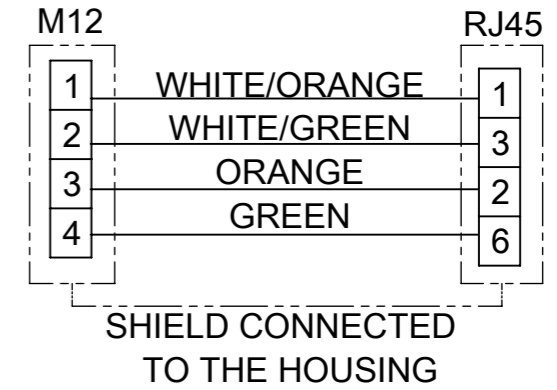
HEADS STYLE :
FEMALE STR REC / MALE STR

CABLE TYPE :

UNITS :
M= METER
T=10x METER

LENGTH EXAMPLES
005=0.5m
010=1m
150=15m

WIRING DIAGRAM



CONNECTOR SPECIFICATION :

VOLTAGE RATING : 60V
 AMPERAGE RATING : 1.5 A
 IP PROTECTION :
 RJ45 CONNECTOR : IP20
 M12 RECEPTACLE : IP67 (When mated and panel mounted)
 IP20 (Unmounted)
 OPERATING TEMPERATURE : -40°C TO 80°C

CABLE SPECIFICATION :

CONDUCTOR :
 MATERIAL : BARE COPPER
 SECTION : 19x0.12 mm²
 INSULATION :
 COMPOUND : POLYOLEFIN
 COLORS : ORANGE, ORANGE-WHITE,
 GREEN, GREEN-WHITE.
 DIAMETER : Ø1.20 NOMINAL
 JACKET :
 COMPOUND : PUR (TEAL)
 COLOR : TEAL
 DIAMETER : Ø6.5 NOMINAL

TRANSMISSION CHARACTERISTICS ACCORDING TO ISO/IEC 11801 CATEGORY 5e
 PATCH CORD PROFINET TYPE C

PART LIST

MOLEX PN	ENGINEERING NO.	L[mm]
1201088973	ERWPAU7016BKM005	500
1201088974	ERWPAU7016BKM010	1000
1201088975	ERWPAU7016BKM020	2000
1201088976	ERWPAU7016BKM030	3000
1201088977	ERWPAU7016BKM050	5000
1201088978	ERWPAU7016BKM100	10000

BOM

ITEM	QTY.	DESCRIPTION	MATERIAL	FINISH/COLOR
12	-	RESIN	-	-
11	1	LABEL	VINYL	YELLOW
10	1	M12 SHELL	BRASS	Ni-PLATED
9	1	O-RING	NBR	BLACK
8	1	GASKET	FPM	RED
7	1	CABLE SLEEVE	BRASS	Ni-PLATED
6	1	RJ45 PLUG	-	-
5	1	HEX. NUT	BRASS	Ni-PLATED
4	4	CONTACT 10 MALE	BRONZE	SELECTIVE GOLD NICKEL OVER
3	1	INSERT M12 MA 4P	PUR	BLACK
2	-	MOULDING MATERIAL	TPU	BLACK
1	-	CABLE	PUR	BLACK

CABLE LENGTH TOLERANCES	
LENGTH	TOLERANCE
0m-1m	+40 mm
>1m-5m	+60 mm
>5m-10m	+80 mm
>10m-20m	+140 mm
>20m-30m	+160 mm
>30m	+1% length

FUNCTIONAL SYMBOLS ▽A = 0 ▽E = 0 ▽V = 0	THIS DRAWING CONTAINS INFORMATION THAT IS PROPRIETARY TO MOLEX ELECTRONIC TECHNOLOGIES, LLC AND SHOULD NOT BE USED WITHOUT WRITTEN PERMISSION	SCALE 2:1	CURRENT REV DESC:	
	DIMENSION UNITS mm	GENERAL TOLERANCES (UNLESS SPECIFIED) ANGULAR TOL ± 1.0°		
DIVISIONAL SYMBOLS		4 PLACES ± 3 PLACES ± 2 PLACES ± 0.05 1 PLACE ± 0.3 0 PLACES ± 0.5	INITIAL REVISION: DRWN: MDHARMANTI 2021/08/09 APPR: RSILLER 2021/12/21	PRODUCT CUSTOMER DRAWING
		DRAFT WHERE APPLICABLE MUST REMAIN WITHIN DIMENSIONS	THIRD ANGLE PROJECTION	DOCUMENT NUMBER 1201088973
		A3-SIZE	SERIES 120108	DOC TYPE DOC PART REVISION PSD 000 A
				MATERIAL NUMBER CUSTOMER SEE PART LIST GENERAL MARKET
				SHEET NUMBER 1 OF 1