

PART NO.	ENGINEERING NO	L[mm]	POLE	RECEPTACLE MAT.
1200110257	8R5M26E03C3003	300	5	BRASS/NI PLATE
1200110267	8R4M26E03C1505	150	4	DELTRIN
1200700166	8R4M26E03C3001	300	4	ST. STEEL
1200700167	8R4M26E03C3003	300	4	BRASS/NI PLATE
1200700279	8R8M26E02C3005	300	8	DELTRIN
1200708070	8R8M26E02C3003	300	8	BRASS/NI PLATE
1200708084	8R4M26E03C5003	500	4	BRASS/NI PLATE
1200708085	8R8M26E03C5003	500	8	BRASS/NI PLATE
1200708088	8R4M26E03C3005	300	4	DELTRIN
1200708094	8R4M26E03M0103	1000	4	BRASS/NI PLATE

CABLE LENGTH TOLERANCES
 >.3M [1FT]: +19mm-0 [+ .75in-0]
 .3 - .9M [1 - 3FT]: +44.5mm-0 [+1.75in-0]
 .9 - 1.8M [3 - 6FT]: +55.6mm-0 [+2.19in-0]
 1.8 - 3.7M [6 - 12FT]: +88.9mm-0 [+3.50in-0]
 3.7 - 7.3M [12 - 24FT]: +165.1mm-0 [+6.50in-0]
 7.3-14.6M [24 - 48FT]: +317.5mm-0 [+12.50in-0]
 14.6 - 30.5M [48-100FT]: +622.3mm-0 [+24.50in-0]
 OVER 30M [100FT] +2% OF FINISHED LENGTH

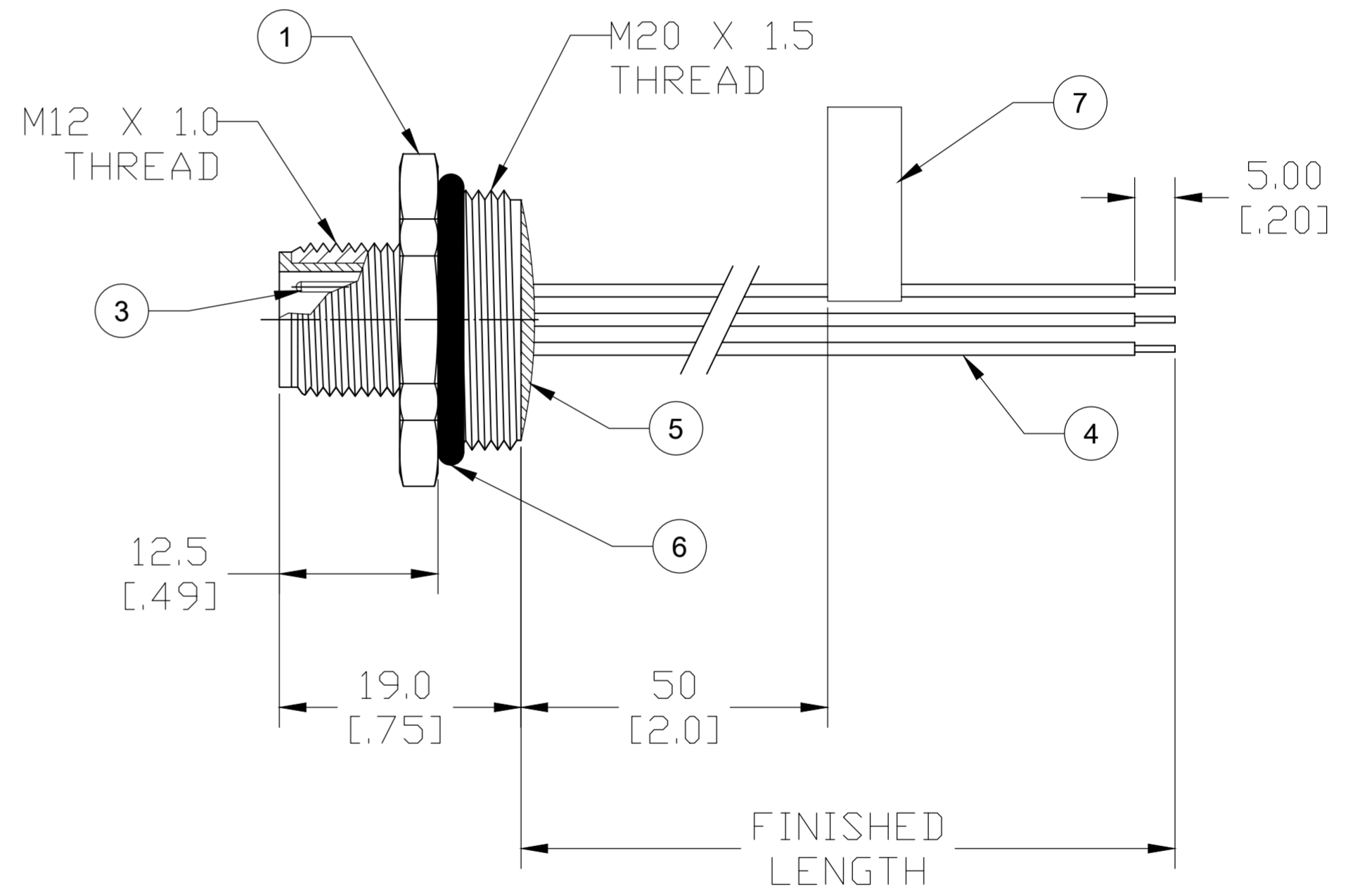
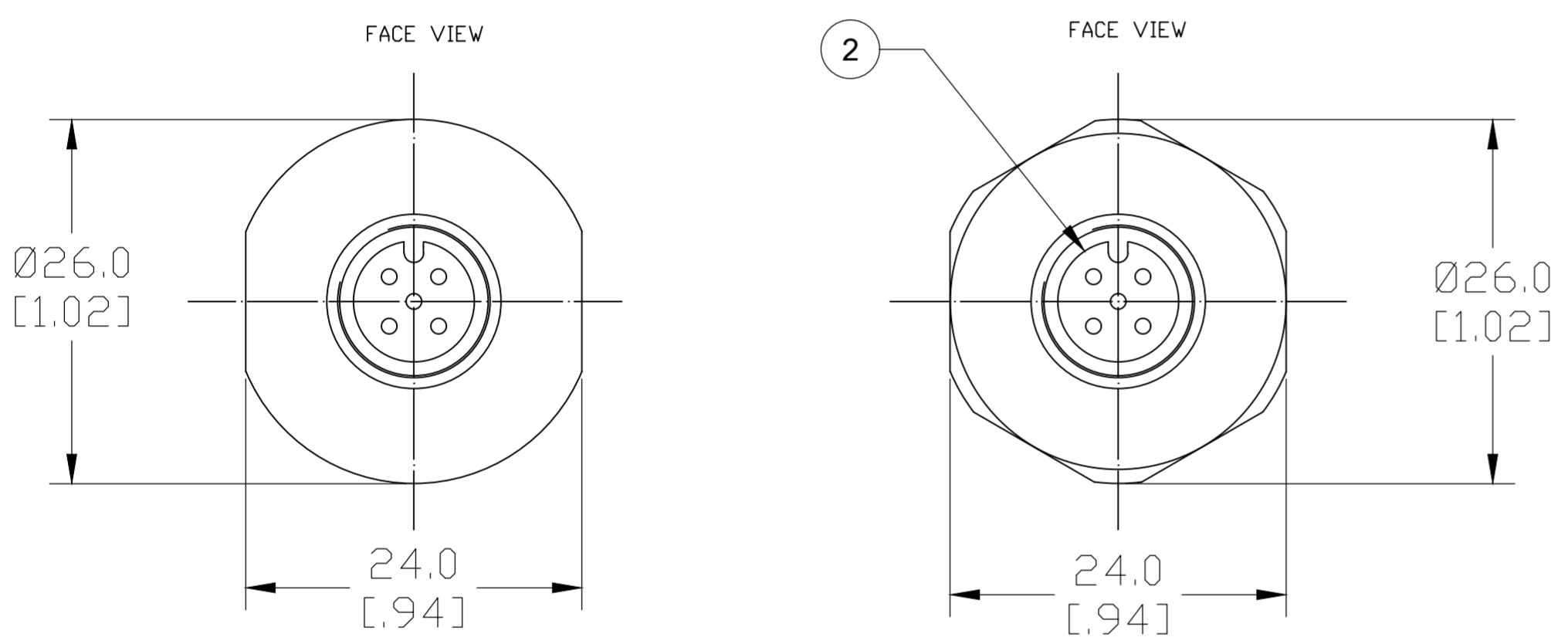
PART No MATRIX

8 R * M 2 6 E 0 3 * * * *

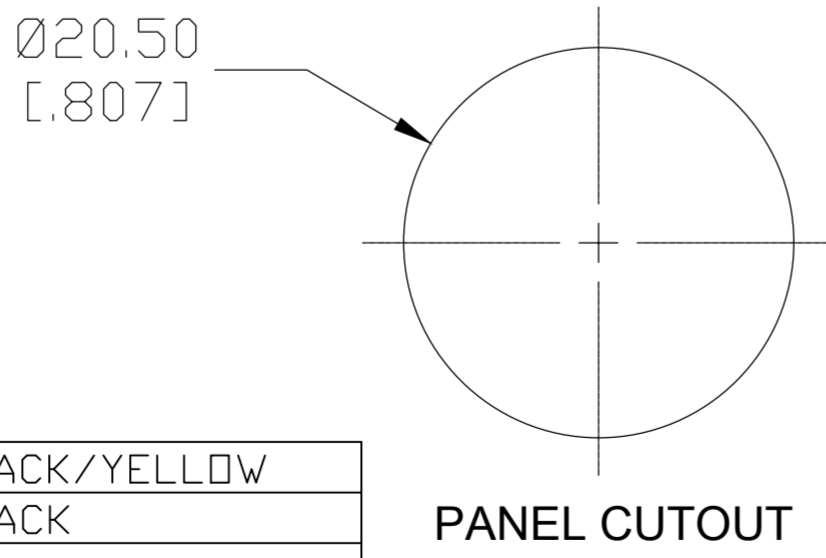
8=Micro Change R=Receptacle 3=3 Pole 4=4 Pole 5=5 Pole 8=8 Pole Male thread M12 Panel mount shell M20 Thd. E03=0.34mm PVC C=Centimeters M=Meters LENGTH 300=30cm (11.8 IN) 500=50cm (19.7 IN) 030=300cm (118 IN) Shell Material 1=Stainless Steel 3=Brass Nickel Plated (Standard) 5=Plastic (Delrin)

DELTRIN AND ST STEEL VERSION

BRASS (NICKEL PLATE) VERSION



- NOTES:**
1. MATERIAL: AS NOTED
 2. FINISH: AS NOTED
 3. ELECTRICAL:
 VOLTAGE: 250V (3, 4 & 5 POLE)
 CURRENT: 4A
 VOLTAGE: 30VAC/36VDC (8 POLE)
 CURRENT: 2A
 4. TEMP RATING: -20°C TO +105°C
 5. PROTECTION: IP67 (WHEN MATED)
 6. UL LISTED FILE: E152210
 7. ALL DIMS ARE FOR REFERENCE UNLESS TOLERANCED OR NOTED OTHERWISE



ITEM	DESCRIPTION	MATERIAL	FINISH
7	FLAG LABEL	VINYL	BLACK/YELLOW
6	O-RING	NITRILE	BLACK
5	POTTING MATERIAL	PUR	
4	WIRE 22AWG (UL1569)	PVC INSULATION	SEE FACE VIEW
3	CONTACT PIN	COPPER ALLOY	GOLD PLATED
2	MALE INSERT	NYLON	BLACK
1	RECEPTACLE SHELL	SEE P/N TABLE	SEE P/N TABLE
ITEM	DESCRIPTION	MATERIAL	FINISH

FUNCTIONAL SYMBOLS: THIS DRAWING CONTAINS INFORMATION THAT IS PROPRIETARY TO MOLEX ELECTRONIC TECHNOLOGIES, LLC AND SHOULD NOT BE USED WITHOUT WRITTEN PERMISSION

SCALE: MM/INCH

GENERAL TOLERANCES (UNLESS SPECIFIED): 4 PLACES ±.000 ±.000, 3 PLACES ±.000 ±.000, 2 PLACES ±.000 ±.000, 1 PLACE ±.000 ±.000, 0 PLACES ±.000 ±.000

ANGULAR TOL ±.000°

THIRD ANGLE PROJECTION

CURRENT REV DESC: OBSOLETE PART NUMBER

EC NO: 655037
 DRWN: VLOKESHA 2021/02/01
 CHK'D: VLOKESHA 2021/02/25
 APPR: GGA 2021/03/16

INITIAL REVISION:
 DRWN: RSTONE 2019/11/26
 APPR: BWOODMAN 2020/01/14

DOCUMENT NUMBER: 1200700166
 DOC TYPE: PSD
 DOC PART: 000
 REVISION: A1

PRODUCT CUSTOMER DRAWING

MATERIAL NUMBER: SEE TABLE
 CUSTOMER: ---
 SHEET NUMBER: 1 OF 1