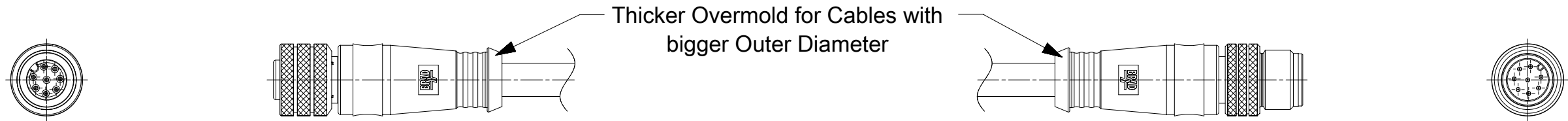
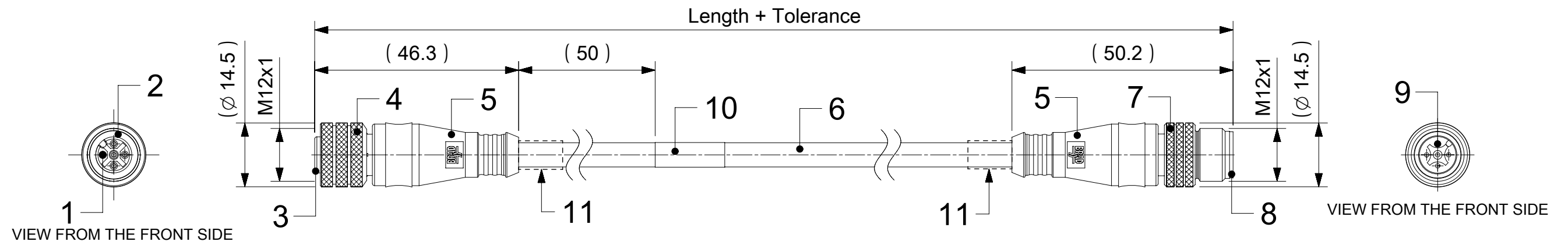


FEMALE PLUG M12 STRAIGHT TO MALE PLUG M12 STRAIGHT



NOTES:

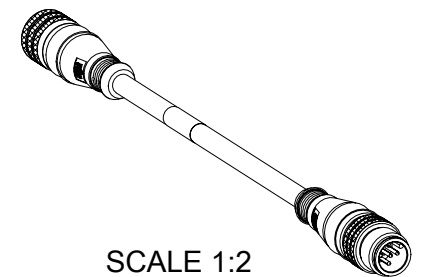
- RATED VOLTAGE: 3, 4 contacts 250V per IEC 60664
5 contacts 60V per IEC 60664
5 contacts 250V per UL 2238
8 contacts 30V per IEC 60664
- RATED CURRENT: 3, 4, 5 contacts 4A
8 contacts 2A
- PROTECTION CLASS: IP 67
- TEMPERATURE: -25°C / +85°C

CONTACTS POSITION FRONT VIEW:

| | 3 CONTACTS | | 4 CONTACTS | | 5 CONTACTS | | 8 CONTACTS | |
|-------------|------------|-------|------------|-------|------------|-------|------------|--------|
| FEMALE | | | | | | | | |
| MALE | | | | | | | | |
| CONNECTIONS | PIN | WIRE | PIN | WIRE | PIN | WIRE | PIN | WIRE |
| | 1 | BROWN | 1 | BROWN | 1 | BROWN | 1 | WHITE |
| | 2 | - | 2 | WHITE | 2 | WHITE | 2 | BROWN |
| | 3 | BLUE | 3 | BLUE | 3 | BLUE | 3 | GREEN |
| | 4 | BLACK | 4 | BLACK | 4 | BLACK | 4 | YELLOW |
| | | | | | 5 | GREY | 5 | GREY |
| | | | | | | | 6 | PINK |
| | | | | | | | 7 | BLUE |
| | | | | | | 8 | RED | |

CODING REQUIRED TO IEC 61076-2-101

Thicker Overmold for Cables with bigger Outer Diameter



SCALE 1:2

FOR OPTIONS SEE - NUMERICAL CODE - ON SHEET 2

| ITEM | QTY. | DESCRIPTION | MATERIAL | FINISH |
|------|---------------|---------------------|---------------|----------------------------|
| 11 | SEE SHEET 2 | ID CARRIER | PVC | TRANSPARENT |
| 10 | 1 | LABEL YELLOW | VINYL | - |
| 9 | 3 / 4 / 5 / 8 | CONTACT MALE | SEE PART LIST | SELECTIVE GOLD OVER NICKEL |
| 8 | 1 | INSERT MALE BLACK | TPU | - |
| 7 | 1 | COUPLING NUT MALE | - | - |
| 6 | - | CABLE | SEE SHEET 2 | - |
| 5 | - | OVERMOULDING BLACK | TPU | - |
| 4 | 1 | COUPLING NUT FEMALE | - | - |
| 3 | 1 | INSERT FEMALE BLACK | PUR | - |
| 2 | 1 | O-RING RED | FPM | - |
| 1 | 3 / 4 / 5 / 8 | CONTACT FEMALE | SEE PART LIST | SELECTIVE GOLD OVER NICKEL |

THIS DRAWING CONTAINS INFORMATION THAT IS PROPRIETARY TO MOLEX ELECTRONIC TECHNOLOGIES, LLC AND SHOULD NOT BE USED WITHOUT WRITTEN PERMISSION

| | | | | | | |
|--|--------|---|---------|-----------------------------------|-----------------|----------------|
| DIMENSION UNITS | SCALE | CURRENT REV DESC: REMOVED OBSOLETE PART NUMBER AS PER PCN#512871. | | molex | | |
| mm | 1:1 | | | | | |
| GENERAL TOLERANCES (UNLESS SPECIFIED) | | EC NO: 732259 | | CSE M12 XP AC FE STR MA STR XM DE | | |
| ANGULAR TOL | ± 1.0° | DRWN: SANTHN 2022/12/20 | | PRODUCT CUSTOMER DRAWING | | |
| 4 PLACES | ± | CHK'D: GGA 2022/12/21 | | DOCUMENT NUMBER | | |
| 3 PLACES | ± | APPR: GGA 2022/12/21 | | 1200668084 | | |
| 2 PLACES | ± 0.05 | INITIAL REVISION: | | DOC TYPE | | |
| 1 PLACE | ± 0.3 | DRWN: JMARSZALEK 2016/09/16 | | PSD | | |
| 0 PLACES | ± 0.5 | APPR: RSILLER 2016/12/08 | | 000 | | |
| DRAFT WHERE APPLICABLE MUST REMAIN WITHIN DIMENSIONS | | THIRD ANGLE PROJECTION | DRAWING | SERIES | MATERIAL NUMBER | CUSTOMER |
| | | | A3-SIZE | 120066 | SEE SHEET 3-4 | GENERAL MARKET |
| | | | | | | SHEET NUMBER |
| | | | | | | 1 OF 4 |

ENGINEERING NO. - NUMERICAL CODE (Available parts see PART LIST table. Other parts available upon request).

8 8 X 0 3 0 X X X X X X X X

88=Micro-Change
M12x1
Double ended

Contacts:
3=3 Contacts
4=4 Contacts
5=5 Contacts
8=8 Contacts

Heads style:
030=Plug Female Straight
to Plug Male Straight

Cable type: See Table

Units:
M=Meter
C=Centimeter

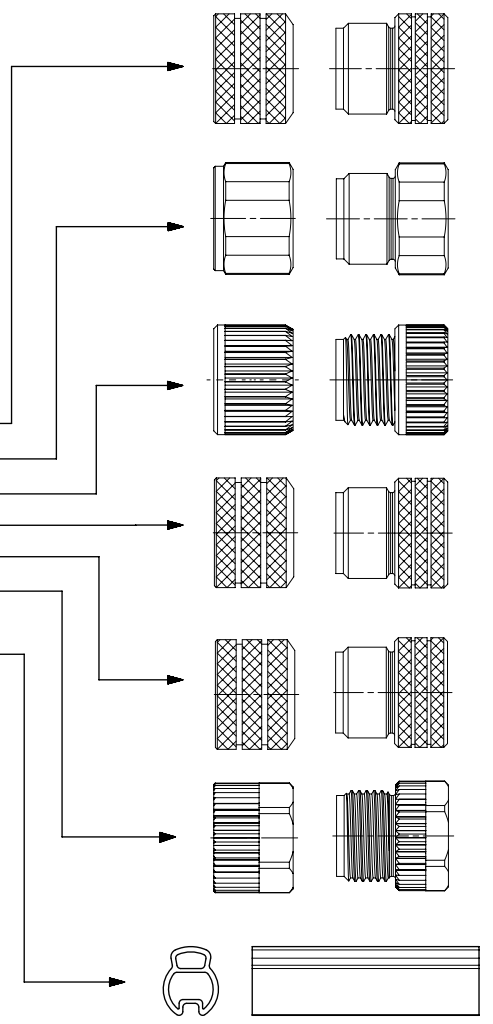
Length
Examples:
005=0.5 unit
010=1 unit
100=10 units

Overmold color:
Blank (Standard)=Black
A=Grey / G=Black / Y=Yellow

Coupling Nut:
Blank (Standard) & 3=Knurled Brass Ni Plated
1=Hexagonal Stainless steel
5=Knurled Derlin
7=Knurled Brass Ni Plated, Teflon Coated
8=Type 316 stainless steel
9=Knurled / Hexagonal Brass Ni Plated SW13

H= 2 pcs. of I/D Carrier PVC Transparent

COUPLING NUTS
FEMALE MALE



CABLE INFORMATION (for more information see Cable Data Sheet).

| CABLE TYPE | NO. OF WIRES | CROSS SECTION | CABLE JACKET | UL | CSA | STATIC: TEMP. / BENDING RADIUS | DYNAMIC: TEMP. / BENDING RADIUS | DRAG CHAIN | SHIELD |
|------------|---------------|---------------------|-----------------|----------------|--------------------------|--------------------------------|---------------------------------|---|--------|
| E02 | 3 / 4 / 5 / 8 | 0.25mm ² | PVC BLACK | UL 2464/1729 | C22.2 I/II A/B 80°C/300V | -30°C to +80°C, 10xO.D. | -10°C to +80°C, 15xO.D. | - | - |
| E03 | 3 / 4 / 5 | 0.34mm ² | PVC BLACK | UL 2464/1729 | C22.2 I/II A/B 80°C/300V | -30°C to +80°C, 10xO.D. | -10°C to +80°C, 15xO.D. | - | - |
| H08 | 3 / 4 / 5 / 8 | 0.25mm ² | PUR BLACK LS0H | UL 21198/10493 | C22.2 I/II A/B 80°C/300V | -40°C to +80°C, 5xO.D. | -25°C to +80°C, 10xO.D. | 2 000 000 cycles at 20°C, Temp. range +5°C to +60°C | - |
| H09 | 3 / 4 / 5 | 0.34mm ² | PUR BLACK LS0H | UL 21198/10493 | C22.2 I/II A/B 80°C/300V | -40°C to +80°C, 5xO.D. | -25°C to +80°C, 10xO.D. | 2 000 000 cycles at 20°C, Temp. range +5°C to +60°C | - |
| P02 | 3 / 4 / 5 / 8 | 0.25mm ² | PUR / PVC BLACK | - | - | -30°C to +80°C, 7xO.D. | -5°C to +80°C, 15xO.D. | - | - |
| P03 | 3 / 4 / 5 | 0.34mm ² | PUR / PVC BLACK | - | - | -30°C to +80°C, 7xO.D. | -5°C to +80°C, 15xO.D. | - | - |

| OVER [mm] | UP TO AND INCLUDING [mm] | TOLERANCES [mm] |
|-----------|--------------------------|------------------------|
| 0 | 305 | +19 |
| 305 | 915 | +45 |
| 915 | 1830 | +56 |
| 1830 | 3660 | +89 |
| 3660 | 7320 | +165 |
| 7320 | 14640 | +317 |
| 14640 | 30500 | +610 |
| 30500 | > | +2% OF FINISHED LENGTH |

THIS DRAWING CONTAINS INFORMATION THAT IS PROPRIETARY TO MOLEX ELECTRONIC TECHNOLOGIES, LLC AND SHOULD NOT BE USED WITHOUT WRITTEN PERMISSION

| | | | |
|--|---------|---|--|
| DIMENSION UNITS | SCALE | CURRENT REV DESC: REMOVED OBSOLETE PART NUMBER AS PER PCN#512871. | |
| mm | 1:1 | | |
| GENERAL TOLERANCES (UNLESS SPECIFIED) | | | |
| ANGULAR TOL | ± 1.0 ° | CSE M12 XP AC FE STR MA STR XM DE | |
| 4 PLACES | ± | PRODUCT CUSTOMER DRAWING | |
| 3 PLACES | ± | DOCUMENT NUMBER | |
| 2 PLACES | ± 0.05 | 1200668084 | |
| 1 PLACE | ± 0.3 | DOC TYPE | |
| 0 PLACES | ± 0.5 | PSD | |
| DRAFT WHERE APPLICABLE MUST REMAIN WITHIN DIMENSIONS | | DOC PART | |
| THIRD ANGLE PROJECTION | | 000 | |
| DRAWING | | REVISION | |
| A3-SIZE | | A15 | |
| SERIES | | SHEET NUMBER | |
| 120066 | | 2 OF 4 | |
| MATERIAL NUMBER | | CUSTOMER | |
| SEE SHEET 3-4 | | GENERAL MARKET | |

PART LIST

| No. | MOLEX PN | Engineering No. | Length |
|-----|------------|-----------------|--------|
| 1 | 1200060049 | 884030E03M050 | 5m |
| 2 | 1200060050 | 884030P03M015 | 1.5m |
| 3 | 1200060051 | 884030P03M030 | 3m |
| 4 | 1200070081 | 883030E03M006 | 0.6m |
| 5 | 1200070083 | 883030E03M010 | 1m |
| 6 | 1200070085 | 883030E03M020 | 2m |
| 7 | 1200070086 | 883030E03M0205 | 2m |
| 8 | 1200070088 | 883030E03M030 | 3m |
| 9 | 1200070091 | 883030E03M050 | 5m |
| 10 | 1200070092 | 883030E03M0505 | 5m |
| 11 | 1200070093 | 883030E03M100 | 10m |
| 12 | 1200070102 | 883030P03M003 | 0.3m |
| 13 | 1200070104 | 883030P03M006 | 0.6m |
| 14 | 1200070105 | 883030P03M100 | 10m |
| 15 | 1200070470 | 884030E03M003 | 0.3m |
| 16 | 1200070472 | 884030E03M006 | 0.6m |
| 17 | 1200070473 | 884030E03M010 | 1m |
| 18 | 1200070474 | 884030E03M020 | 2m |
| 19 | 1200070475 | 884030E03M030 | 3m |
| 20 | 1200070476 | 884030E03M100 | 10m |
| 21 | 1200070486 | 884030P03M003 | 0.3m |
| 22 | 1200070487 | 884030P03M006 | 0.6m |
| 23 | 1200070488 | 884030P03M010 | 1m |
| 24 | 1200070489 | 884030P03M020 | 2m |
| 25 | 1200070490 | 884030P03M050 | 5m |
| 26 | 1200070586 | 885030E03M030 | 3m |
| 27 | 1200070596 | 885030P03M020 | 2m |
| 28 | 1200070906 | 885030E03M010 | 1m |
| 29 | 1200070969 | 885030E03M050 | 5m |
| 30 | 1200070970 | 885030E03M020 | 2m |
| 31 | 1200071006 | 883030E03M020H | 2m |
| 32 | 1200071029 | 884030P03M100 | 10m |
| 33 | 1200071047 | 883030P03M050H | 5m |
| 34 | 1200071049 | 885030P03M050 | 5m |
| 35 | 1200071053 | 883030P03M150 | 15m |


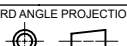
| No. | MOLEX PN | Engineering No. | Length |
|-----|------------|-----------------|--------|
| 36 | 1200071114 | 883030P03M020H | 2m |
| 37 | 1200071122 | 883030P03M030H | 3m |
| 38 | 1200071123 | 883030P03M010H | 1m |
| 39 | 1200071131 | 883030P03M0201 | 2m |
| 40 | 1200071199 | 884030E03M200 | 20m |
| 41 | 1200071273 | 883030P03M100H | 10m |
| 42 | 1200071284 | 885030P03M100 | 10m |
| 43 | 1200071288 | 883030P03M060 | 6m |
| 44 | 1200071408 | 885030P03M030 | 3m |
| 45 | 1200071500 | 885030E03M005 | 0.5m |
| 46 | 1200071583 | 885030E03M080 | 8m |
| 47 | 1200071594 | 884030E03M015 | 1.5m |
| 48 | 1200071596 | 884030E03M060 | 6m |
| 49 | 1200071703 | 884030E03M0205 | 2m |
| 50 | 1200071707 | 884030E03M0505 | 5m |
| 51 | 1200071715 | 884030E03M150 | 15m |
| 52 | 1200071774 | 884030E03M020H | 2m |
| 53 | 1200071793 | 884030E03M1501 | * 15m |
| 54 | 1200071881 | 884030E03M1005 | 10m |
| 55 | 1200071947 | 885030P03M007 | 0.7m |
| 56 | 1200071948 | 885030E03M040 | 4m |
| 57 | 1200072010 | 884030P03M050H | 5m |
| 58 | 1200072081 | 885030E03M035 | 3.5m |
| 59 | 1200072092 | 884030E03M040 | 4m |
| 60 | 1200072104 | 883030P03M040 | 4m |
| 61 | 1200072105 | 884030P03M200 | 20m |
| 62 | 1200072172 | 884030E03M050H | 5m |
| 63 | 1200072544 | 884030E03M120 | 12m |
| 64 | 1200072649 | 884030P03M0105 | 1m |
| 65 | 1200072650 | 884030P03M0505 | 5m |
| 66 | 1200072656 | 885030P03M120 | 12m |
| 67 | 1200072658 | 883030P03M120 | 12m |
| 68 | 1200072697 | 885030E03M060 | 6m |
| 69 | 1200072744 | 884030E03M0501 | * 5m |
| 70 | 1200072762 | 884030P03M0101 | 1m |

| No. | MOLEX PN | Engineering No. | Length |
|-----|------------|-----------------|--------|
| 71 | 1200072763 | 884030P03M0201 | 2m |
| 72 | 1200072764 | 884030P03M0301 | 3m |
| 73 | 1200072803 | 884030P03M040 | 4m |
| 74 | 1200072804 | 884030P03M060 | 6m |
| 75 | 1200073049 | 885030P03M0501 | 5m |
| 76 | 1200073083 | 885030P03M006 | 0.6m |
| 77 | 1200073084 | 885030P03M150 | 15m |
| 78 | 1200660498 | 883030P03M010 | 1m |
| 79 | 1200660500 | 883030P03M020 | 2m |
| 80 | 1200660501 | 883030P03M030 | 3m |
| 81 | 1200660502 | 883030P03M050 | 5m |
| 82 | 1200660579 | 888030P02M010 | 1m |
| 83 | 1200660580 | 888030P02M020 | 2m |
| 84 | 1200660581 | 888030P02M030 | 3m |
| 85 | 1200660582 | 888030P02M040 | 4m |
| 86 | 1200660583 | 888030P02M050 | 5m |
| 87 | 1200660584 | 888030P02M060 | 6m |
| 88 | 1200660585 | 888030P02M100 | 10m |
| 89 | 1200660586 | 888030P02M150 | 15m |
| 90 | 1200661455 | 888030P02M005 | 0.5m |
| 91 | 1200665009 | 884030E03M005 | 0.5m |
| 92 | 1200665031 | 884030P03M100H | 10m |
| 93 | 1200668062 | 884030E03M010H | 1m |
| 94 | 1200668084 | 885030P03M010 | 1m |
| 95 | 1200668086 | 885030P03M0283 | 2.8m |
| 96 | 1200668088 | 885030P03M070 | 7m |
| 97 | 1200668163 | 885030P03M040 | 4m |
| 98 | 1200668174 | 884030H09M030 | 3m |
| 99 | 1200668234 | 884030H09M020 | 2m |
| 100 | 1200668238 | 885030P03M200 | 20m |
| 101 | 1200668244 | 884030H09M050 | 5m |
| 102 | 1200668288 | 888030E02M025 | 2.5m |
| 103 | 1200668327 | 888030P02M200 | 20m |
| 104 | 1200668338 | 885030E03M006 | 0.6m |
| 105 | 1200668347 | 885030E03M100 | 10m |

| No. | MOLEX PN | Engineering No. | Length |
|-----|------------|-----------------|--------|
| 106 | 1200668352 | 888030P02M250 | 25m |
| 107 | 1200668370 | 883030E03M040 | 4m |
| 108 | 1200668373 | 883030H09M006 | 0.6m |
| 109 | 1200668374 | 883030H09M010 | 1m |
| 110 | 1200668375 | 883030H09M030 | 3m |
| 111 | 1200668376 | 883030H09M040 | 4m |
| 112 | 1200668377 | 883030H09M100 | 10m |
| 113 | 1200668378 | 884030H09M006 | 0.6m |
| 114 | 1200668379 | 884030H09M010 | 1m |
| 115 | 1200668380 | 884030H09M040 | 4m |
| 116 | 1200668381 | 884030H09M100 | 10m |
| 117 | 1200668399 | 888030E02M003 | 0.3m |
| 118 | 1200668486 | 884030H09M023 | 2.3m |
| 119 | 1200668487 | 885030E03M200 | 20m |
| 120 | 1200668491 | 888030H08M010 | 1m |
| 121 | 1200668497 | 885030H09M010 | 1m |
| 122 | 1200668500 | 885030H09M020 | 2m |
| 123 | 1200668501 | 885030H09M050 | 5m |
| 124 | 1200668502 | 885030H09M092 | 9.2m |
| 125 | 1200668509 | 885030H09M006 | 0.6m |
| 126 | 1200668510 | 885030H09M030 | 3m |
| 127 | 1200668511 | 885030H09M100 | 10m |
| 128 | 1200668521 | 885030E03M250 | 25m |
| 129 | 1200668528 | 885030E03M020H | 2m |
| 130 | 1200668530 | 885030E03M010H | 1m |
| 131 | 1200668544 | 888030P02M500 | 50m |
| 132 | 1200668548 | 884030H09M006H | 0.6m |
| 133 | 1200668549 | 884030H09M010H | 1m |
| 134 | 1200668550 | 884030H09M050H | 5m |
| 135 | 1200668602 | 885030P03M020G | 2m |
| 136 | 1200668609 | 885030E02M050 | 5m |
| 137 | 1200668646 | 883030P03M030HY | 3m |
| 138 | 1200668652 | 885030E03M070 | 7m |
| 139 | 1200668656 | 885030E02M100 | 10m |
| 140 | 1200668657 | 885030E02M020 | 2m |

NOTES:

* - Part No. with Yellow PVC overmolding

| | | | | | | | | | |
|---|---------|---|---------|----------|-----------------|----------------|------------------------|--|--|
| THIS DRAWING CONTAINS INFORMATION THAT IS PROPRIETARY TO MOLEX ELECTRONIC TECHNOLOGIES, LLC AND SHOULD NOT BE USED WITHOUT WRITTEN PERMISSION | | | | | | | | | |
| DIMENSION UNITS | SCALE | CURRENT REV DESC: REMOVED OBSOLETE PART NUMBER AS PER PCN#512871. | | | | | | | |
| mm | 1:1 |  CSE M12 XP AC FE STR MA STR XM DE | | | | | | | |
| GENERAL TOLERANCES (UNLESS SPECIFIED) | | | | | | | | | |
| ANGULAR TOL | ± 1.0 ° | EC NO: 732259 DRWN: SANTHN 2022/12/20 CHK'D: GGA 2022/12/21 APPR: GGA 2022/12/21 INITIAL REVISION: DRWN: JMARSZALEK 2016/09/16 APPR: RSILLER 2016/12/08 | | | | | | | |
| 4 PLACES | ± | | | | | | | | |
| 3 PLACES | ± | | | | | | | | |
| 2 PLACES | ± 0.05 | | | | | | | | |
| 1 PLACE | ± 0.3 | DOCUMENT NUMBER | | DOC TYPE | DOC PART | REVISION | 1200668084 PSD 000 A15 | | |
| 0 PLACES | ± 0.5 | 1200668084 | | PSD | 000 | A15 | | | |
| DRAFT WHERE APPLICABLE MUST REMAIN WITHIN DIMENSIONS | | THIRD ANGLE PROJECTION | DRAWING | SERIES | MATERIAL NUMBER | CUSTOMER | SHEET NUMBER | | |
| | |  | A3-SIZE | 120066 | SEE PART LIST | GENERAL MARKET | 3 OF 4 | | |

| | | | | |
|-----------------|----|--------------|------------|----------|
| DOCUMENT STATUS | P1 | RELEASE DATE | 2022/12/21 | 07:37:48 |
|-----------------|----|--------------|------------|----------|

PART LIST

| No. | MOLEX PN | Engineering No. | Length |
|-----|------------|-----------------|--------|
| 141 | 1200668661 | 884030E02M0031 | *0.3m |
| 142 | 1200668662 | 883030E02M006 | 0.6m |
| 143 | 1200668664 | 885030E02M010 | 1m |
| 144 | 1200668672 | 884030E03M0051 | *0.5m |
| 145 | 1200668674 | 885030E03M150 | 15m |
| 146 | 1200668683 | 885030H09M150 | 15m |
| 147 | 1200668684 | 885030H09M200 | 20m |
| 148 | 1200668687 | 884030P03M005 | 0.5m |
| 149 | 1200668689 | 884030H08M030 | 3m |
| 150 | 1200668690 | 883030P03M020YH | 2m |
| 151 | 1200668691 | 883030P03M010YH | 1m |
| 152 | 1200668712 | 883030P03M100HY | 10m |
| 153 | 1200668713 | 883030P03M050HY | 5m |
| 154 | 1200668714 | 884030H09M0209 | 2m |
| 155 | 1200668715 | 884030H09M003 | 0.3m |
| 156 | 1200668718 | 884030E03M250 | 25m |
| 157 | 1200668719 | 884030E03M300 | 30m |
| 158 | 1200668720 | 884030P03M150 | 15m |
| 159 | 1200668721 | 884030P03M250 | 25m |
| 160 | 1200668722 | 884030P03M300 | 30m |
| 161 | 1200668723 | 884030P03M350 | 35m |
| 162 | 1200668724 | 884030P03M400 | 40m |
| 163 | 1200668737 | 884030H09M055 | 5.5m |
| 164 | 1200668754 | 884030P03M020H | 2m |
| 165 | 1200668765 | 885030P03M015 | 1.5m |
| 166 | 1200668770 | 884030E03M350 | 35m |
| 167 | 1200668771 | 884030E03M400 | 40m |
| 168 | 1200668774 | 888030H08M100 | 10m |
| 169 | 1200668775 | 885030P03M300 | 30m |
| 170 | 1200668777 | 888030E02M020 | 2m |
| 171 | 1200668778 | 888030E02M030 | 3m |
| 172 | 1200668779 | 888030E02M050 | 5m |
| 173 | 1200668780 | 888030E02M100 | 10m |
| 174 | 1200668784 | 885030E03M300 | 30m |
| 175 | 1200668785 | 885030E03M350 | 35m |


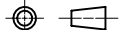
| No. | MOLEX PN | Engineering No. | Length |
|-----|------------|-----------------|--------|
| 176 | 1200668786 | 884030E03M070 | 7m |
| 177 | 1200668794 | 885030P03M006H | 0.6m |
| 178 | 1200668795 | 885030P03M010H | 1m |
| 179 | 1200668796 | 885030P03M030H | 3m |
| 180 | 1200668797 | 885030P03M050H | 5m |
| 181 | 1200668798 | 885030P03M100H | 10m |
| 182 | 1200668800 | 885030P03M200H | 20m |
| 183 | 1200668801 | 885030P03M300H | 30m |
| 184 | 1200668802 | 885030P03M350H | 35m |
| 185 | 1200668803 | 888030P02M010H | 1m |
| 186 | 1200668804 | 888030P02M020H | 2m |
| 187 | 1200668806 | 888030P02M050H | 5m |
| 188 | 1200668807 | 888030P02M100H | 10m |
| 189 | 1200668808 | 888030P02M150H | 15m |
| 190 | 1200668809 | 888030P02M200H | 20m |
| 191 | 1200668810 | 888030P02M350H | 35m |
| 192 | 1200668815 | 884030P03M0805 | 8m |
| 193 | 1200668853 | 885030H09M040 | 4m |
| 194 | 1200668854 | 885030H09M060 | 6m |
| 195 | 1200668903 | 885030P03C130 | 0.13m |
| 196 | 1200668972 | 885030E03M003 | 0.3m |
| 197 | 1200668973 | 885030E03M025 | 2.5m |
| 198 | 1200668980 | 885030E03M080H | 8m |
| 199 | 1200668981 | 885030E03M040H | 4m |
| 200 | 1200668982 | 885030E03M060H | 6m |
| 201 | 1200668985 | 885030E03M030H | 3m |
| 202 | 1200669111 | 885030P03M150H | 15m |
| 203 | 1200669117 | 888030H08M040 | 4m |
| 204 | 1200669133 | 888030P02M3008 | 30m |
| 205 | 1200669134 | 883030H09M015 | 1.5m |
| 206 | 1200669135 | 883030H09M200 | 20m |
| 207 | 1200669153 | 883030E03M0101 | 1m |
| 208 | 1200669161 | 888030H08M150 | 15m |
| 209 | 1200669212 | 888030H08M050 | 5m |
| 210 | 1200669310 | 888030H08M005 | 0.5m |

| No. | MOLEX PN | Engineering No. | Length |
|-----|------------|-----------------|--------|
| 211 | 1200669311 | 888030H08M008 | 0.8m |
| 212 | 1200669312 | 888030H08M012 | 1.2m |
| 213 | 1200669313 | 888030H08M015 | 1.5m |
| 214 | 1200669314 | 888030H08C250 | 0.25m |
| 215 | 1200669353 | 888030P02M130 | 13m |
| 216 | 1200669423 | 884030E03M025 | 2.5m |
| 217 | 1200669424 | 884030E03M035 | 3.5m |
| 218 | 1200669437 | 888030H08M200 | 20m |
| 219 | 1200669477 | 888030E02M300 | 30m |
| 220 | 1200669478 | 888030E02M400 | 40m |
| 221 | 1200669479 | 888030E02M500 | 50m |
| 222 | 1200669499 | 883030E03M080 | 8m |
| 223 | 1200669500 | 883030E03M120 | 12m |
| 224 | 1200669501 | 883030E03M140 | 14m |
| 225 | 1200669502 | 883030E03M160 | 16m |
| 226 | 1200669503 | 883030E03M180 | 18m |
| 227 | 1200669508 | 884030E03M080 | 8m |
| 228 | 1200669509 | 884030E03M140 | 14m |
| 229 | 1200669510 | 884030E03M160 | 16m |
| 230 | 1200669511 | 883030E03M060 | 6m |
| 231 | 1200669561 | 883030E02M050 | 5m |
| 232 | 1200669350 | 883030H09M030H | 3m |
| 233 | 1200669609 | 883030E02M0201 | 2m |
| 234 | 1200669717 | 884030P03M080 | 8m |
| 235 | 1200669522 | 883030E03M200 | 20m |
| 236 | 1200669523 | 883030E03M250 | 25m |
| 237 | 1200669752 | 884030H09M015H | 1.5m |
| 238 | 1200669759 | 884030H09M020H | 2.0m |
| 239 | 1200669753 | 884030H09M025H | 2.5m |
| 240 | 1200669758 | 884030H09M030H | 3.0m |
| 241 | | | |
| 242 | | | |
| 243 | | | |
| 244 | | | |
| 245 | | | |

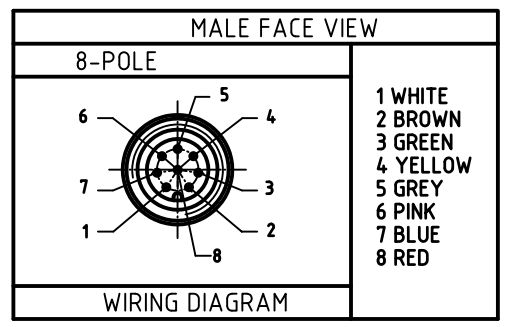
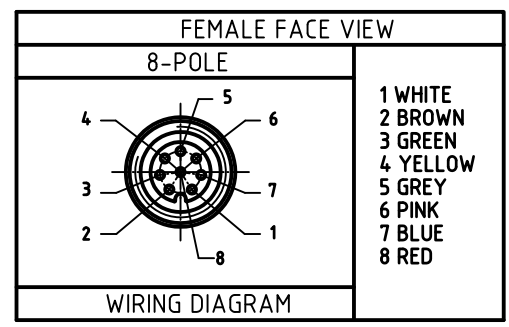
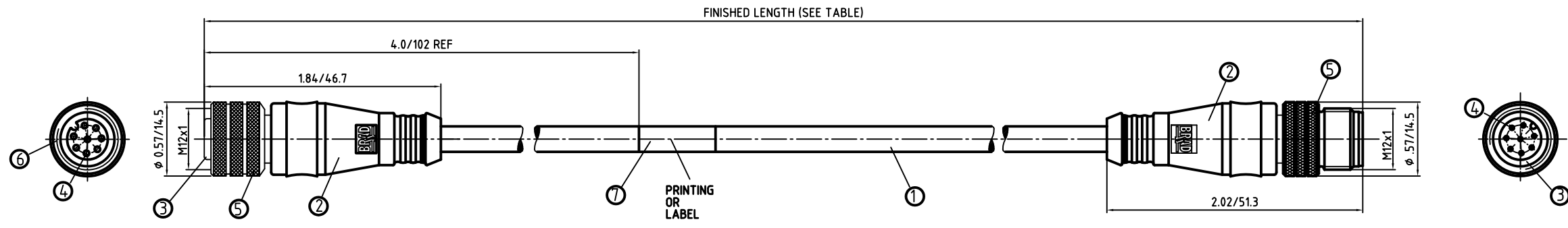
| No. | MOLEX PN | Engineering No. | Length |
|-----|------------|-----------------|--------|
| 246 | 1200669756 | 885030H09M015H | 1.5m |
| 247 | 1200669762 | 885030H09M020H | 2.0m |
| 248 | 1200669757 | 885030H09M025H | 2.5m |
| 249 | 1200669763 | 885030H09M030H | 3.0m |
| 250 | 1200669878 | 884030E03M002H | 0.2m |
| 251 | 1200669879 | 884030E03M004H | 0.4m |
| 252 | 1200669880 | 884030E03M009H | 0.9m |
| 253 | 1200669881 | 884030E03M013H | 1.3m |
| 254 | 1200669882 | 884030E03M016H | 1.6m |
| 255 | 1200669883 | 884030E03M180H | 18m |
| 256 | 1200669884 | 884030E03M800H | 80m |
| 257 | 1200669905 | 885030E03M085H | 8.5m |
| 258 | 1200669906 | 885030E03M090H | 9m |
| 259 | 1200669907 | 885030E03M110H | 11m |
| 260 | 1200669926 | 884030H09M065H | 6.5m |
| 261 | 1200669927 | 884030H09M070H | 7.0m |
| 262 | 1200669931 | 884030H09M075H | 7.5m |
| 263 | 1200669932 | 884030H09M080H | 8.0m |
| 264 | | | |
| 265 | | | |
| 266 | | | |
| 267 | | | |
| 268 | | | |
| 269 | | | |
| 270 | | | |
| 271 | | | |
| 272 | | | |
| 273 | | | |
| 274 | | | |
| 275 | | | |
| 276 | | | |
| 277 | | | |
| 278 | | | |
| 279 | | | |
| 280 | | | |

NOTES:

* - Part No. with Yellow PVC overmolding

| | | | | | | | | | |
|---|---------|--|---------|----------|-----------------|----------------|------------------------|--|--|
| THIS DRAWING CONTAINS INFORMATION THAT IS PROPRIETARY TO MOLEX ELECTRONIC TECHNOLOGIES, LLC AND SHOULD NOT BE USED WITHOUT WRITTEN PERMISSION | | | | | | | | | |
| DIMENSION UNITS | SCALE | CURRENT REV DESC: REMOVED OBSOLETE PART NUMBER AS PER PCN#512871. | | | | | | | |
| mm | 1:1 |  CSE M12 XP AC FE STR MA STR XM DE | | | | | | | |
| GENERAL TOLERANCES (UNLESS SPECIFIED) | | | | | | | | | |
| ANGULAR TOL | ± 1.0 ° | EC NO: 732259 DRWN: SANTHN 2022/12/20 CHK'D: GGA 2022/12/21 APPR: GGA 2022/12/21 | | | | | | | |
| 4 PLACES | ± | | | | | | | | |
| 3 PLACES | ± | INITIAL REVISION: DRWN: JMARSZALEK 2016/09/16 APPR: RSILLER 2016/12/08 | | | | | | | |
| 2 PLACES | ± 0.05 | | | | | | | | |
| 1 PLACE | ± 0.3 | DOCUMENT NUMBER | | DOC TYPE | DOC PART | REVISION | 1200668084 PSD 000 A15 | | |
| 0 PLACES | ± 0.5 | 1200668084 | | PSD | 000 | A15 | | | |
| DRAFT WHERE APPLICABLE MUST REMAIN WITHIN DIMENSIONS | | THIRD ANGLE PROJECTION | DRAWING | SERIES | MATERIAL NUMBER | CUSTOMER | SHEET NUMBER | | |
| | |  | A3-SIZE | 120066 | SEE PART LIST | GENERAL MARKET | 4 OF 4 | | |

| | | | | |
|-----------------|----|--------------|------------|----------|
| DOCUMENT STATUS | P1 | RELEASE DATE | 2022/12/21 | 07:37:48 |
|-----------------|----|--------------|------------|----------|



| POL | MATERIAL NUMBER | ENGINEERING NUMBER | FINISHED LENGTH |
|-----|-----------------|--------------------|---------------------------------|
| 8 | 1200660579 | 888030P02M010 | 1.0M +55.6 -0 [3.27' +2.19" -0] |

CONNECTOR SPECIFICATION:

| | |
|-----------------------|----------------|
| VOLTAGE RATING | 30 VAC/36 VDC |
| AMPERAGE RATING | 2 AMPS |
| PROTECTION CLASS | IP68 |
| OPERATING TEMPERATURE | -30°C TO 80°C |
| UL CERTIFICATIONS | NOT APPLICABLE |
| CSA CERTIFICATIONS | NOT APPLICABLE |

| ITEM | COMPONENT | MATERIAL | FINISH |
|------|---|-------------------------------------|---------------|
| 7 | LABLE | MYLAR | BLACK/YELLOW |
| 6 | O-RING | VITON | RED |
| 5 | COUPLER | BRASS | TEFLON/NICKEL |
| 4 | SOCKET/PIN CONTACT | BRASS GOLD | CuZn Ni/Au |
| 3 | INSERT | PUR | BLACK |
| 2 | OVERMOLD | POLYURETHANE (PUR) | BLACK |
| 1 | CABLE- 0.25 ² /24 AWG (COPPER STRANDING) 8 CONDUCT. 300V | JACKET: PUR/PVC INSUL.: POLYPROP | JACKET: BLACK |

| | | | | | | |
|--|--|--|--|---|---|--|
| DESCRIPTION EC NO.: WEU2010-0325 DRWN: LSTEMMLE 2010/02/03 CHK'D: NS APPR: FPACHER 2010/02/04 REV 1 | QUALITY SYMBOLS ▽ = 0 ▽/C = 0 | GENERAL TOLERANCES (UNLESS SPECIFIED) mm INCH 4 PLACES ±--- ±--- 3 PLACES ±--- ±--- 2 PLACES ±--- ±.01 1 PLACE ±0.3 ±--- ANGULAR ± --- ° | DIMENSION STYLE IN/MM DRAWN BY DATE LSTEMMLE 2010/02/03 CHECKED BY DATE RE 2010/02/04 APPROVED BY DATE FPACHER 2010/02/04 | SCALE 1:1 DESIGN UNITS METRIC THIRD ANGLE PROJECTION | MICRO-CHANGE CORDSET 8 POL. FE STR/ MA STR 24/8 BLACK PUR/PVC CABLE | MOLEX INCORPORATED DOCUMENT NO. SD-120066-033 SHEET NO. 1 OF 1 |
| | DRAFT WHERE APPLICABLE MUST REMAIN WITHIN DIMENSIONS | | SEE TABLE | THIS DRAWING CONTAINS INFORMATION THAT IS PROPRIETARY TO MOLEX INCORPORATED AND SHOULD NOT BE USED WITHOUT WRITTEN PERMISSION | | |
| | SIZE A3 | | | | | |
| | | | | | | |