

**PLEASE CHECK WWW.MOLEX.COM FOR LATEST PART INFORMATION**

**Part Number:** [0622018698](#)  
**Status:** **Active**  
**Overview:** [Application Tooling](#)  
**Description:** Press-In Tool for 6-Pair by 14-Column Backplane

**Documents:**  
[RoHS Certificate of Compliance \(PDF\)](#)

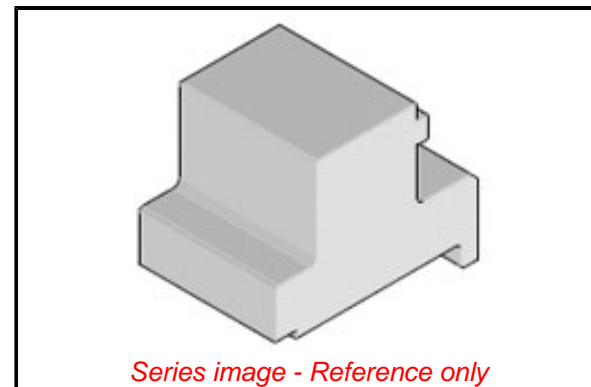
**General**

Product Family	Application Tooling
Series	<a href="#">207123</a>
Comments	See Tooling Specification (PDF) Above, See Tooling Specification (PDF) Above
Function	Insertion
Geographic Area	Global
Level of Automation	Manual
More Detailed Tech Information	<a href="mailto:applicationtooling@molex.com">applicationtooling@molex.com</a>
Overview	<a href="#">Application Tooling</a>
Product Name	Impact
Tool Type	Press-Fit Insertion Tool
UPC	883906554736
Warranty Disclaimer	CAUTION: Molex tooling crimp specifications are valid only when used with Molex terminals and tooling manufactured by Molex and sold by Molex or authorized distributors ("Molex Tooling"). When using tooling other than Molex Tooling with Molex specific connector systems listed in our ATS documents, the Molex tooling qualification does not apply and the responsibility for full qualification of the connector system is that of the customer. Molex accepts no liability for connector performance or tooling support where tooling other than Molex Tooling is used or where Molex Tooling is modified.

**Material Info**

**Reference - Drawing Numbers**  
Application Tooling Documents

ATS-622018698, TM-622018799



**EU ELV**

**Not Relevant**

**EU RoHS**

**Not Reviewed**

**REACH SVHC**

Not Reviewed

**Halogen-Free**

**Status**

**Not Relevant**

For more information, please visit [Contact US](#)

China ROHS

**China RoHS**

Not Relevant

ELV

Not Relevant

RoHS Phthalates

Not Reviewed

**Search Parts in this Series**

[207123 Series](#)

**Use With**

Impact 6 Pair Right Angle Daughtercard  
[76150](#)

**PLEASE CHECK WWW.MOLEX.COM FOR LATEST PART INFORMATION**