

MATERIAL NUMBER			CKT SIZE	DESCRIPTION	POL	COLOR
TRAY PACKAGING PK-31300-892	TUBE PACKAGING PK-31301-063	CELL TRAY PACKAGING 346909100				
346900200	346909200		20	STAC64 VERTICAL HEADER ASSEMBLY	A	BLACK
346900201	346909201		20	STAC64 VERTICAL HEADER ASSEMBLY	B	GREY
346900202	346909202		20	STAC64 VERTICAL HEADER ASSEMBLY	C	BROWN
346900203	346909203		20	STAC64 VERTICAL HEADER ASSEMBLY	D	GREEN
346900160	346909160	346908160	16	STAC64 VERTICAL HEADER ASSEMBLY	A	BLACK
346900161	346909161		16	STAC64 VERTICAL HEADER ASSEMBLY	B	GREY
346900162	346909162		16	STAC64 VERTICAL HEADER ASSEMBLY	C	BROWN
346900120	346909120		12	STAC64 VERTICAL HEADER ASSEMBLY	A	BLACK
346900121	346909121		12	STAC64 VERTICAL HEADER ASSEMBLY	B	GREY
346900122	346909122		12	STAC64 VERTICAL HEADER ASSEMBLY	C	BROWN
346900080	346909080		8	STAC64 VERTICAL HEADER ASSEMBLY	A	BLACK
346900081	346909081		8	STAC64 VERTICAL HEADER ASSEMBLY	B	GREY
346900082	346909082		8	STAC64 VERTICAL HEADER ASSEMBLY	C	BROWN
346903084	N/A		8	STAC64 DELETE CAP	A	BLACK

NOTES: VALID UNLESS OTHERWISE SPECIFIED

1. GENERAL:

a. CONNECTOR HEADER MUST BE VALIDATED TO THE FOLLOWING FUNCTIONAL REQUIREMENTS:
 POLARIZATION FEATURE EFFECTIVENESS = SEE PRODUCT SPECIFICATION
 PIN RETENTION = USCAR-2 REV 4
 SOLDERABILITY = SMES-152

b. APPLICATION REQUIREMENTS (REFERENCE ONLY) FOR:
 SEE APPLICATION SPECIFICATION = AS-34729-020/AS-31408-100
 SEE PRODUCT SPECIFICATION = PS-34729-020/PS-31408-100

c. PACKAGING SPECIFICATION: SEE CHART

2. DESIGN: MATERIALS:

a. SHROUD (PLASTIC HOUSING):
 RESIN - SPS 30%GF - 20% REGRIND MAX. BY WEIGHT

b. 0.64MM PINS:
 BASE MATERIAL: C26000
 PLATING TYPE: AS NOTED

3. PLATING REQUIREMENTS:

a. UNDERPLATING - OVERALL NICKEL
 b. OVERPLATING - OVERALL TIN

4. INTERFACE: USCAR
 064-U-008-2-Z02
 064-U-012-2-Z03
 064-U-016-2-Z03
 064-U-020-2-Z02
 SOME CHAMFERS HAVE BEEN MODIFIED TO IMPROVE POLARIZATION EFFECTIVENESS. SEE AS-34729-002/AS-31408-100.

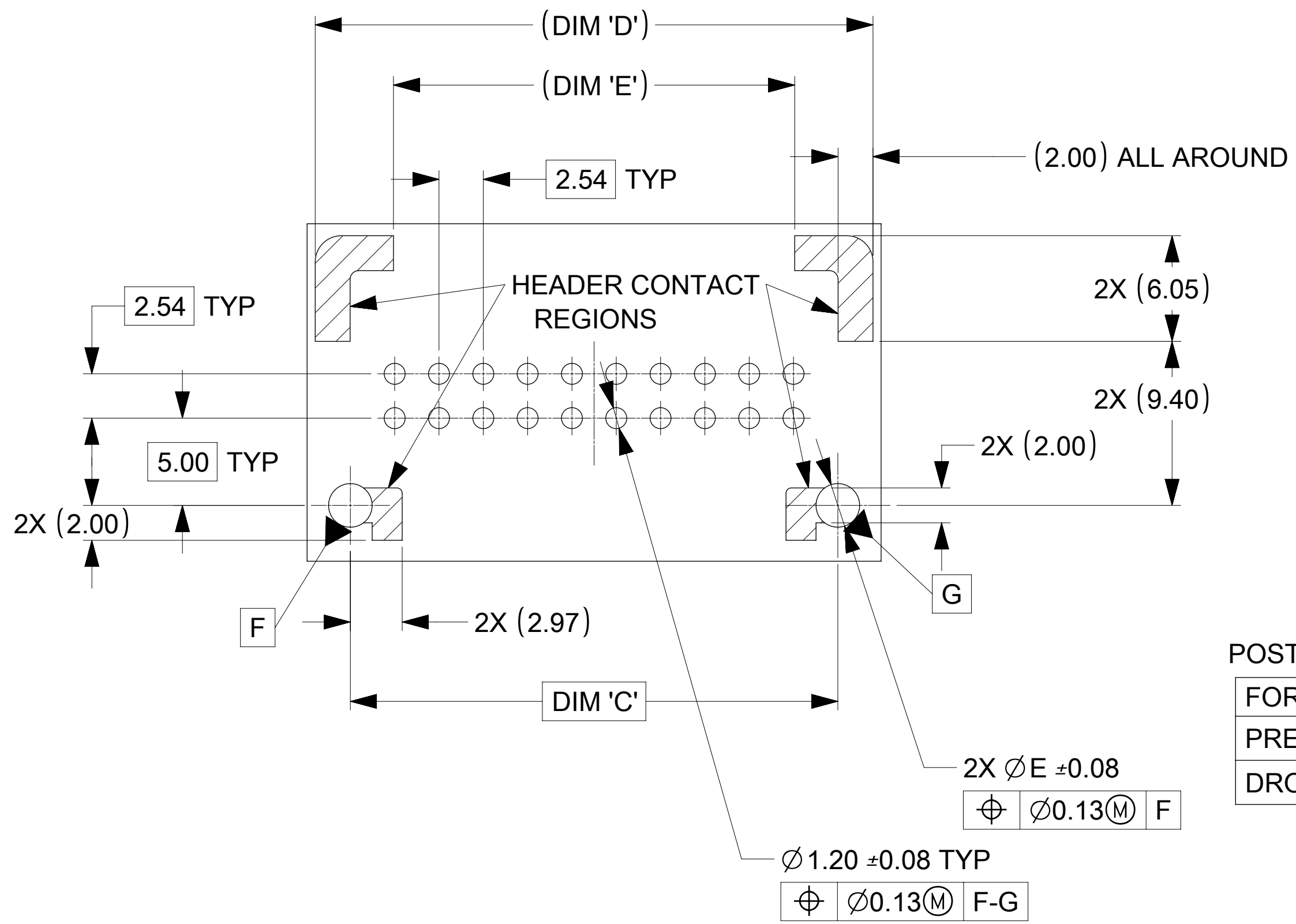
A4	CORRECTED DRAWING TYPE FROM RESTRICTED CUSTOMER TO GENERAL MARKET	637858	2020.05	YPENG47
REV.	REV DESCRIPTION	EC#	DATE	NAME

INSPECTION BALLOON NUMBER LOG	
PER DRAWING REVISION: A4	
LAST BALLOON NUMBER: 10	
ADDED BALLOON NUMBER: NONE	
DELETED BALLOON NUMBER: NONE	

FUNCTIONAL SYMBOLS FA = 0 FC = 0 FD = 0	THIS DRAWING CONTAINS INFORMATION THAT IS PROPRIETARY TO MOLEX ELECTRONIC TECHNOLOGIES, LLC AND SHOULD NOT BE USED WITHOUT WRITTEN PERMISSION	SCALE 2:1	CURRENT REV DESC: SEE REVISION SHEET	
	DIMENSION UNITS mm	GENERAL TOLERANCES (UNLESS SPECIFIED)	EC NO: 637858	
DIVISIONAL SYMBOLS	ANGULAR TOL ± 3.0°	4 PLACES ±	DRWN: YPENG47	2020/05/19
	4 PLACES ±	3 PLACES ±	CHK'D: CDZHANG	2020/10/22
	2 PLACES ± 0.13	2 PLACES ±	APPR: CDZHANG	2020/10/22
	1 PLACE ± 0.25	1 PLACE ±	INITIAL REVISION:	
	0 PLACES ±	0 PLACES ±	DRWN: AKUMARMS	2015/12/01
			APPR: RBAUMAN	2016/08/23
	DRAFT WHERE APPLICABLE MUST REMAIN WITHIN DIMENSIONS	THIRD ANGLE PROJECTION	DRAWING	SERIES
			D-SIZE	34690
		MATERIAL NUMBER	CUSTOMER	SHEET NUMBER
		346900000	SEE CHART	1 OF 2

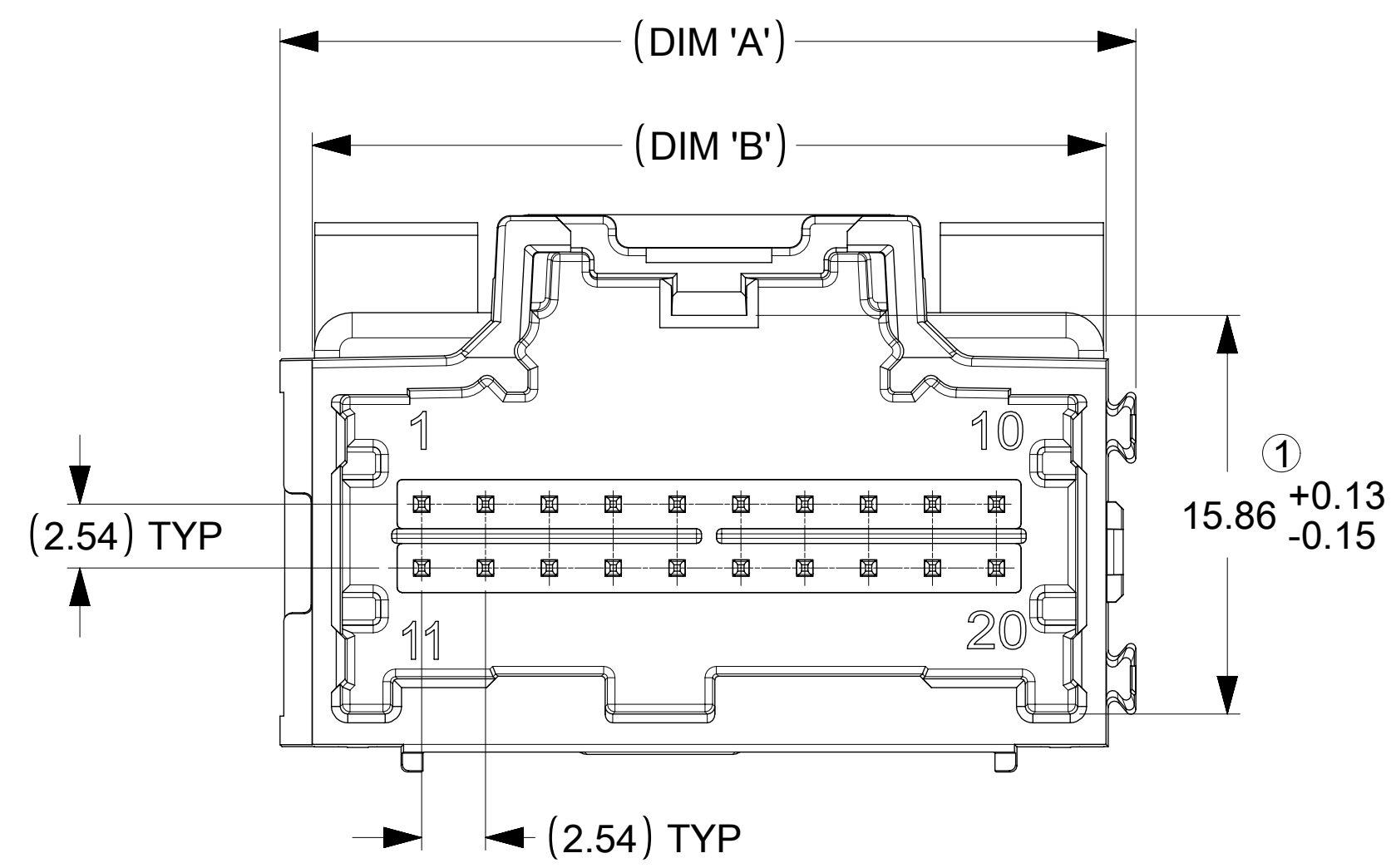
CKT SIZE	DIM 'A'	DIM 'B'	DIM 'C'	DIM 'D'	DIM 'E'
20	34.04	31.57	27.94	31.97	23.00
16	28.96	26.49	22.86	26.89	17.92
12	23.88	21.41	17.78	21.81	12.84
8	18.80	16.53	12.70	16.73	7.76

RECOMMENDED PCB LAYOUT

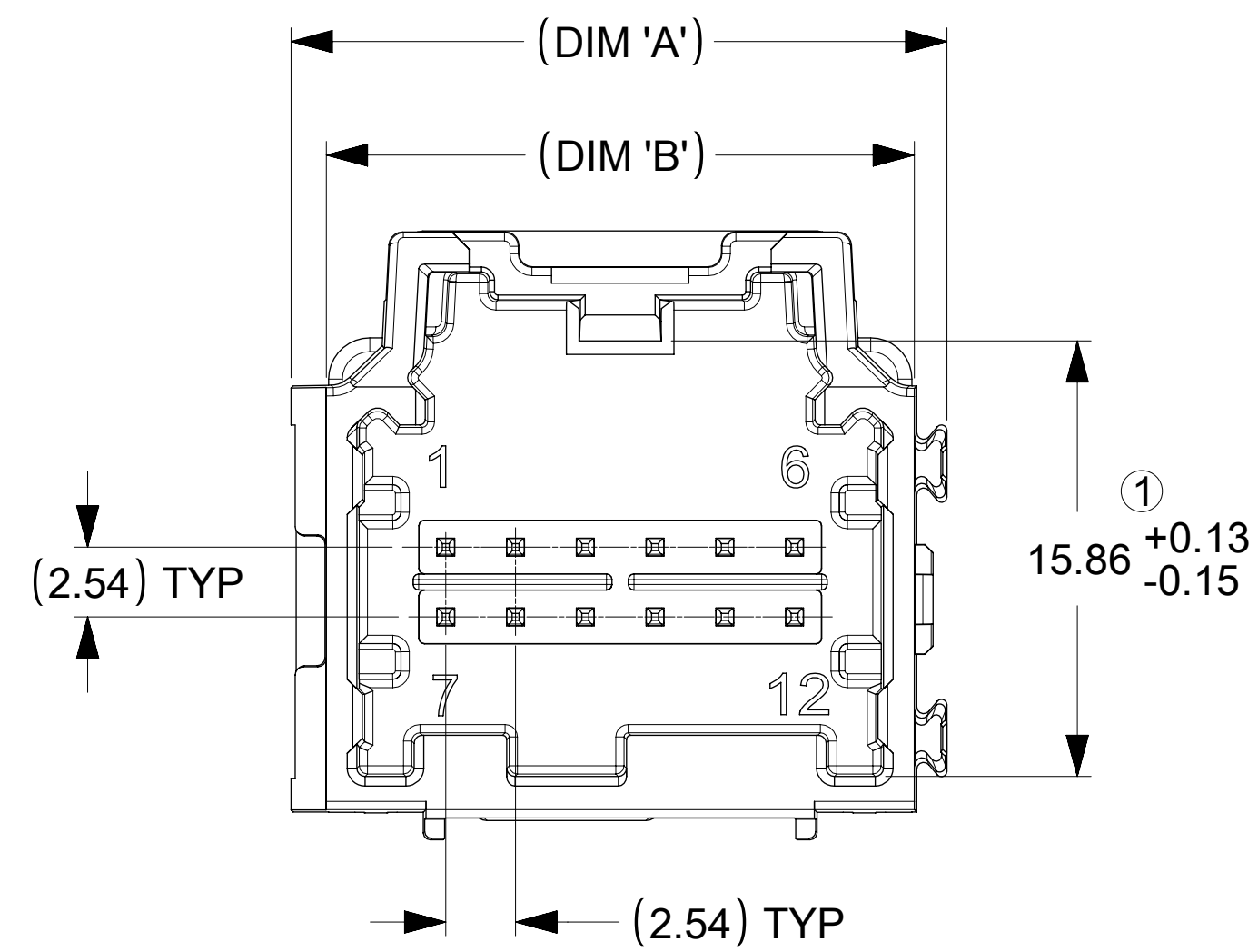


POST HOLE TABLE

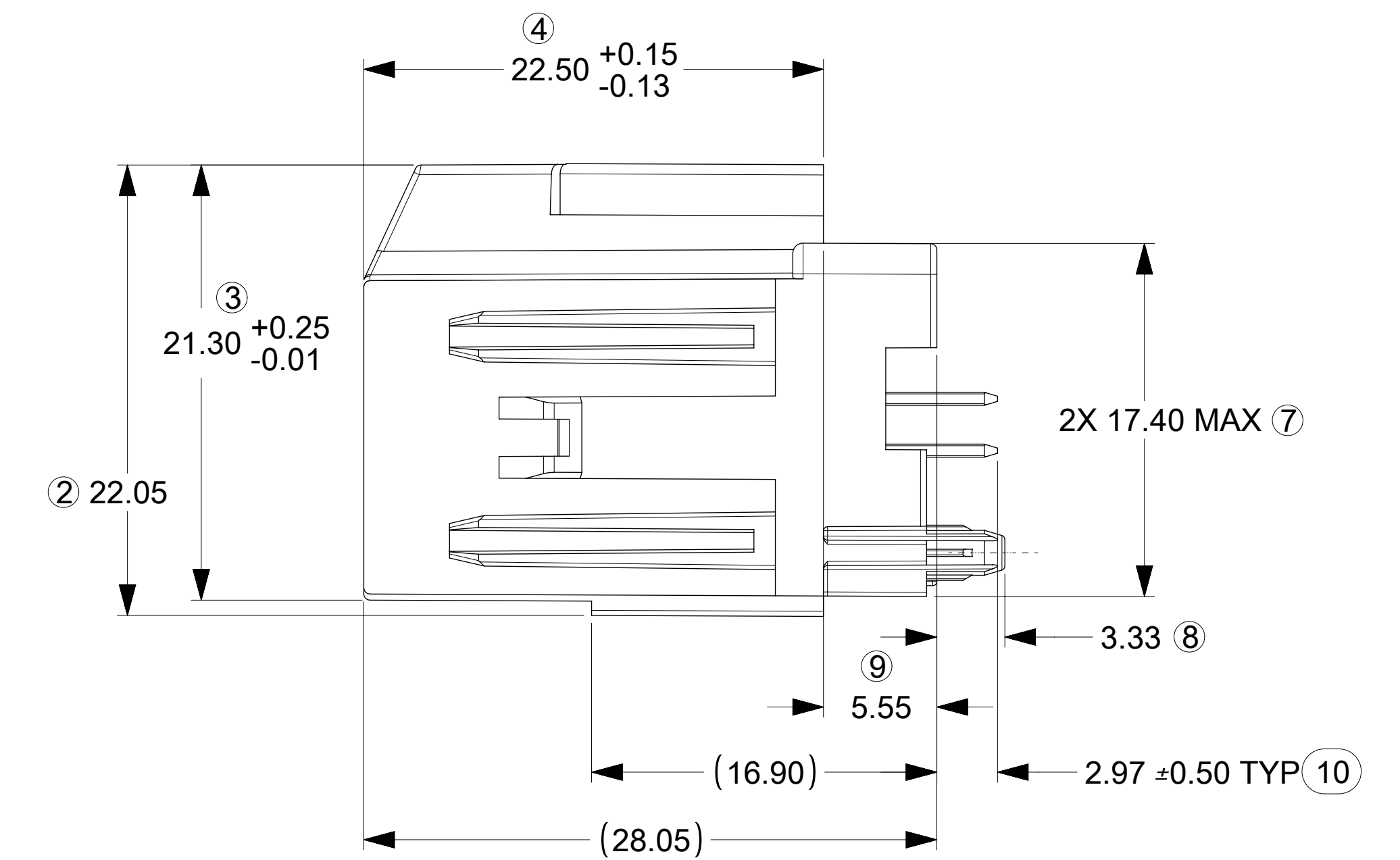
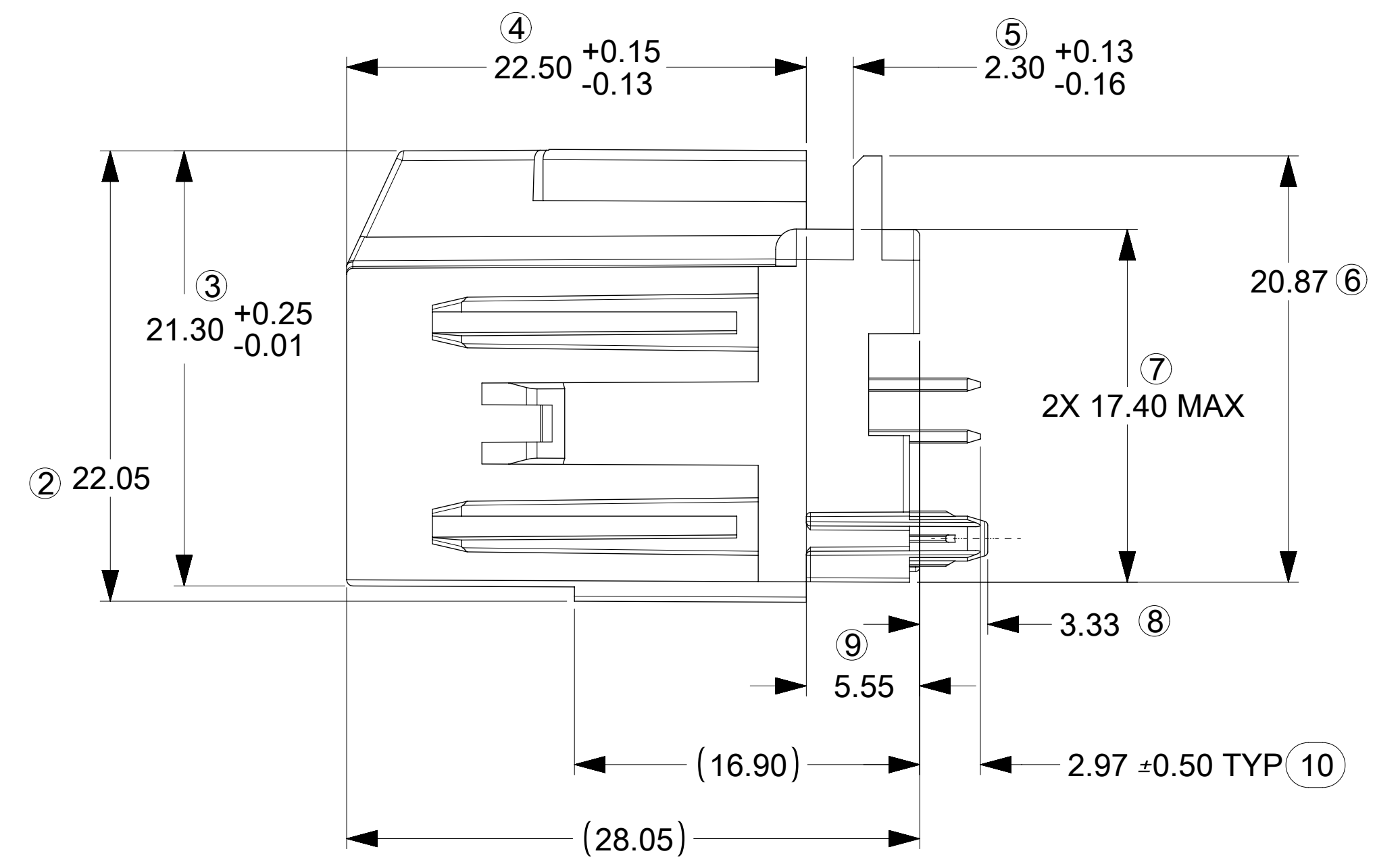
FOR DIM E:	
PRESS FIT	Ø2.60
DROP IN	Ø3.05



LAYOUT FOR 16 & 20 CKT. HEADERS
(20 CKT. OPTION 'A' SHOWN)



LAYOUT FOR 8 & 12 CKT. HEADERS
(12 CKT. OPTION 'A' SHOWN)



FUNCTIONAL SYMBOLS		THIS DRAWING CONTAINS INFORMATION THAT IS PROPRIETARY TO MOLEX ELECTRONIC TECHNOLOGIES, LLC AND SHOULD NOT BE USED WITHOUT WRITTEN PERMISSION		CURRENT REV DESC: SEE REVISION SHEET	
FA = 0	mm	SCALE	4:1		
FC = 0	GENERAL TOLERANCES (UNLESS SPECIFIED)				
FD = 0	ANGULAR TOL ± 3.0°				
DIVISIONAL SYMBOLS		4 PLACES	±		
		3 PLACES	±		
		2 PLACES	± 0.13		
		1 PLACE	± 0.25		
		0 PLACES	±		
DRAFT WHERE APPLICABLE MUST REMAIN WITHIN DIMENSIONS		THIRD ANGLE PROJECTION	DRAWING	SERIES	
			D-SIZE	34690	
		MATERIAL NUMBER		CUSTOMER	SHEET NUMBER
		SEE CHART			2 OF 2

molex

STAC64 SINGLE BAY
VERTICAL ASSEMBLY SALES DRAWING

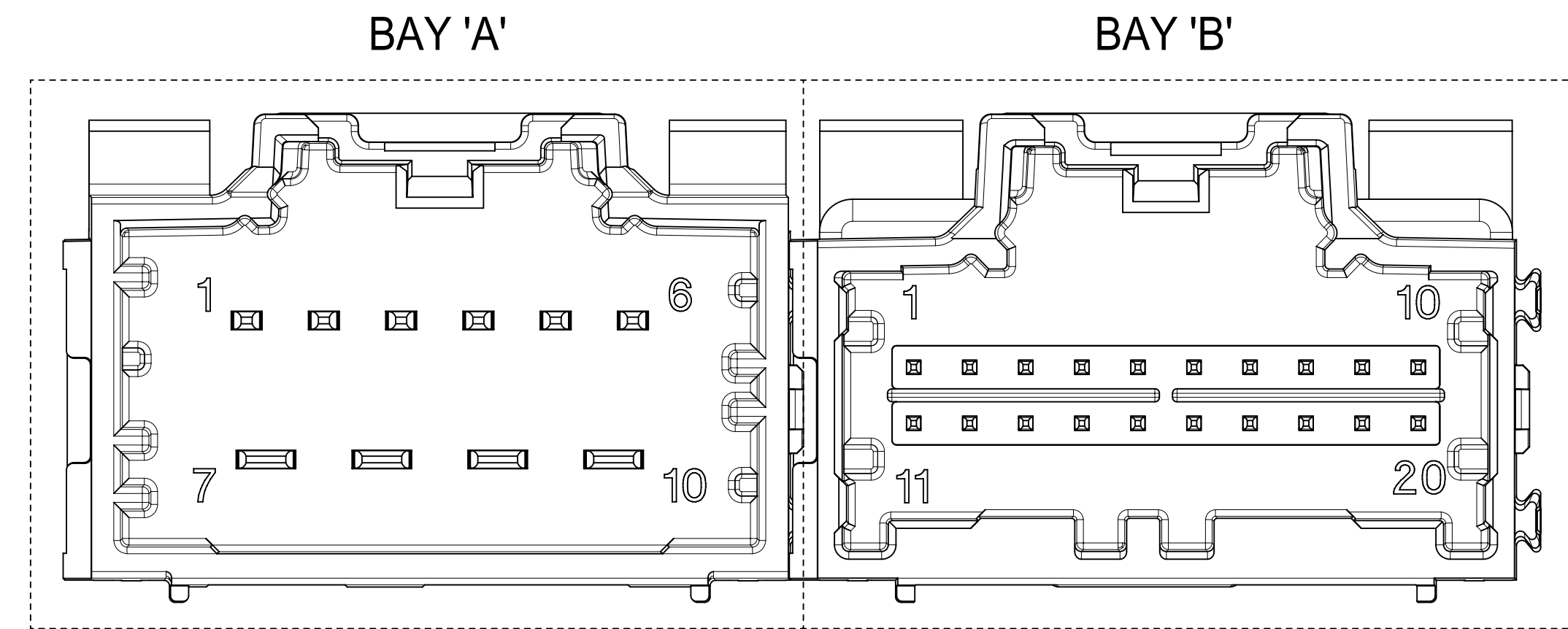
PRODUCT CUSTOMER DRAWING

DOCUMENT NUMBER	DOC TYPE	DOC PART	REVISION
346900000	PSD	000	A4

2 BAY STAC64 VERTICAL HEADER ASSEMBLY (P/N: 34707-2012 SHOWN)

DIMENSIONAL CHART FOR MULTIBAY CONFIGURATION:

PART NUMBER (TUBE PKG)	PART NUMBER (TRAY PKG)	BAY A			BAY B			DIM 'A'	DIM 'B'	DIM 'C'	DIM 'D'
		CKT	TYPE	POL	CKT	TYPE	POL				
34707-7000	34707-2000	20	0.64mm	A	20	0.64mm	B	66.94	64.47	27.94	27.94
TBD	34707-2001	20	0.64mm	A	20	0.64mm	C	66.94	64.47	27.94	27.94
TBD	34707-2002	20	0.64mm	C	20	0.64mm	D	66.94	64.47	27.94	27.94
TBD	34707-2003	20	0.64mm	C	20	0.64mm	A	66.94	64.47	27.94	27.94
TBD	34707-2004	12	0.64mm	A	20	0.64mm	A	56.78	54.31	17.78	27.94
TBD	34707-2005	12	0.64mm	A	10	HYBRID	A	56.78	54.31	17.78	27.94
TBD	34707-2006	12	0.64mm	B	10	HYBRID	A	56.78	54.31	17.78	27.94
TBD	34707-2007	10	HYBRID	A	20	0.64mm	B	66.94	64.47	27.94	27.94
34707-7012	34707-2012	10	HYBRID	A	20	0.64mm	C	66.94	64.47	27.94	27.94
TBD	34707-2022	20	0.64mm	C	10	HYBRID	A	66.94	64.47	27.94	27.94
TBD	34707-2023	20	0.64mm	A	20	0.64mm	D	66.94	64.47	27.94	27.94
TBD	34707-2030	10	HYBRID	B	10	HYBRID	A	66.94	64.47	27.94	27.94
TBD	34707-2040	12	0.64mm	A	12	0.64mm	B	46.62	44.15	17.78	17.78
TBD	34707-2050	20	0.64mm	A	16	0.64mm	A	61.86	59.39	27.94	22.86
TBD	34707-2060	20	0.64mm	A	12	0.64mm	A	56.78	54.31	27.94	17.78
TBD	34707-2070	16	0.64mm	A	8	0.64mm	C	46.62	44.15	22.86	12.70
34707-7080	34707-2080	12	0.64mm	A	20	0.64mm	B	56.78	54.31	17.78	27.94
TBD	34707-2090	16	0.64mm	A	16	0.64mm	B		54.31		



NOTES: VALID UNLESS OTHERWISE SPECIFIED

1. GENERAL:

a. CONNECTOR HEADER MUST BE VALIDATED TO THE FOLLOWING FUNCTIONAL REQUIREMENTS:

PRODUCT SPECIFICATION:
8-20 CKT 0.64mm PRODUCT SPEC: PS-34729-100/PS-31408-100
10/14 CKT HYBRID PRODUCT SPEC: PS-31372-100

b. APPLICATION REQUIREMENTS (REFERENCE ONLY):

APPLICATION SPECIFICATION: AS-34729-020/AS-31408-100

c. PACKAGING SPECIFICATION PER MOLEX DRAWING PK-31300-892 (TRAY)
d. PACKAGING SPECIFICATION PER MOLEX DRAWING PK-31301-063 (TUBE)

2. DESIGN: MATERIALS:

a. SHROUD (PLASTIC HOUSING):
RESIN - SPS 30%GF
COLORS:
POL A - BLACK
POL B - GRAY
POL C - BROWN
POL D - GREEN

b. 0.64mm PINS:
BASE MATERIAL: C26000
PLATING TYPE: AS NOTED

1.50/2.80mm BLADES:
BASE MATERIAL: C19400
PLATING TYPE: AS NOTED

3. PLATING REQUIREMENTS:

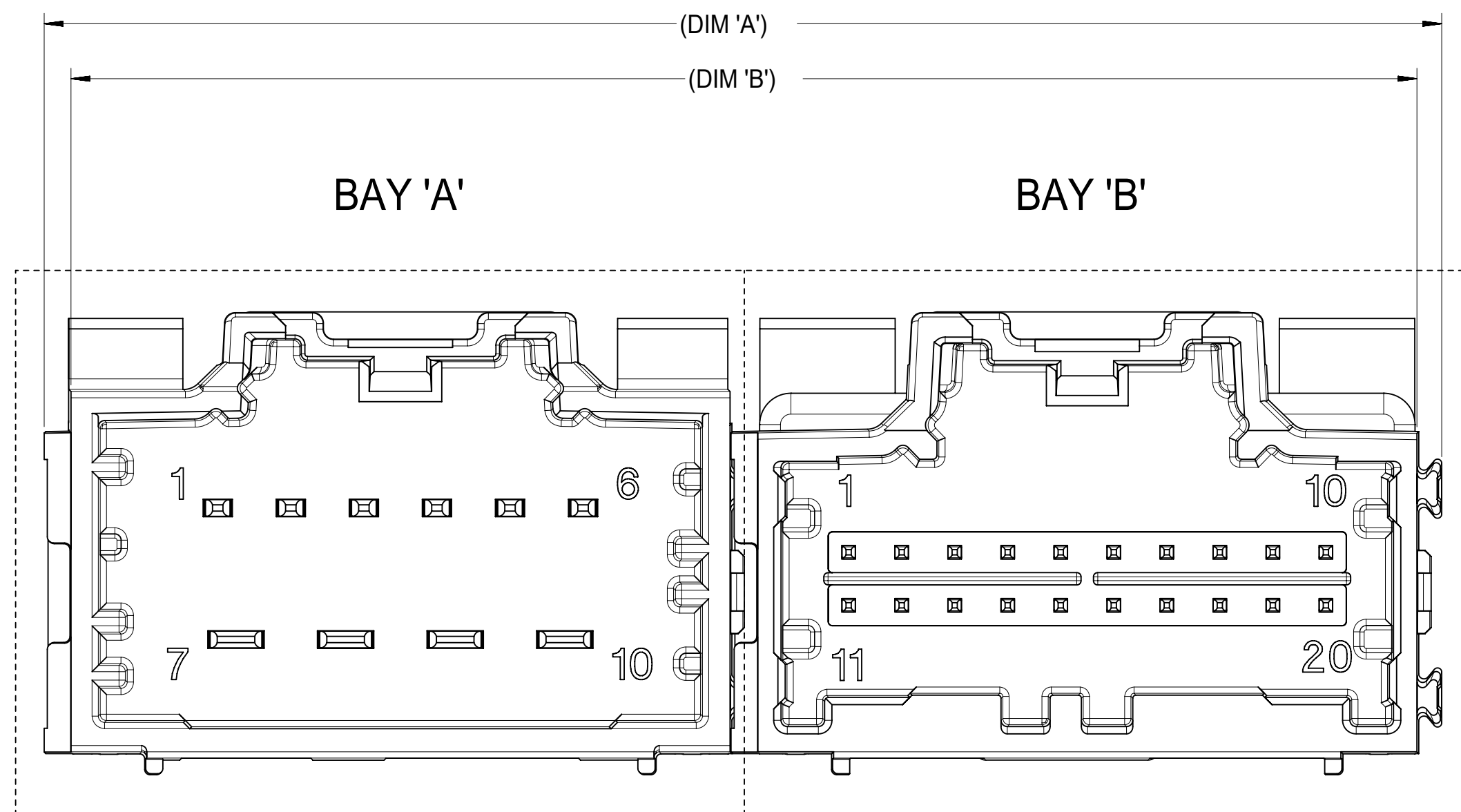
a. UNDERPLATING - OVERALL NICKEL

b. OVERPLATING - OVERALL TIN

4. FOR DESCRIPTION OF INDIVIDUAL BAYS, REFER TO THE FOLLOWING

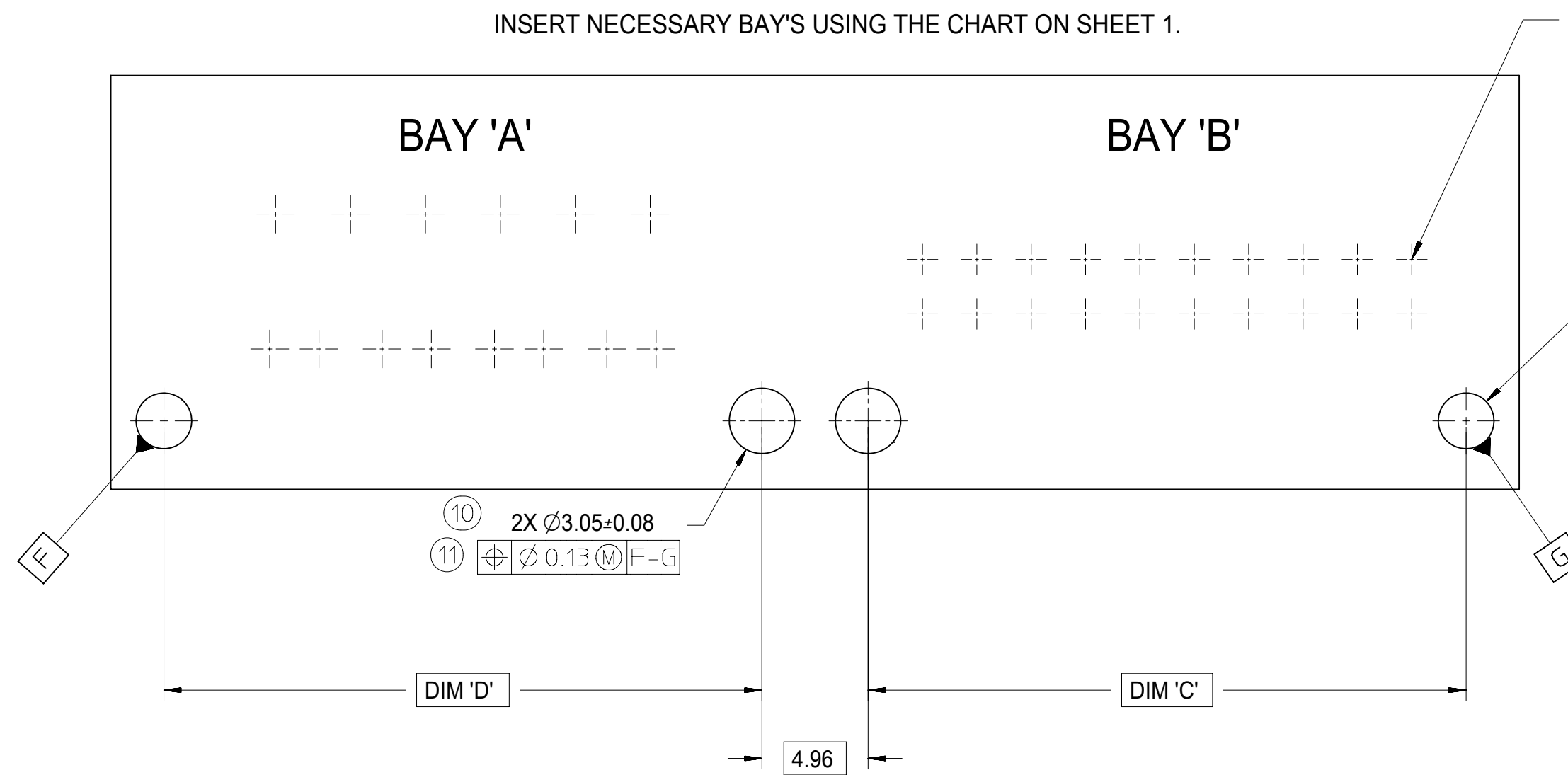
SINGLE BAY DRAWINGS:
8-20 CKT 0.64: SD-34690-100
10 CKT HYBRID: SD-34695-100
14 CKT HYBRID: SD-34772-200

SYMBOLS	THIS DRAWING CONTAINS INFORMATION THAT IS PROPRIETARY TO MOLEX ELECTRONIC TECHNOLOGIES, LLC AND SHOULD NOT BE USED WITHOUT WRITTEN PERMISSION		CURRENT REV DESC:		molex
	DIMENSION UNITS	SCALE			
▽ = 0	mm	4:1			2-BAY STAC64 VERTICAL HEADER ASSEMBLY SALES DRAWING
▽ = 0	GENERAL TOLERANCES (UNLESS SPECIFIED)				
▽ = 0	ANGULAR TOL ± 3.0°		EC NO: 612618		PRODUCT CUSTOMER DRAWING
▽ = 0	4 PLACES ±		DRWN: SHANDITHAVAL 2019/02/22		
▽ = 0	3 PLACES ±		CHK'D: RBAUMAN 2019/02/23		
▽ = 0	2 PLACES ± 0.13		APPR: RBAUMAN 2019/02/23		
▽ = 0	1 PLACE ± 0.25		INITIAL REVISION:		
▽ = 0	0 PLACES ±		DRWN: MBAILEY 2008/08/14		
▽ = 0	DRAFT WHERE APPLICABLE MUST REMAIN WITHIN DIMENSIONS		APPR: SMARCEAU 2008/08/14		
▽ = 0	THIRD ANGLE PROJECTION	DRAWING	SERIES	MATERIAL NUMBER	CUSTOMER
		D-SIZE	34707	SEE TABLE	GENERAL MARKET
					SHEET NUMBER
					1 OF 4



RECOMMENDED PCB LAYOUT

INSERT NECESSARY BAY'S USING THE CHART ON SHEET 1.

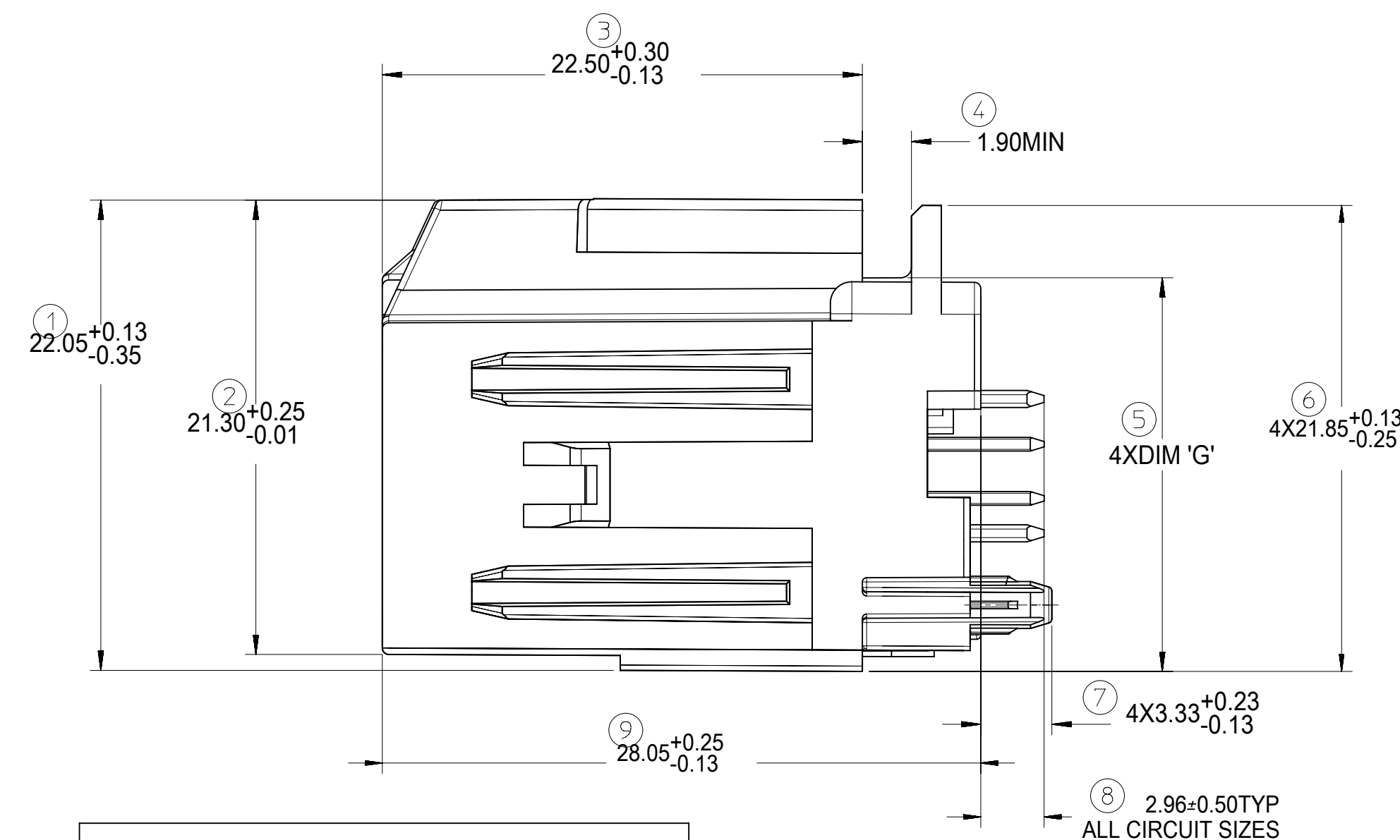


FOR HOLE LOCATION REFER TO TEMPLATE ON SHEET 4

2X $\phi Z=0.08$ (12)
 $\phi \phi 0.13$ (13)

POST HOLE TABLE:

FOR DIM Z:	
PRESS FIT:	2.60
DROP IN:	3.05

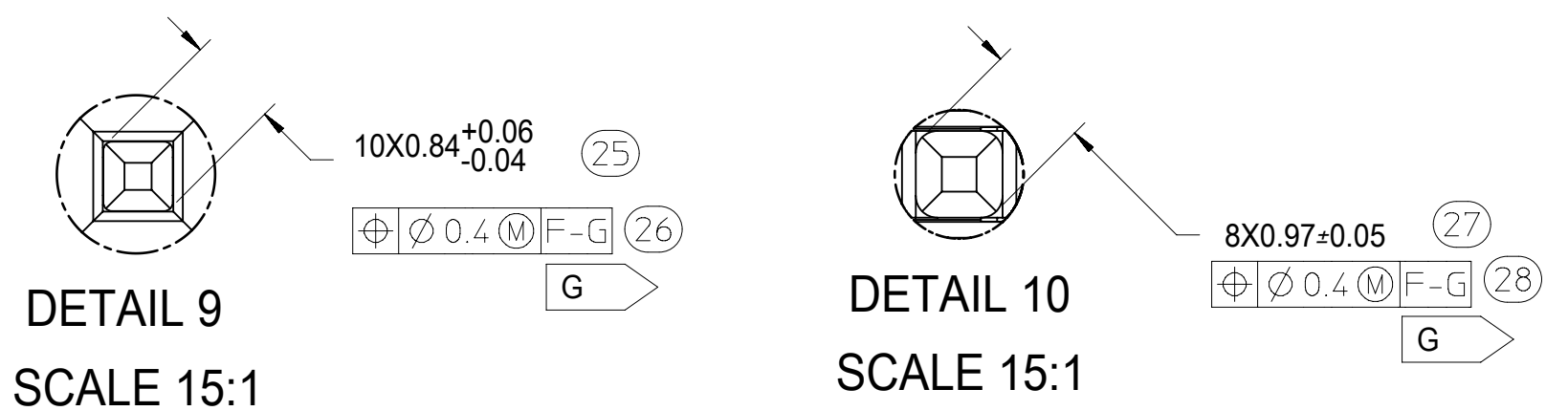
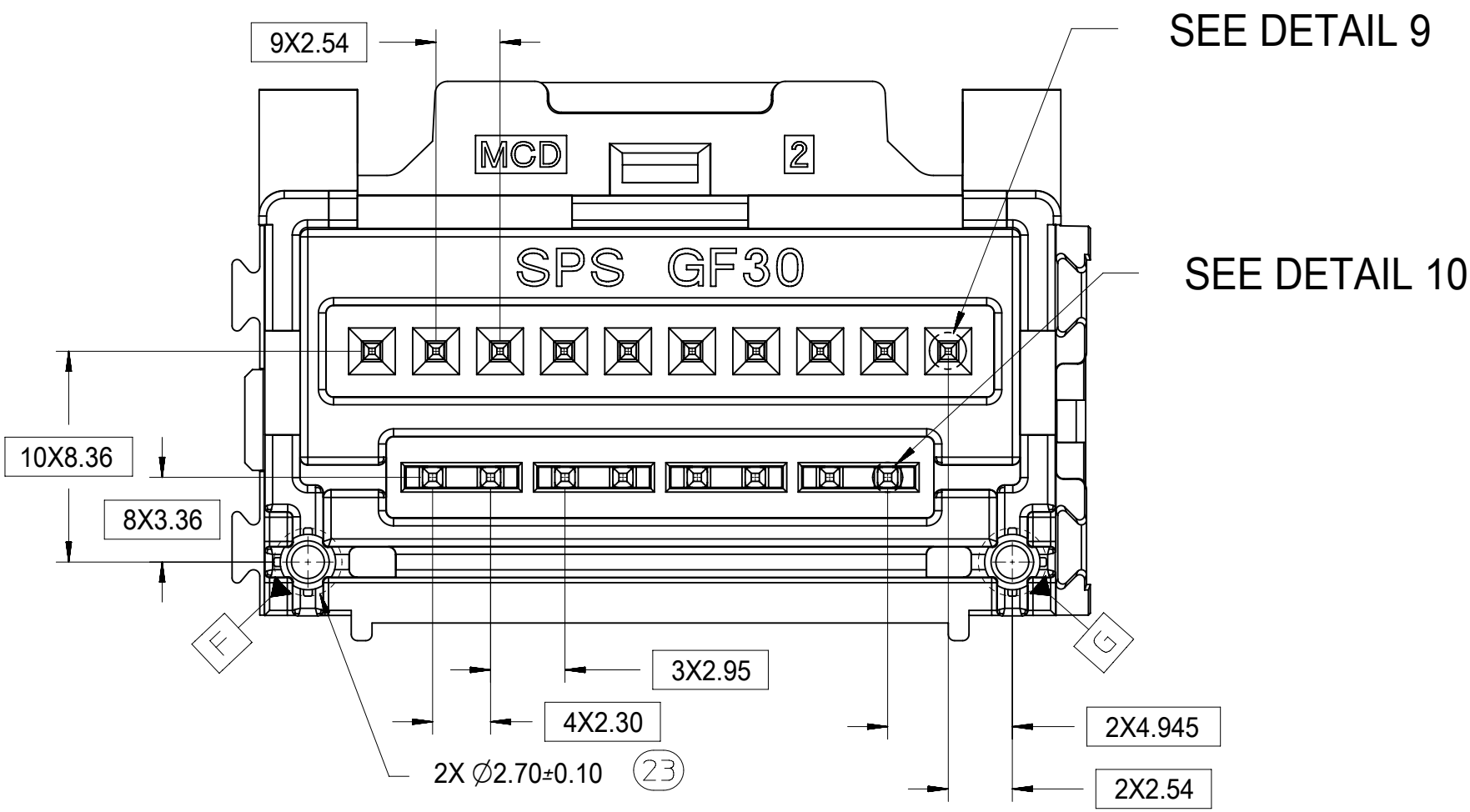
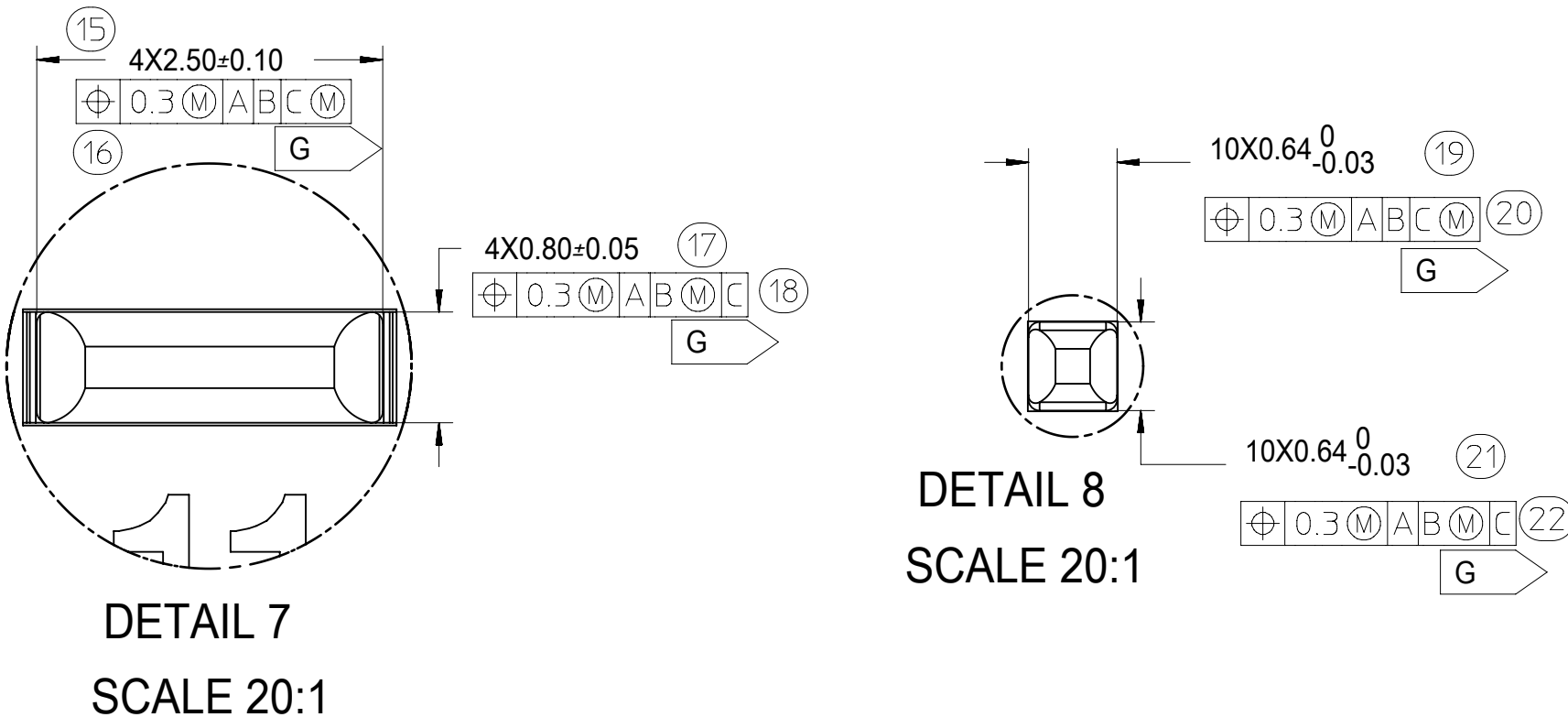
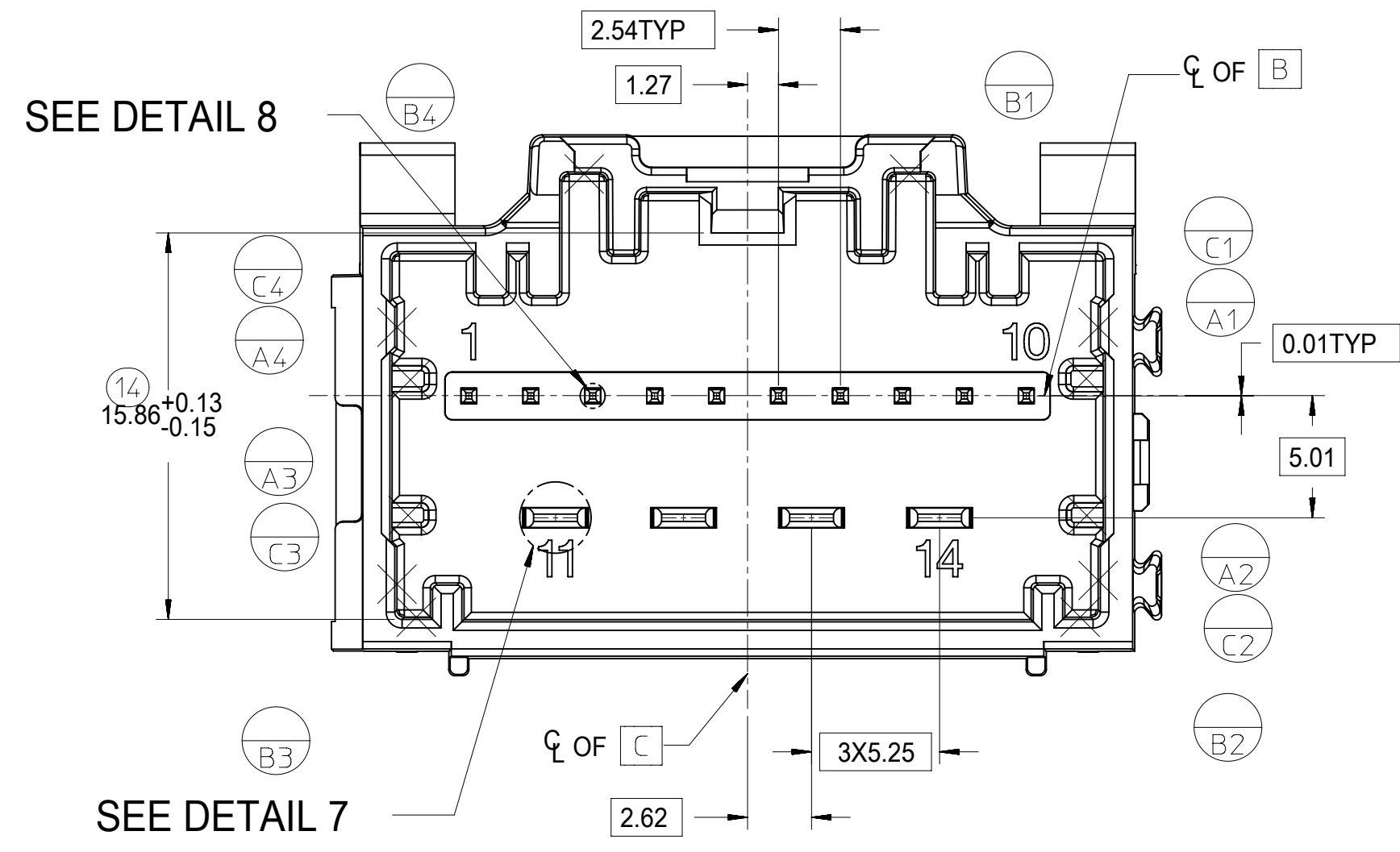


FOR DIM G:

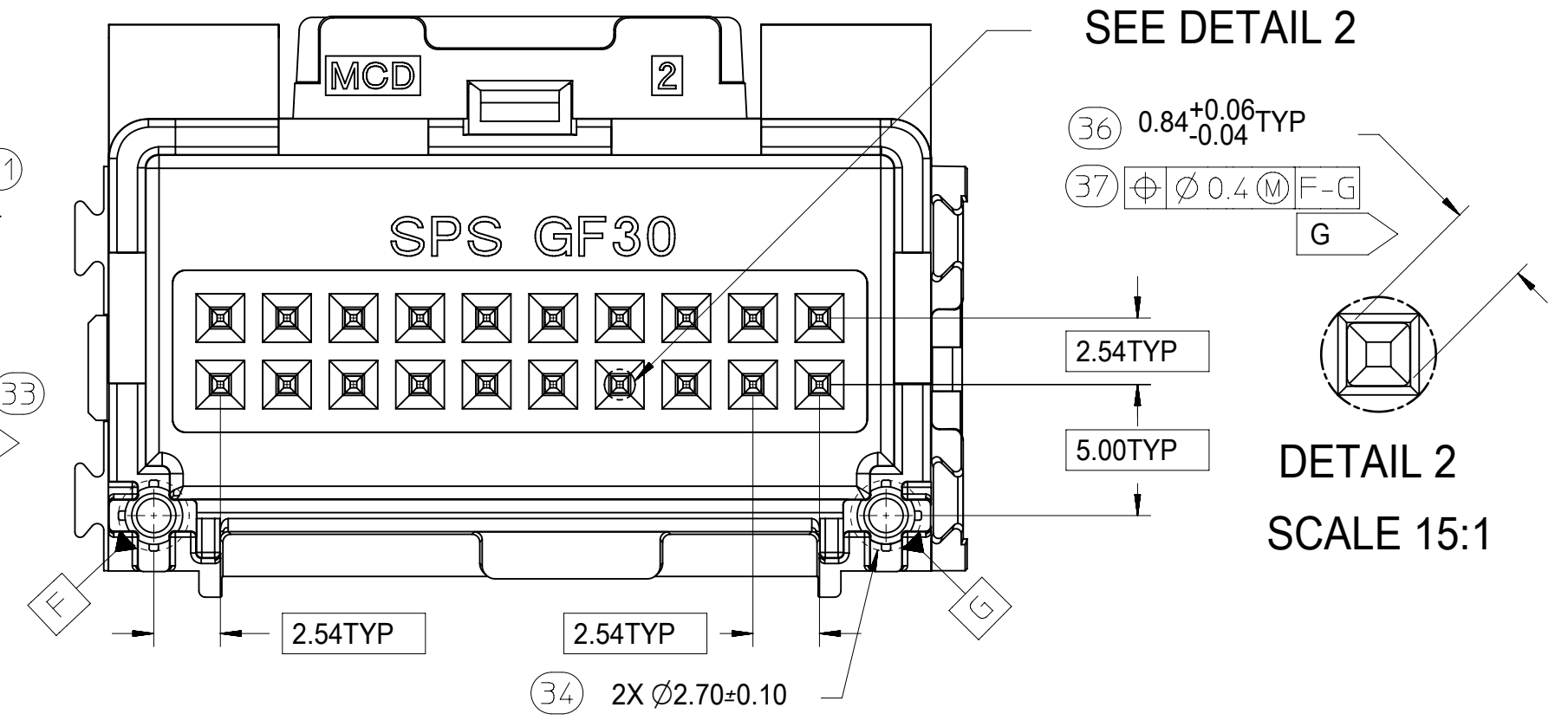
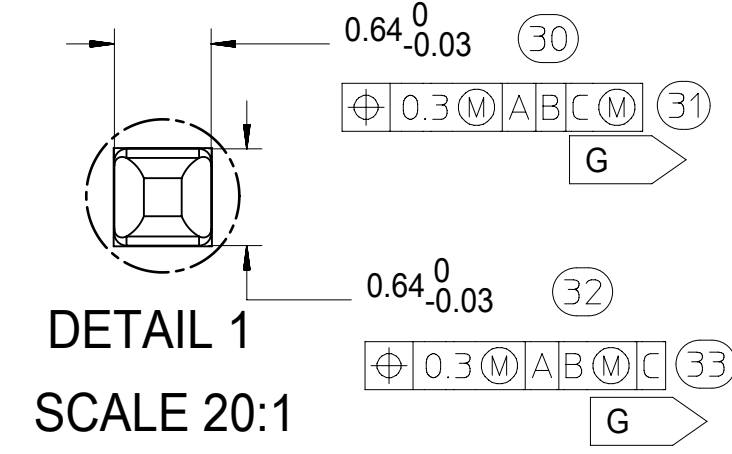
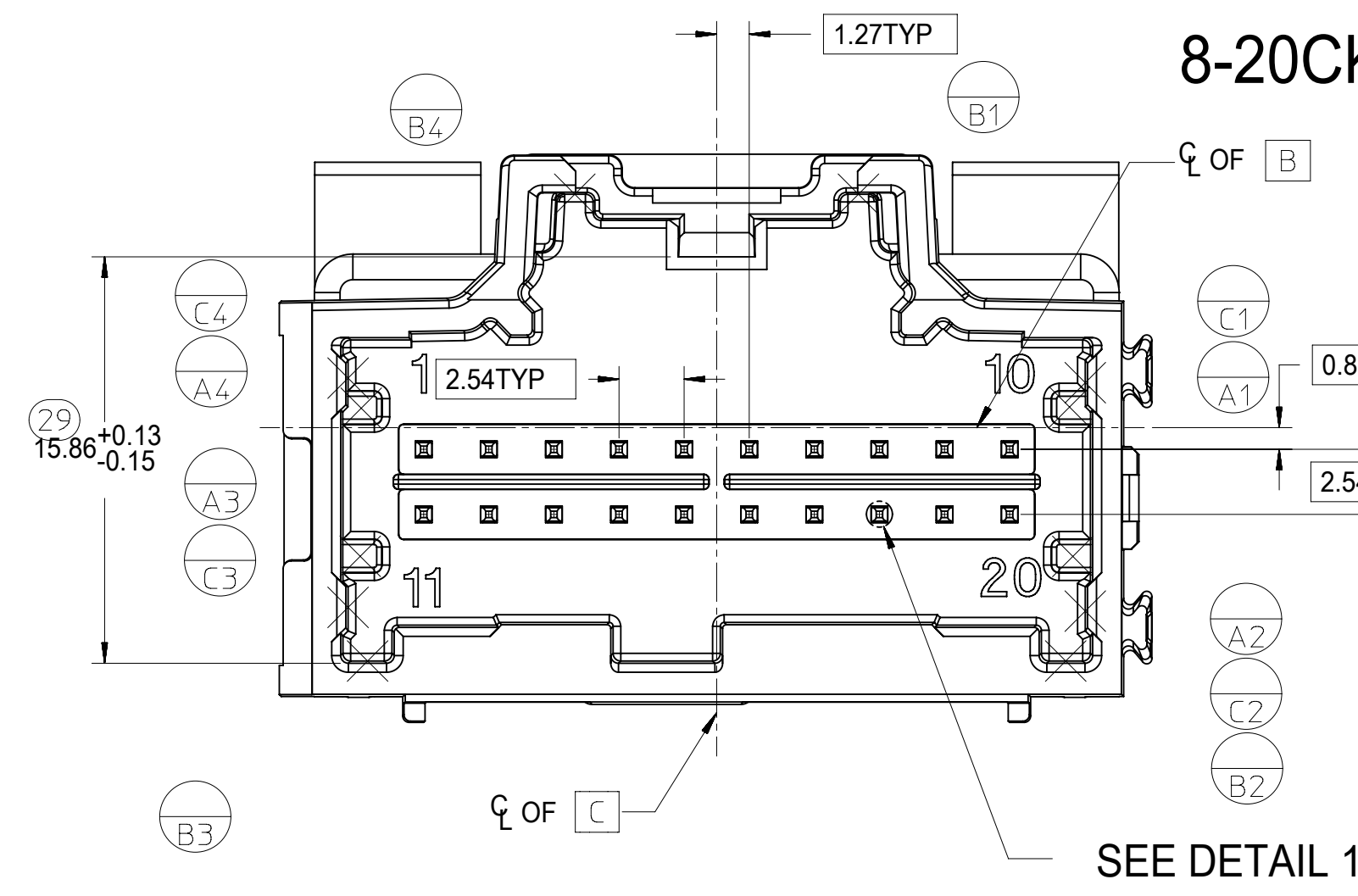
8-20CKT 0.64mm	18.40 MAX
10/14CKT Hybrid	18.59 MAX

SYMBOLS		THIS DRAWING CONTAINS INFORMATION THAT IS PROPRIETARY TO MOLEX ELECTRONIC TECHNOLOGIES, LLC AND SHOULD NOT BE USED WITHOUT WRITTEN PERMISSION		CURRENT REV DESC:		molex	
DIMENSION UNITS	SCALE						
$\nabla = 0$	mm	4:1					
$\nabla = 0$	GENERAL TOLERANCES (UNLESS SPECIFIED)			EC NO: 612618		2-BAY STAC64 VERTICAL HEADER ASSEMBLY SALES DRAWING	
$\nabla = 0$	ANGULAR TOL	\pm	3.0°	DRWN: SHANDITHAVAL	2019/02/22	PRODUCT CUSTOMER DRAWING	
$\nabla = 0$	4 PLACES	\pm		CHK'D: RBAUMAN	2019/02/23	DOCUMENT NUMBER	
$\nabla = 0$	3 PLACES	\pm		APPR: RBAUMAN	2019/02/23	DOC TYPE	
$\nabla = 0$	2 PLACES	\pm	0.13	INITIAL REVISION:		DOC PART	
$\nabla = 0$	1 PLACE	\pm	0.25	DRWN: MBAILEY	2008/08/14	REVISION	
$\nabla = 0$	0 PLACES	\pm		APPR: SMARCEAU	2008/08/14	SD-34707-200	
$\square = 0$	DRAFT WHERE APPLICABLE MUST REMAIN WITHIN DIMENSIONS			THIRD ANGLE PROJECTION	DRAWING	SERIES	MATERIAL NUMBER
$\nabla = 0$					D-SIZE	34707	CUSTOMER
						SEE TABLE	GENERAL MARKET
						SHEET NUMBER	
						2 OF 4	

14CKT STAC HYBRID HEADER DETAILS

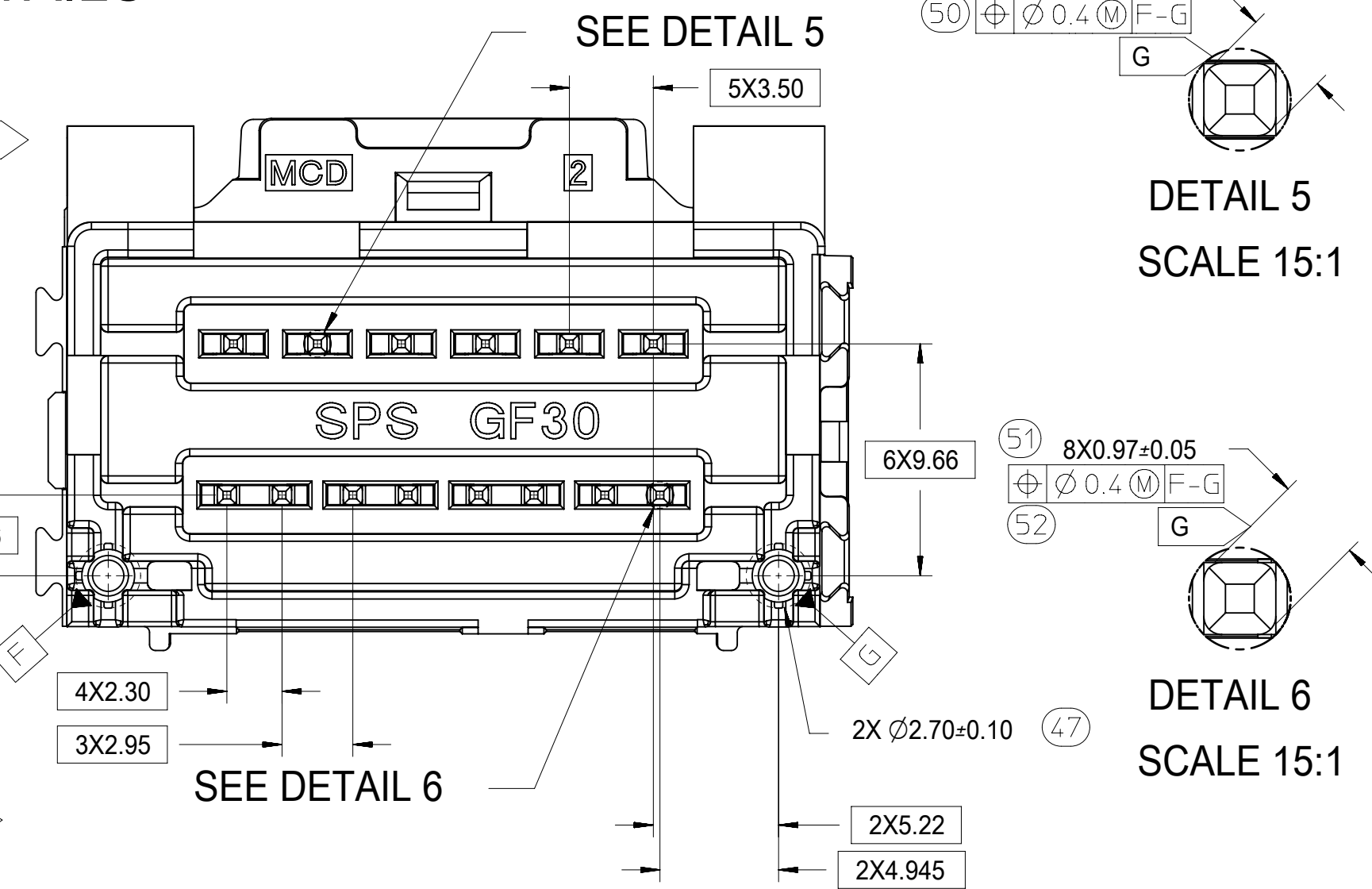
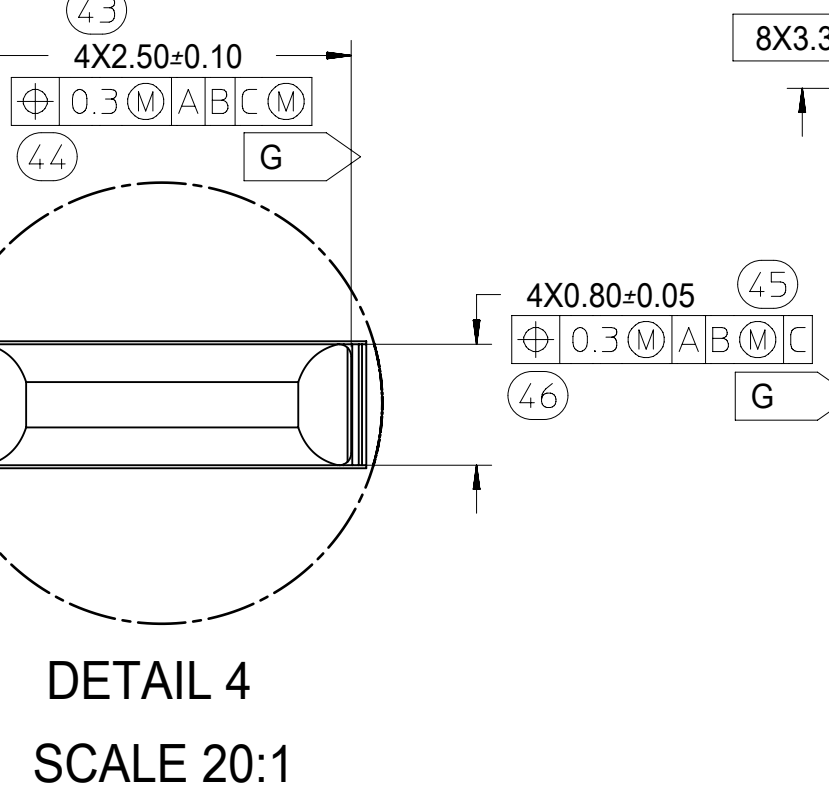
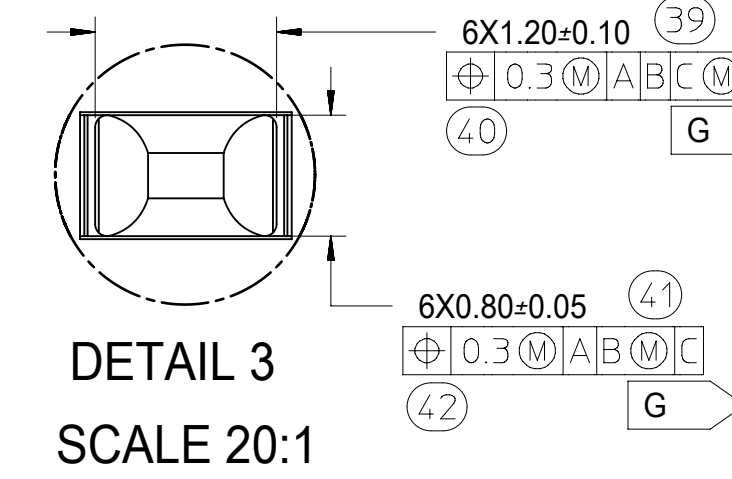
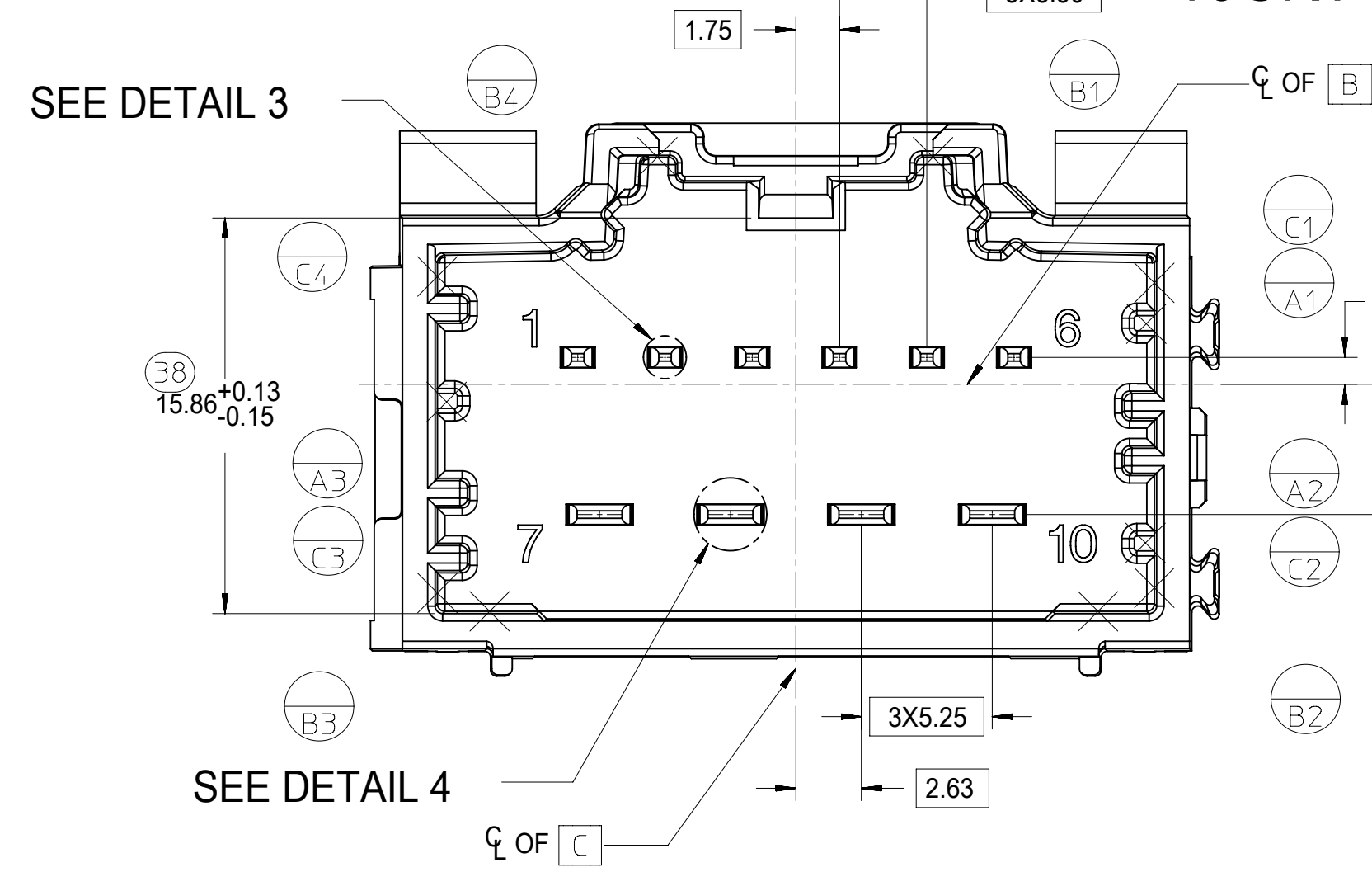


8-20CKT STAC 0.64mm HEADER DETAILS



DETAIL 2 SCALE 15:1

10CKT STAC HYBRID HEADER DETAILS



DETAIL 5 SCALE 15:1

DETAIL 6 SCALE 15:1

SYMBOLS	THIS DRAWING CONTAINS INFORMATION THAT IS PROPRIETARY TO MOLEX ELECTRONIC TECHNOLOGIES, LLC AND SHOULD NOT BE USED WITHOUT WRITTEN PERMISSION		
	DIMENSION UNITS	SCALE	CURRENT REV DESC:
$\nabla = 0$	mm	4:1	
$\nabla = 0$	GENERAL TOLERANCES (UNLESS SPECIFIED)		
$\nabla = 0$	ANGULAR TOL $\pm 3.0^\circ$		
$\nabla = 0$	4 PLACES	\pm	EC NO: 612618
$\nabla = 0$	3 PLACES	\pm	DRWN: SHANDITHAVAL 2019/02/22
$\nabla = 0$	2 PLACES	± 0.13	CHK'D: RBAUMAN 2019/02/23
$\nabla = 0$	1 PLACE	± 0.25	APPR: RBAUMAN 2019/02/23
$\nabla = 0$	0 PLACES	\pm	INITIAL REVISION:
$\nabla = 0$	DRAFT WHERE APPLICABLE MUST REMAIN WITHIN DIMENSIONS		DRWN: MBAILEY 2008/08/14
$\nabla = 0$	THIRD ANGLE PROJECTION	DRAWING	2008/08/14
$\nabla = 0$		SERIES	
		D-SIZE	34707
DOCUMENT STATUS		P1	RELEASE DATE
P1		2019/02/23	23:32:56
DOCUMENT NUMBER		DOC TYPE	DOC PART
SD-34707-200		PSD	001
MATERIAL NUMBER		CUSTOMER	REVISION
SEE TABLE		GENERAL MARKET	K7
SHEET NUMBER		3 OF 4	

molex

2-BAY STAC64 VERTICAL HEADER ASSEMBLY SALES DRAWING

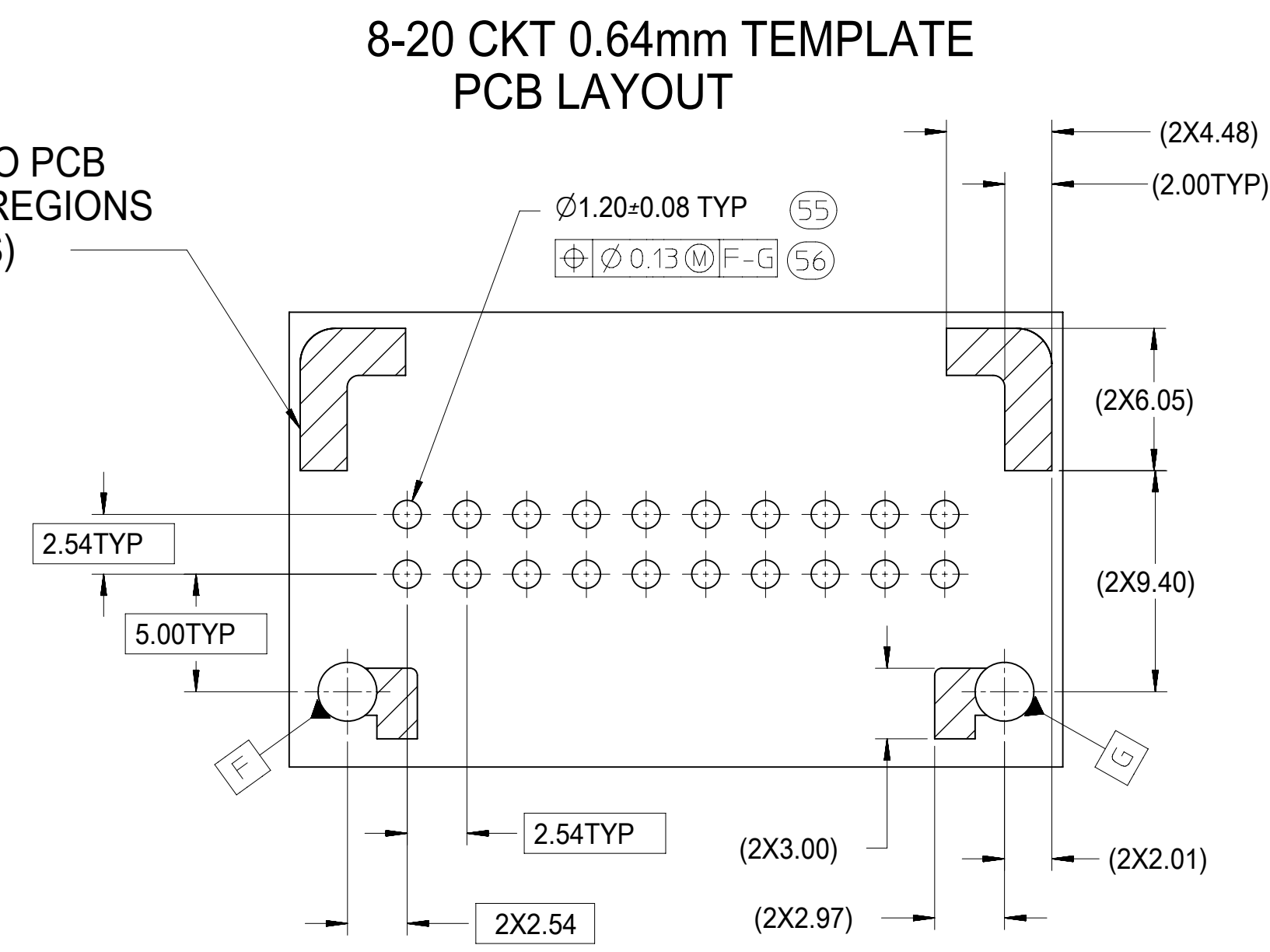
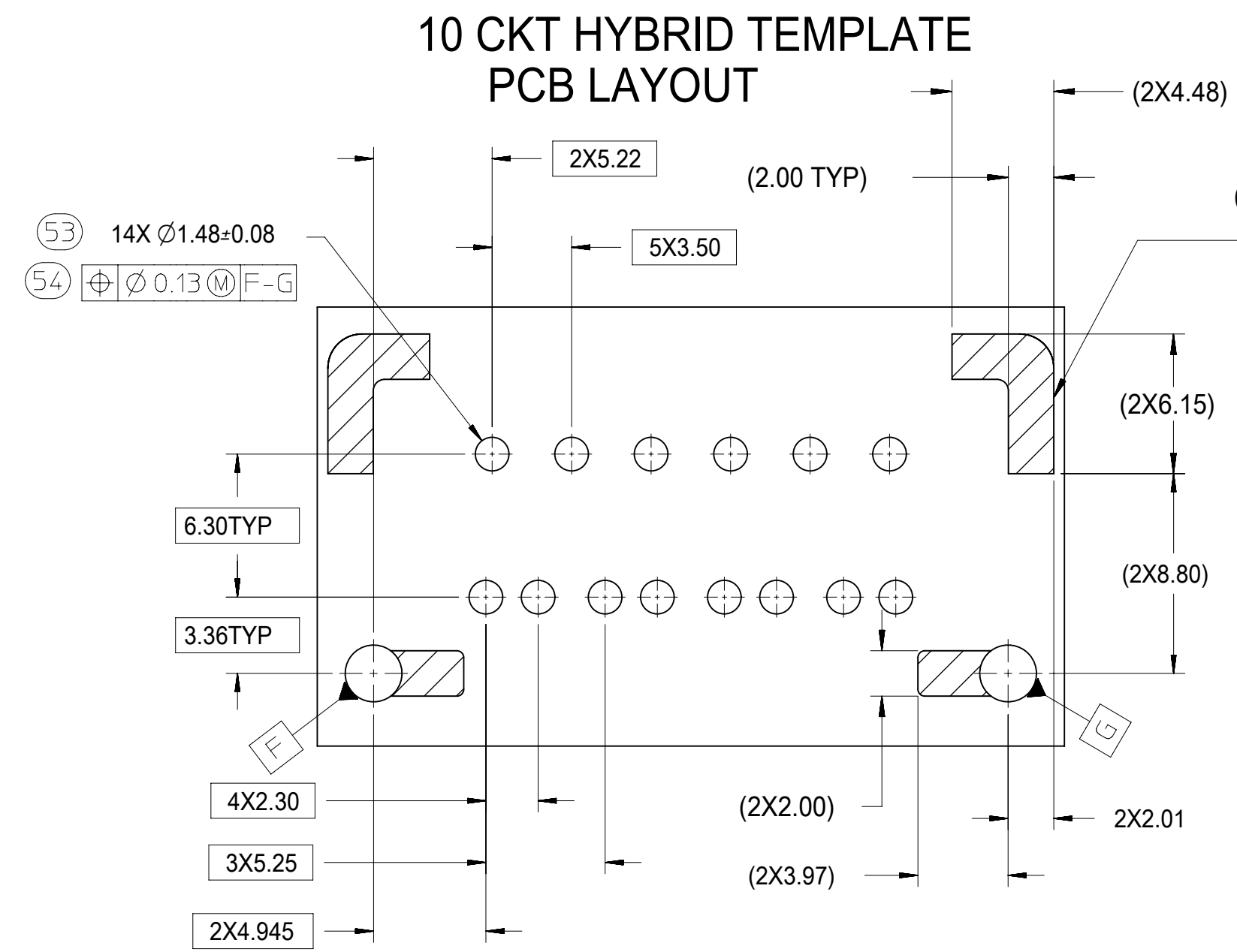
PRODUCT CUSTOMER DRAWING

DOCUMENT NUMBER DOC TYPE DOC PART REVISION

SD-34707-200 PSD 001 K7

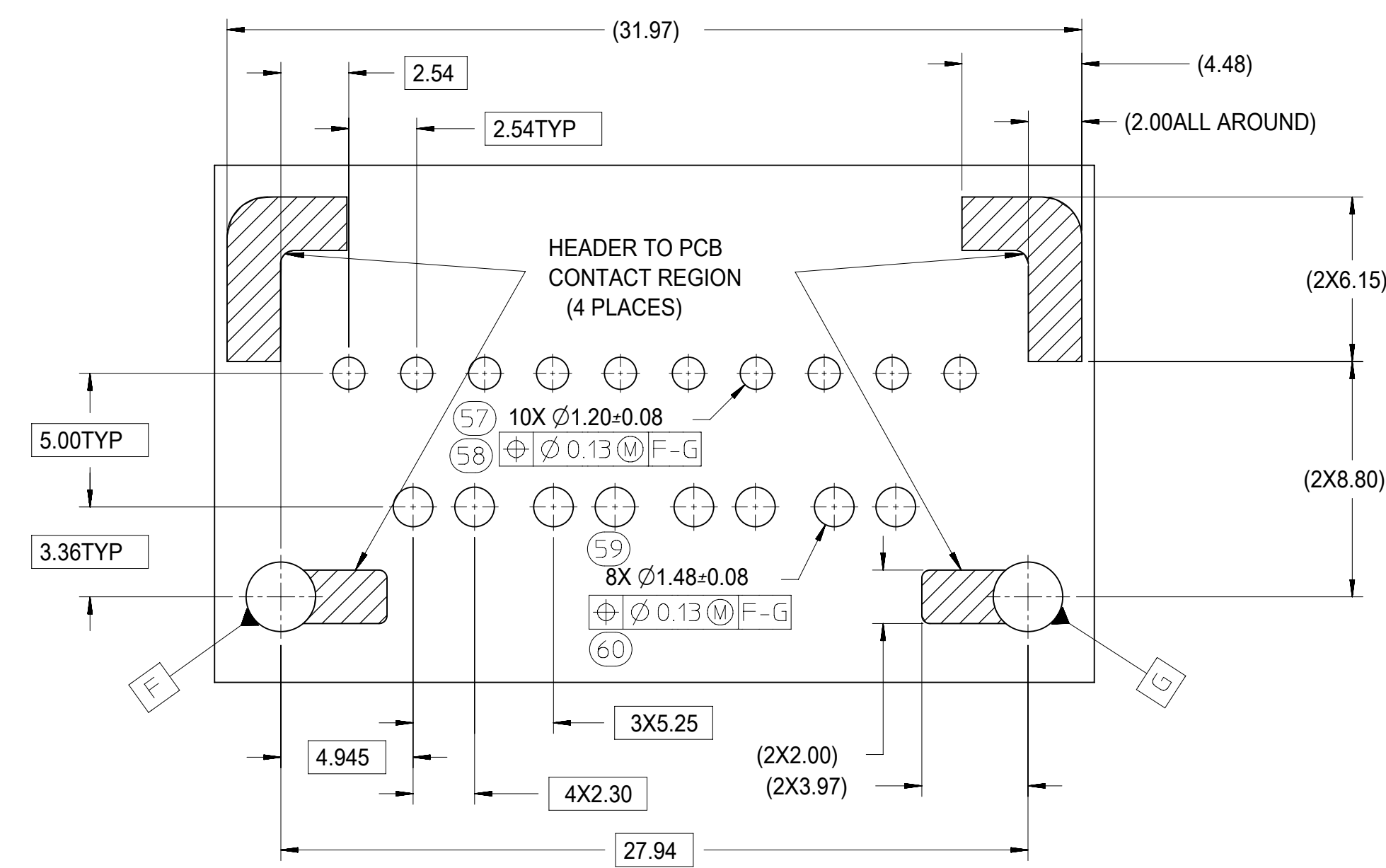
MATERIAL NUMBER CUSTOMER SHEET NUMBER

SEE TABLE GENERAL MARKET 3 OF 4



HEADER TO PCB CONTACT REGIONS (8 PLACES)

14 CKT HYBRID TEMPLATE PCB LAYOUT

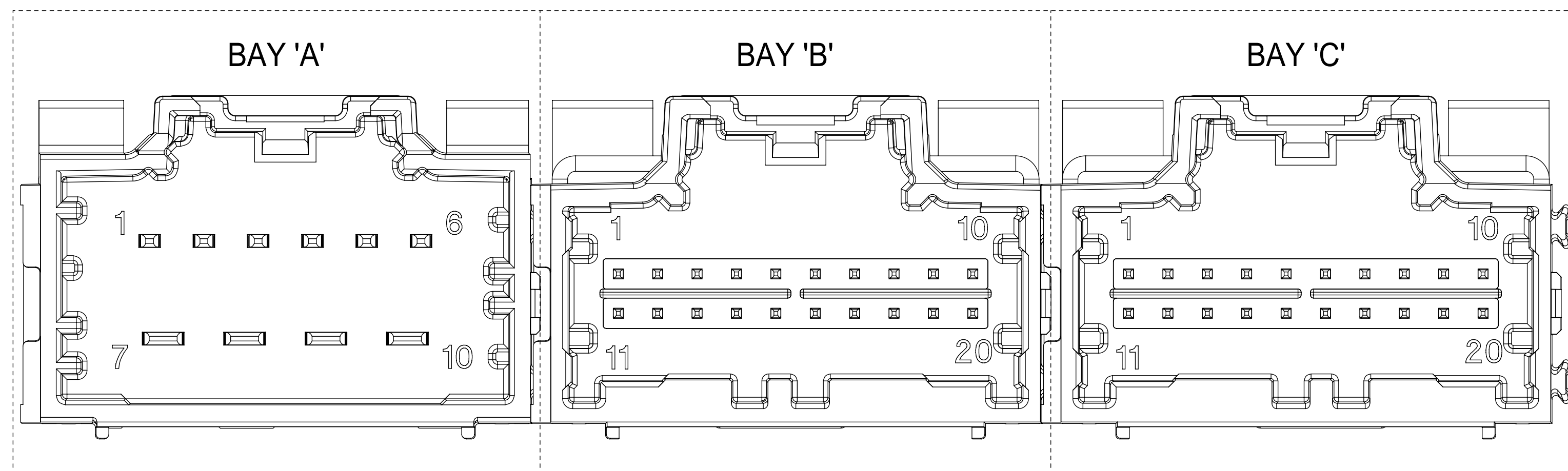


SYMBOLS	THIS DRAWING CONTAINS INFORMATION THAT IS PROPRIETARY TO MOLEX ELECTRONIC TECHNOLOGIES, LLC AND SHOULD NOT BE USED WITHOUT WRITTEN PERMISSION		CURRENT REV DESC:				
	DIMENSION UNITS	SCALE					
▽ = 0	mm	4:1	GENERAL TOLERANCES (UNLESS SPECIFIED)		PRODUCT CUSTOMER DRAWING		
▽ = 0	ANGULAR TOL ± 3.0°		4 PLACES ±		DOCUMENT NUMBER		
▽ = 0	3 PLACES ±		3 PLACES ±		DOC TYPE DOC PART REVISION		
▽ = 0	2 PLACES ± 0.13		2 PLACES ±		SD-34707-200 PSD 001 K7		
▽ = 0	1 PLACE ± 0.25		1 PLACE ±		MATERIAL NUMBER CUSTOMER SHEET NUMBER		
▽ = 0	0 PLACES ±		0 PLACES ±		SEE TABLE GENERAL MARKET 4 OF 4		
▽ = 0	DRAFT WHERE APPLICABLE MUST REMAIN WITHIN DIMENSIONS		THIRD ANGLE PROJECTION		SERIES		
▽ = 0			D-SIZE		34707		

DIMENSIONAL CHART FOR MULTIBAY CONFIGURATION:

PART NUMBER (TUBE PKG)	PART NUMBER (TRAY PKG)	BAY A			BAY B			BAY C			DIM 'A'	DIM 'B'	DIM 'C'	DIM 'D'	DIM 'E'
		CKT	TYPE	POL	CKT	TYPE	POL	CKT	TYPE	POL					
TBD	34707-3010	20	0.64mm	A	8	0.64mm	A	16	0.64mm	A	79.52	77.05	22.86	12.70	27.94
TBD	34707-3020	16	0.64mm	B	8	0.64mm	B	20	0.64mm	B	79.52	77.05	27.94	12.70	22.86
TBD	34707-3021	10	HYBRID	A	20	0.64mm	C	20	0.64mm	D	99.84	97.37	27.94	27.94	27.94
TBD	34707-3030	12	0.64mm	A	20	0.64mm	C	20	0.64mm	D	89.68	87.21	27.94	27.94	17.78
TBD	34707-3040	20	0.64mm	A	20	0.64mm	B	20	0.64mm	C	99.84	97.37	27.94	27.94	27.94
TBD	34707-3050	16	0.64mm	A	16	0.64mm	B	16	0.64mm	C	84.60	82.13	22.86	22.86	22.86
TBD	34707-3060	20	0.64mm	B	16	0.64mm	C	10	HYBRID	A	94.76	92.29	27.94	22.86	27.94
TBD	34707-3070	10	HYBRID	A	10	HYBRID	B	10	HYBRID	C	99.84	97.37	27.94	27.94	27.94
TBD	34707-3090	20	0.64mm	A	20	0.64mm	C	8	0.64mm	B	84.60	82.13	27.94	27.94	12.70
TBD	34707-3100	14	HYBRID	A	20	0.64mm	A	20	0.64mm	B	99.84	97.37	27.94	27.94	27.94

3-BAY STAC64 VERTICAL HEADER ASSEMBLY
(P/N: 34707-3021 SHOWN)



NOTES: VALID UNLESS OTHERWISE SPECIFIED
1. GENERAL:

a. CONNECTOR HEADER MUST BE VALIDATED TO THE FOLLOWING FUNCTIONAL REQUIREMENTS:

PRODUCT SPECIFICATION:
8-20 CKT 0.64mm PRODUCT SPEC: PS-34729-020/PS-31408-100
10/14 CKT HYBRID PRODUCT SPEC: PS-31372-100

b. APPLICATION REQUIREMENTS (REFERENCE ONLY):

APPLICATION SPECIFICATION: AS-34729-020/AS-31408-100

c. PACKAGING SPECIFICATION PER MOLEX DRAWING PK-31300-892 (TRAY)
c. PACKAGING SPECIFICATION PER MOLEX DRAWING PK-31301-063 (TUBE)

2. DESIGN: MATERIALS:

a. SHROUD (PLASTIC HOUSING):
RESIN - SPS 30%GF
COLOR:
POL A - BLACK
POL B - GRAY
POL C - BROWN
POL D - GREEN

b. 0.64mm PINS:
BASE MATERIAL: C26000
PLATING TYPE: AS NOTED

1.50/2.80mm BLADES:
BASE MATERIAL: C19400
PLATING TYPE: AS NOTED

3. PLATING REQUIREMENTS:

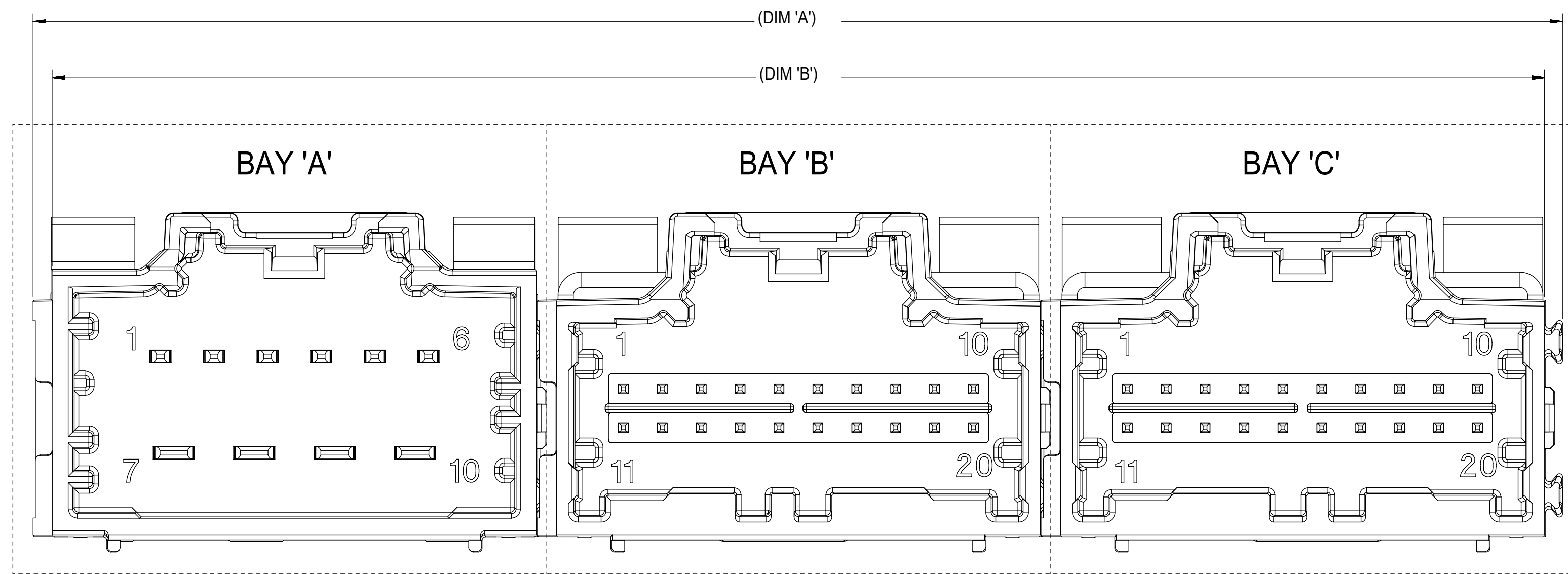
a. UNDERPLATING - OVERALL NICKEL

b. OVERPLATING - OVERALL TIN

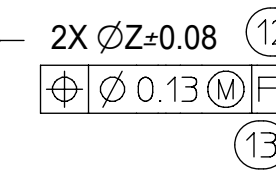
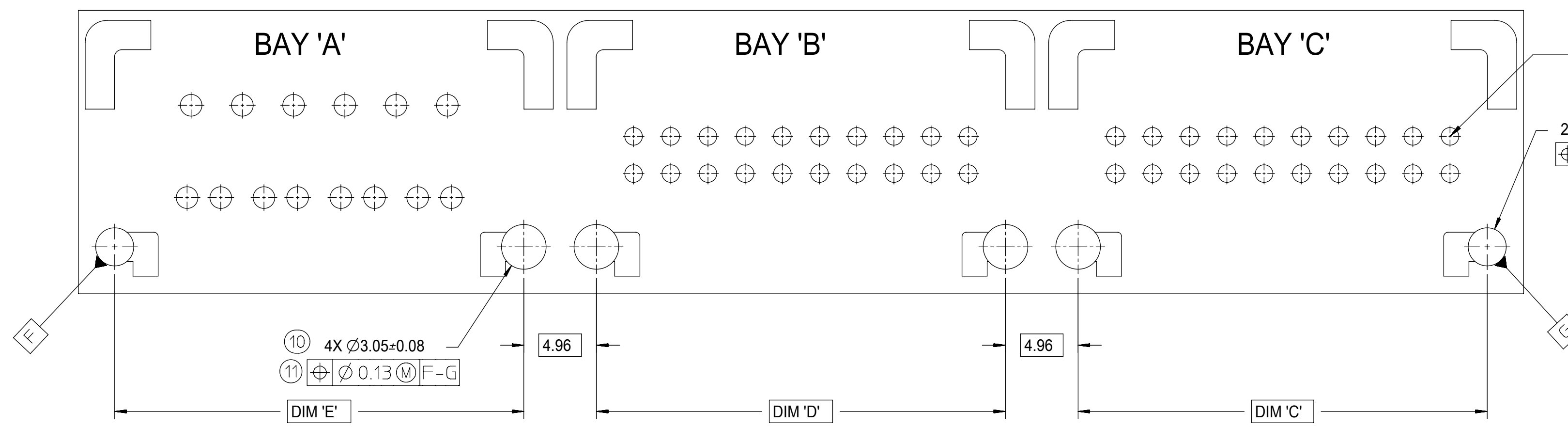
4. FOR DESCRIPTION OF INDIVIDUAL BAYS, REFER TO THE FOLLOWING

SINGLE BAY DRAWINGS:
8-20 CKT 0.64: SD-34690-100
10 CKT HYBRID: SD-34695-100
14 CKT HYBRID: SD-34772-200

SYMBOLS	THIS DRAWING CONTAINS INFORMATION THAT IS PROPRIETARY TO MOLEX ELECTRONIC TECHNOLOGIES, LLC AND SHOULD NOT BE USED WITHOUT WRITTEN PERMISSION		CURRENT REV DESC:		
	DIMENSION UNITS	SCALE			
▽ = 0	mm	4:1			3-BAY STAC64 VERTICAL HEADER ASSEMBLY SALES DRAWING
▽ = 0	GENERAL TOLERANCES (UNLESS SPECIFIED)				
▽ = 0	ANGULAR TOL ± 1.0°		EC NO: 612618		PRODUCT CUSTOMER DRAWING
▽ = 0	4 PLACES	±	DRWN: SHANDITHAVAL	2019/02/22	
▽ = 0	3 PLACES	±	CHK'D: RBAUMAN	2019/02/23	DOCUMENT NUMBER DOC TYPE DOC PART REVISION SD-34707-300 PSD 001 K2
▽ = 0	2 PLACES	± 0.13	APPR: RBAUMAN	2019/02/23	
▽ = 0	1 PLACE	± 0.25	INITIAL REVISION:		
▽ = 0	0 PLACES	±	DRWN: JDUNAJ	2009/03/10	
▽ = 0	DRAFT WHERE APPLICABLE MUST REMAIN WITHIN DIMENSIONS		THIRD ANGLE PROJECTION	DRAWING	SERIES
▽ = 0				D-SIZE	34707
			MATERIAL NUMBER	CUSTOMER	SHEET NUMBER
			SEE TABLE	GENERAL MARKET	1 OF 4



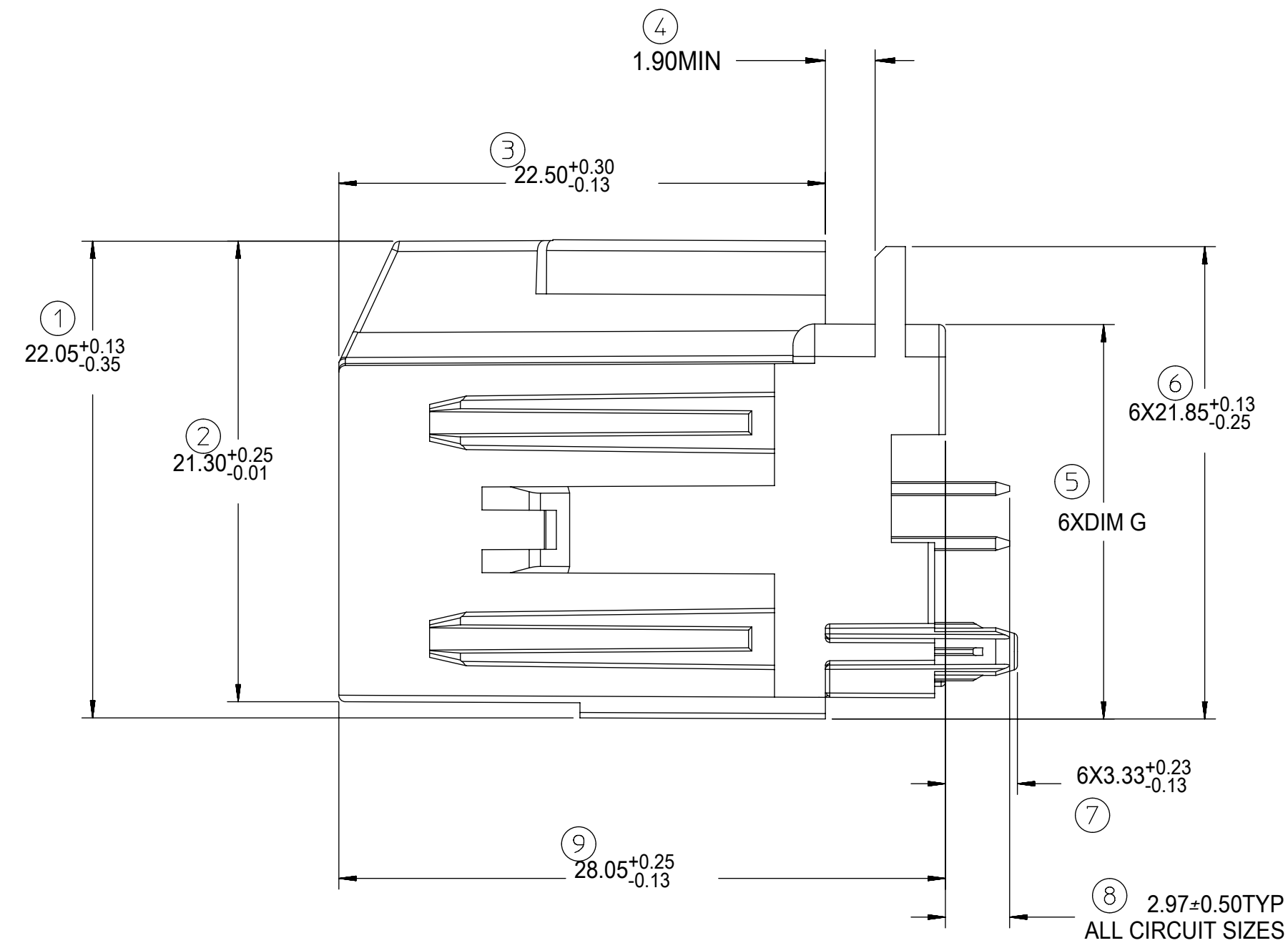
RECOMMENDED PCB LAYOUT
 INSERT NECESSARY BAYS USING CHART ON SHEET 1



FOR PIN LOCATION,
 REFER TO TEMPLATES ON SHEET 4

POST HOLE TABLE:

FOR DIM Z:	
PRESS FIT:	2.60
DROP IN:	3.05

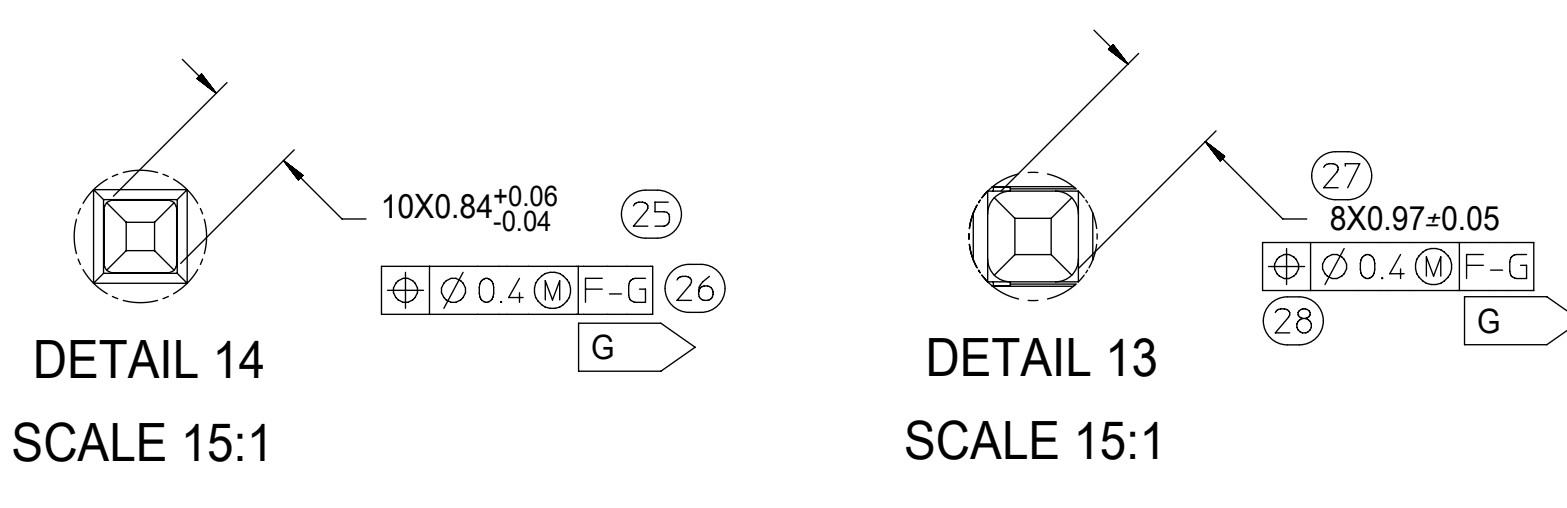
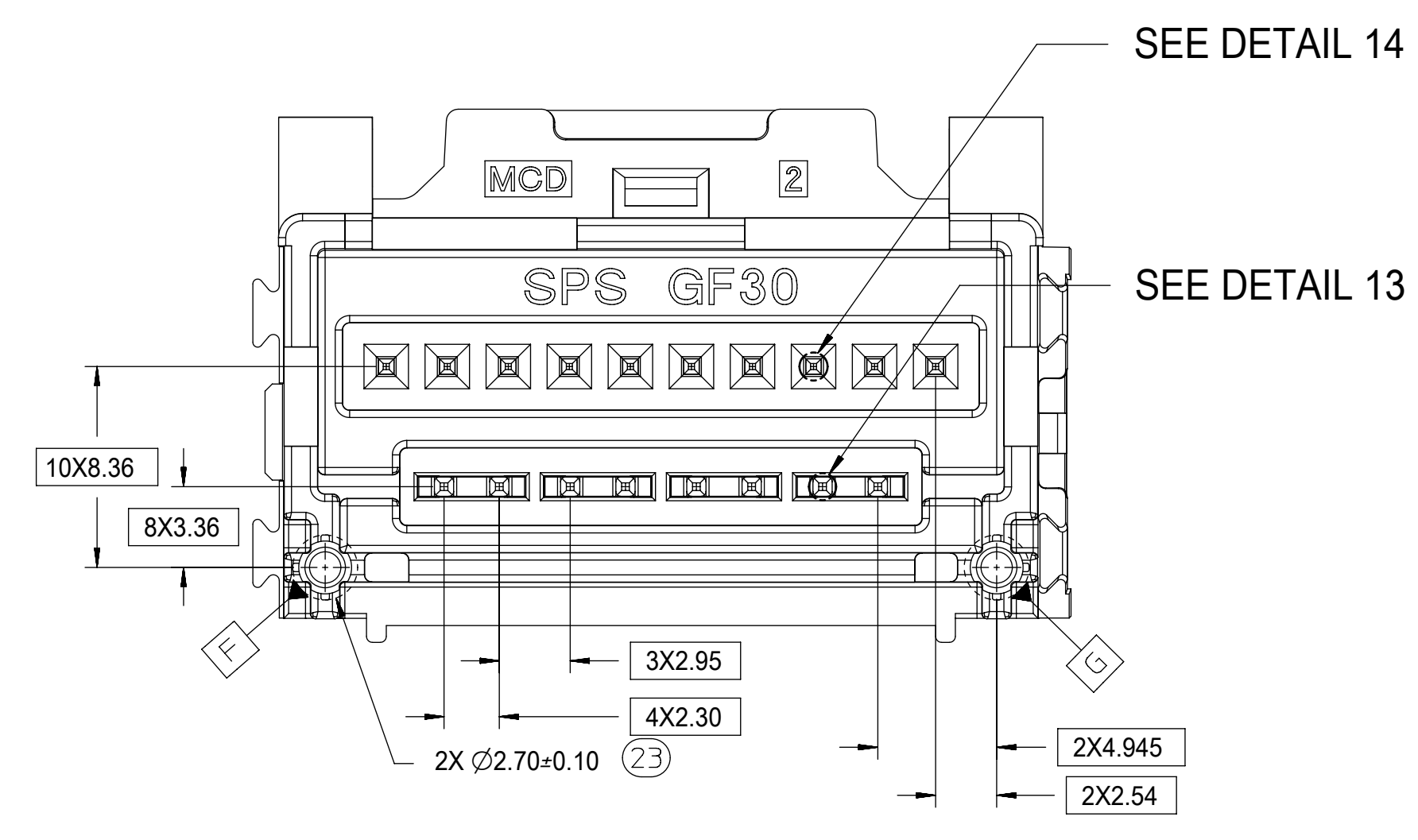
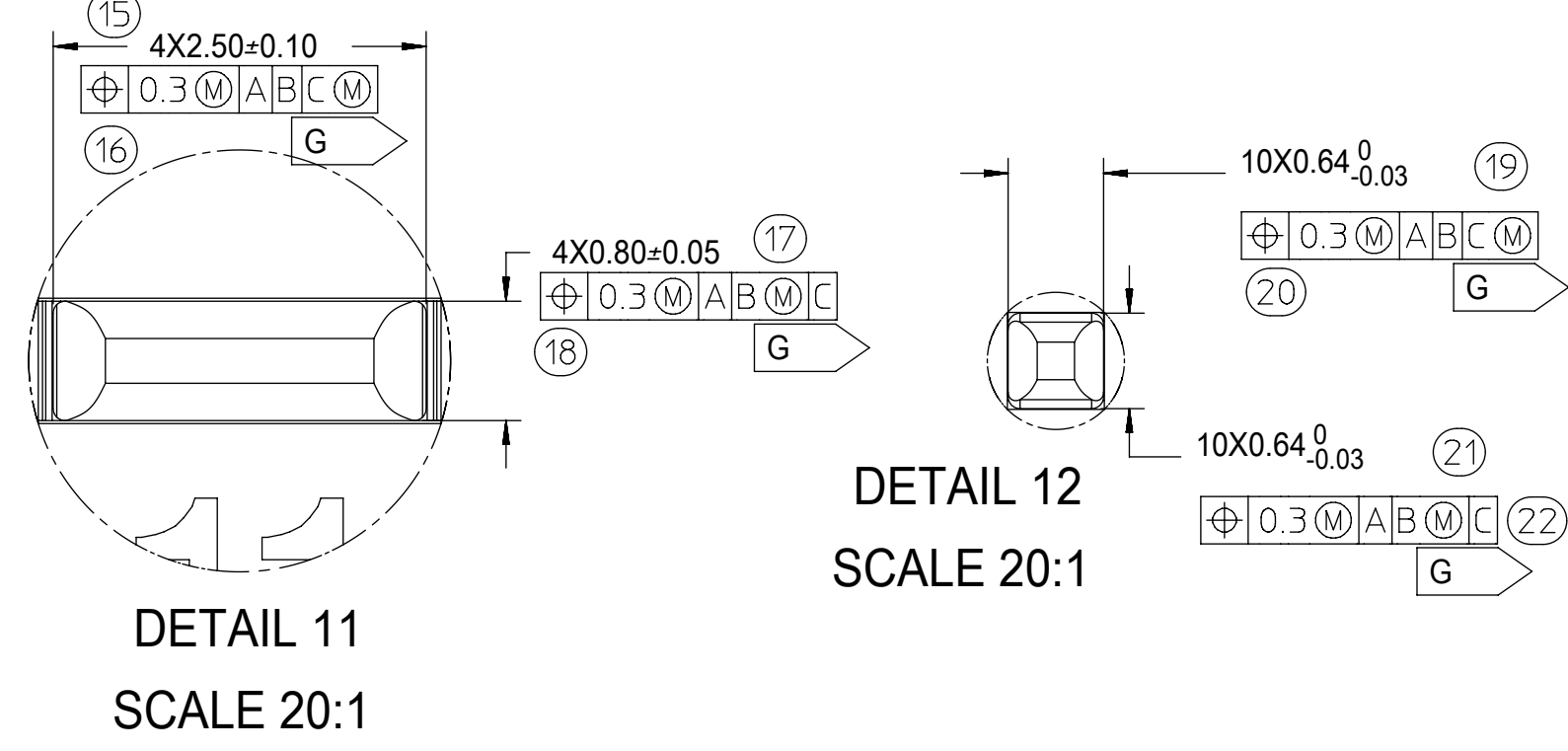
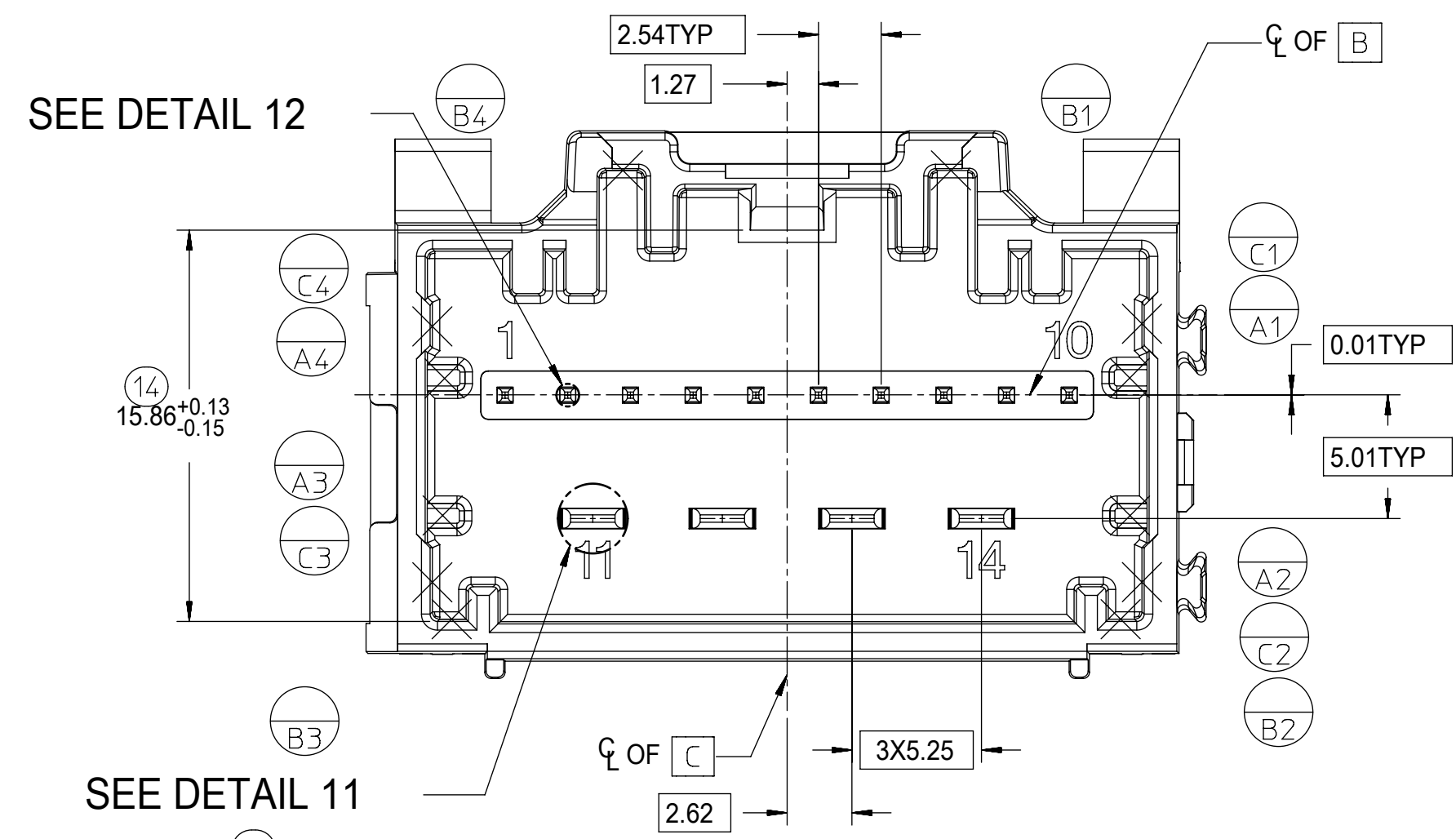


FOR DIM G:

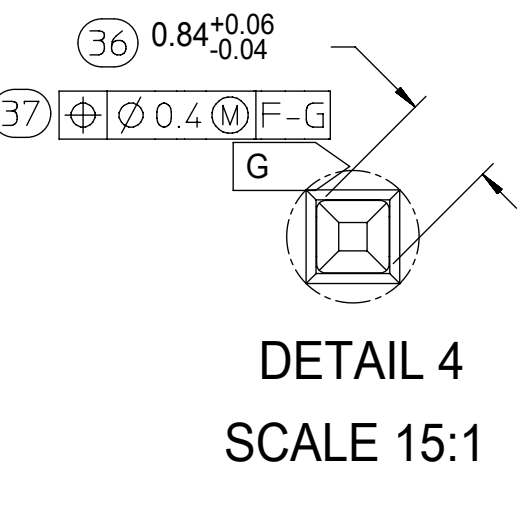
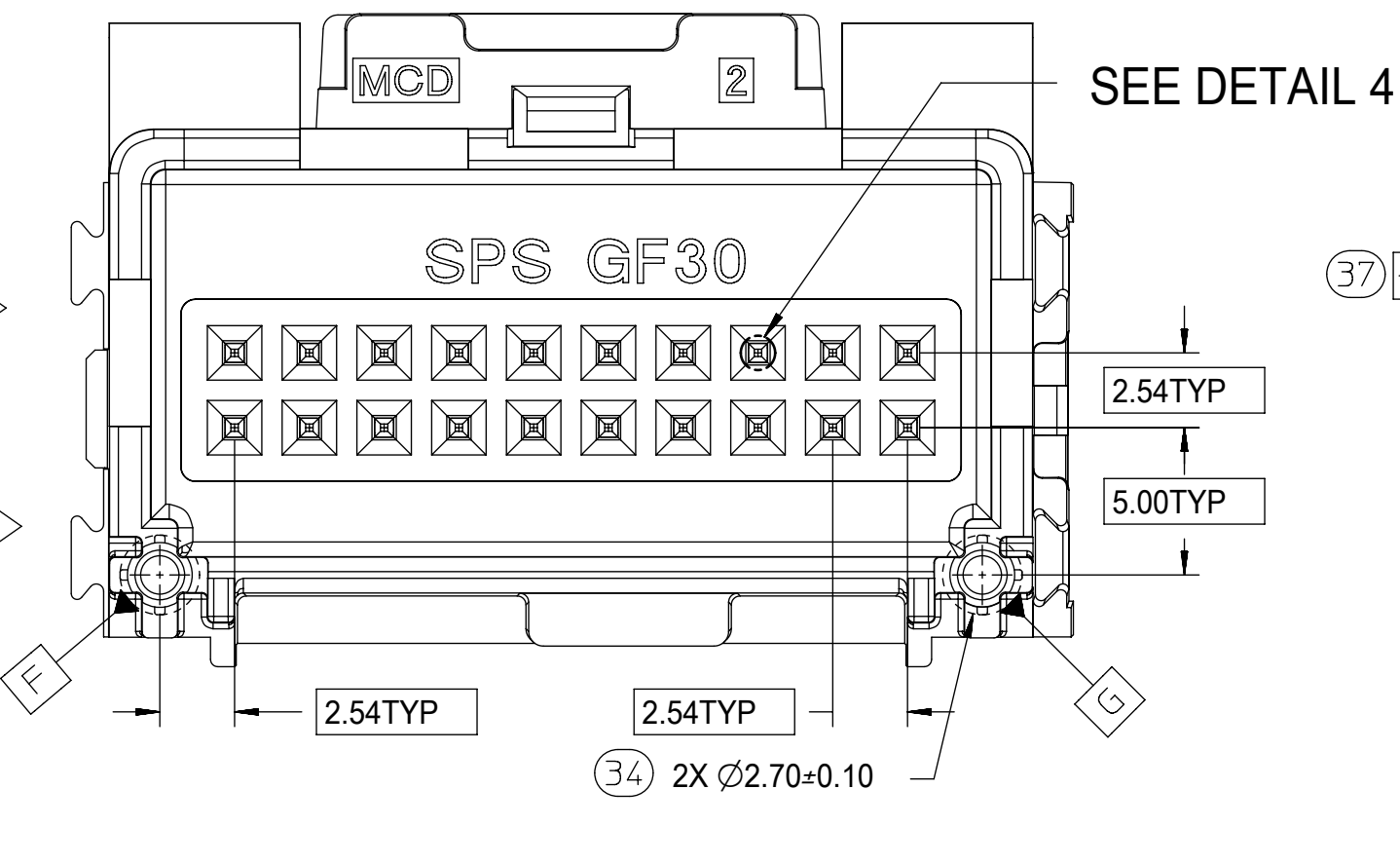
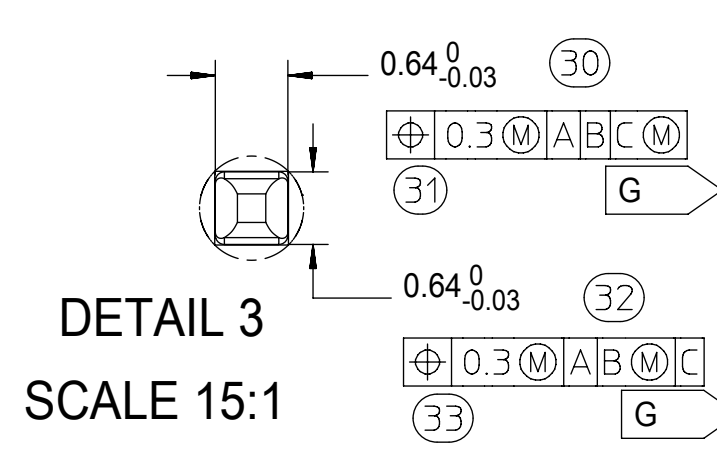
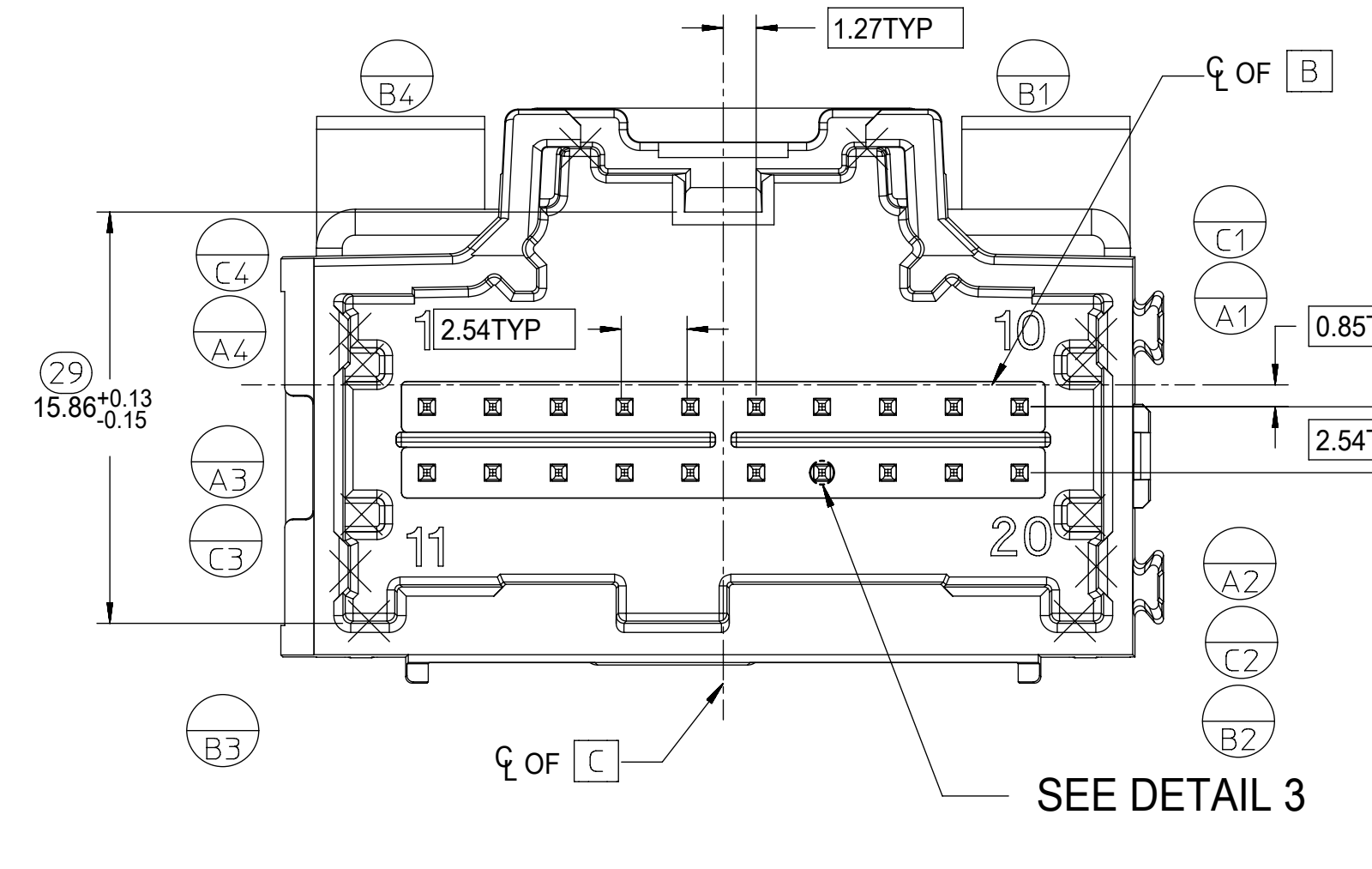
8-20CKT 0.64mm	18.40 MAX
10/14CKT Hybrid	18.59 MAX

SYMBOLS	THIS DRAWING CONTAINS INFORMATION THAT IS PROPRIETARY TO MOLEX ELECTRONIC TECHNOLOGIES, LLC AND SHOULD NOT BE USED WITHOUT WRITTEN PERMISSION		
	DIMENSION UNITS	SCALE	CURRENT REV DESC:
▽ = 0	mm	4:1	molex 3-BAY STAC64 VERTICAL HEADER ASSEMBLY SALES DRAWING PRODUCT CUSTOMER DRAWING
▽ = 0	GENERAL TOLERANCES (UNLESS SPECIFIED)		
▽ = 0	ANGULAR TOL ± 1.0°		
▽ = 0	4 PLACES	±	
▽ = 0	3 PLACES	±	
▽ = 0	2 PLACES	± 0.13	EC NO: 612618 DRWN: SHANDITHAVAL 2019/02/22 CHK'D: RBAUMAN 2019/02/23 APPR: RBAUMAN 2019/02/23
▽ = 0	1 PLACE	± 0.25	INITIAL REVISION: DRWN: JDUNAJ 2009/03/10 APPR: SMARCEAU 2009/03/11
▽ = 0	0 PLACES	±	DOCUMENT NUMBER: SD-34707-300 DOC TYPE: PSD DOC PART: 001 REVISION: K2
▽ = 0	DRAFT WHERE APPLICABLE MUST REMAIN WITHIN DIMENSIONS	THIRD ANGLE PROJECTION	MATERIAL NUMBER: SEE TABLE CUSTOMER: GENERAL MARKET SHEET NUMBER: 2 OF 4
▽ = 0		D-SIZE	SERIES: 34707 DRAWING: D-SIZE SCALE: 4:1

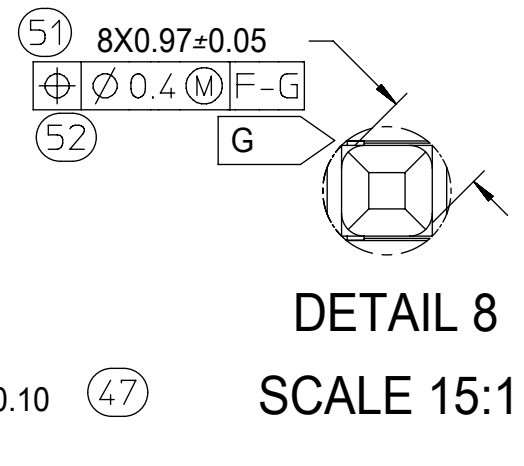
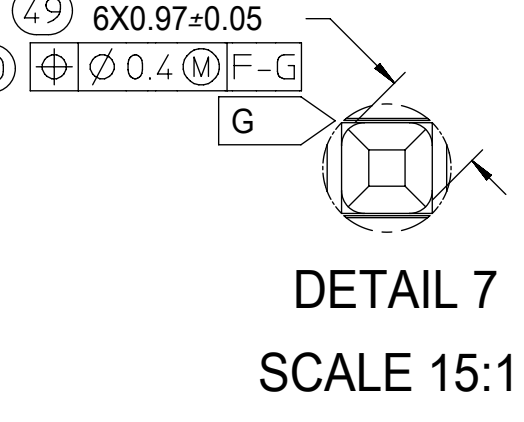
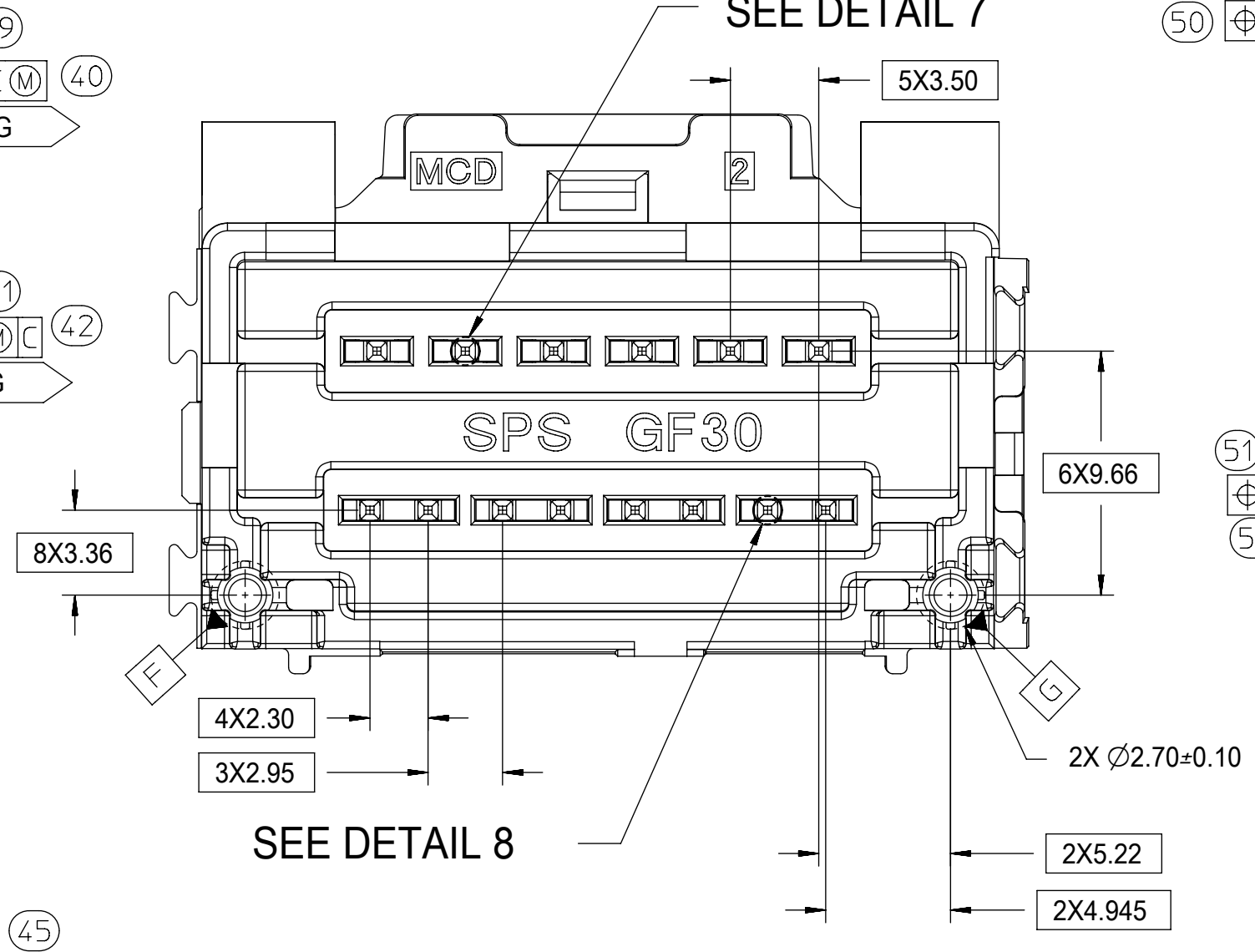
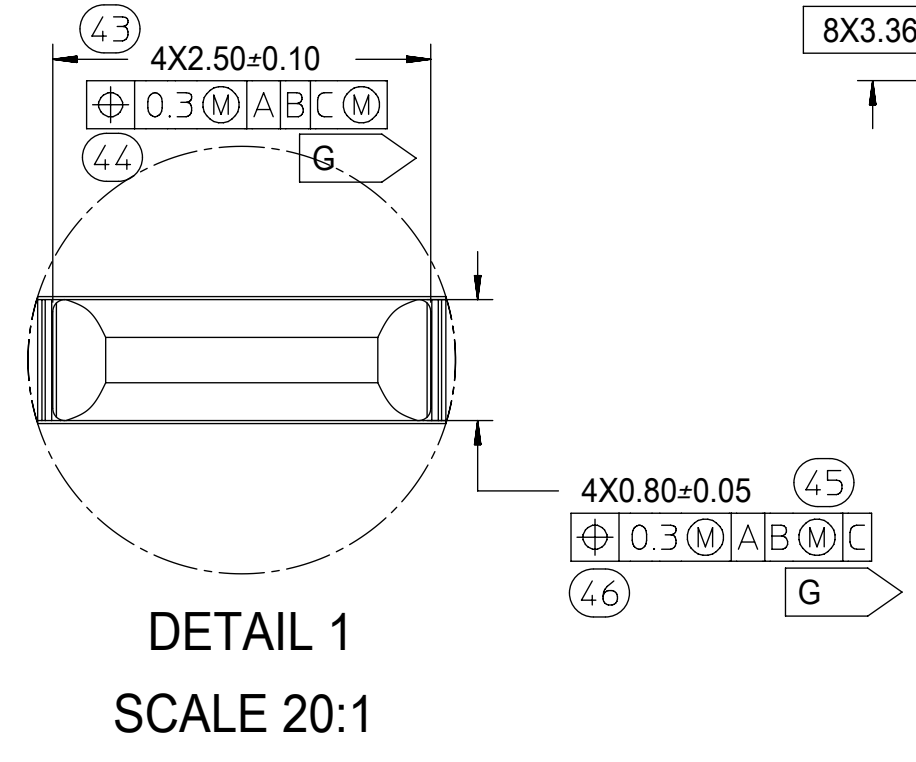
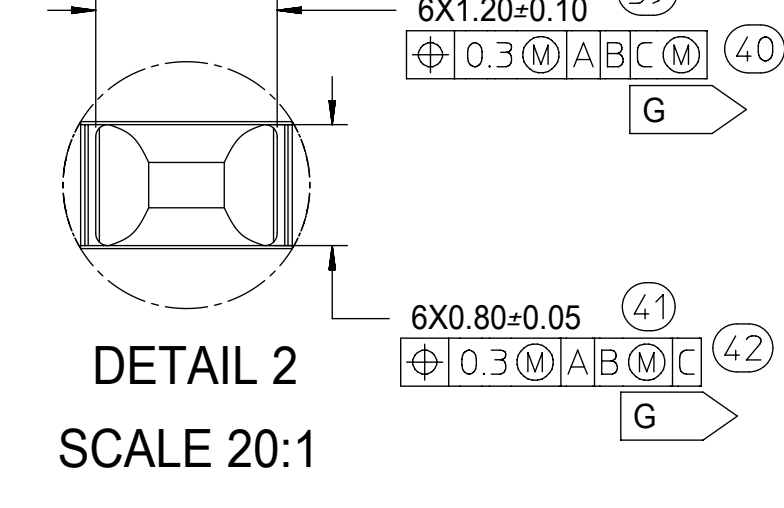
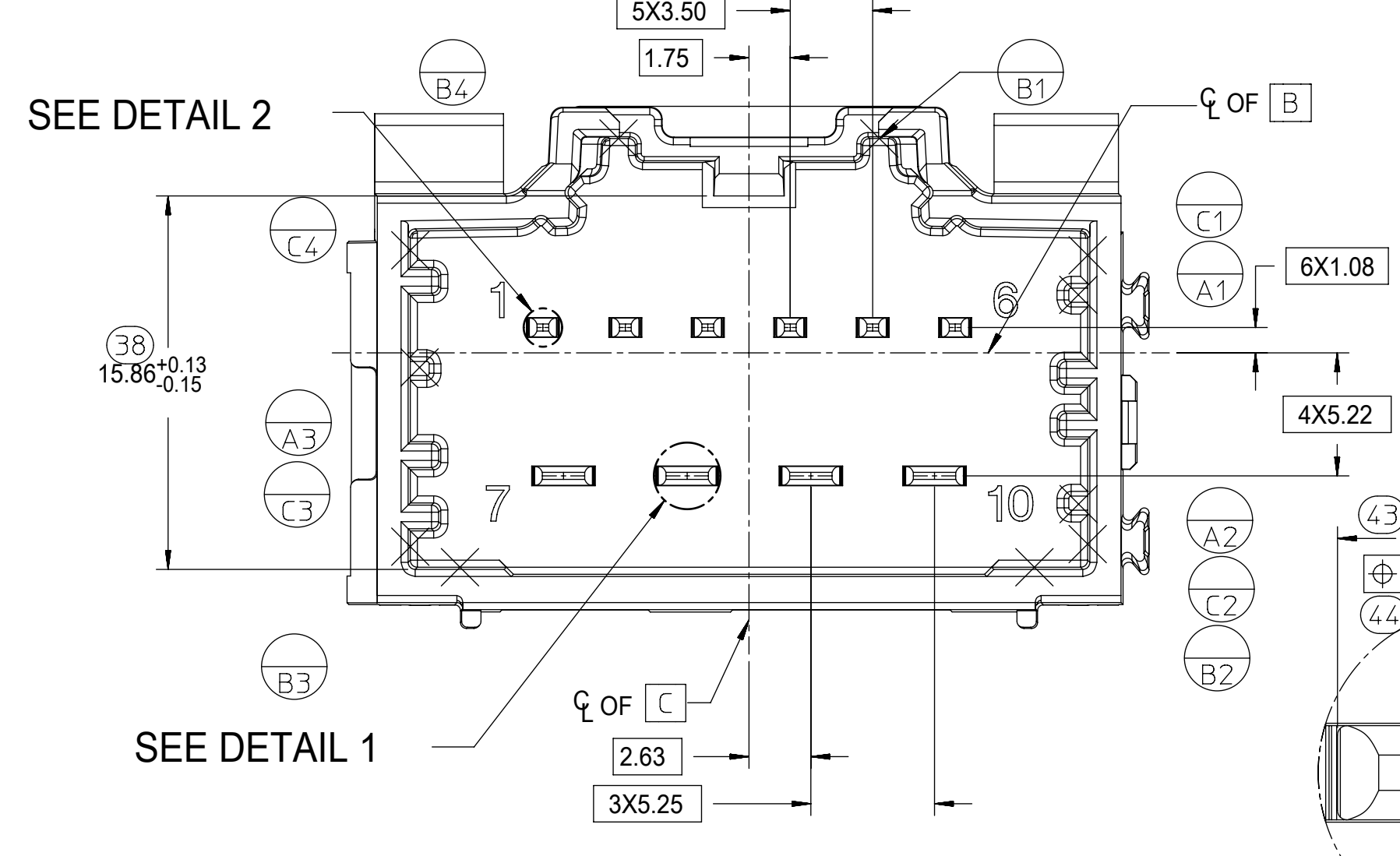
14CKT STAC HYBRID HEADER DETAILS



8-20CKT STAC 0.64mm HEADER DETAILS



10CKT STAC HYBRID HEADER DETAILS



SYMBOLS			THIS DRAWING CONTAINS INFORMATION THAT IS PROPRIETARY TO MOLEX ELECTRONIC TECHNOLOGIES, LLC AND SHOULD NOT BE USED WITHOUT WRITTEN PERMISSION		
▽ = 0	mm	SCALE	CURRENT REV DESC:		
▽ = 0	GENERAL TOLERANCES (UNLESS SPECIFIED)	4:1	EC NO: 612618		
▽ = 0	ANGULAR TOL ± 1.0°		DRWN: SHANDITHAVAL 2019/02/22		
▽ = 0	4 PLACES ±		CHK'D: RBAUMAN 2019/02/23		
▽ = 0	3 PLACES ±		APPR: RBAUMAN 2019/02/23		
▽ = 0	2 PLACES ± 0.13		INITIAL REVISION:		
▽ = 0	1 PLACE ± 0.25		DRWN: JDUNAJ 2009/03/10		
▽ = 0	0 PLACES ±		APPR: SMARCEAU 2009/03/11		
▽ = 0	DRAFT WHERE APPLICABLE MUST REMAIN WITHIN DIMENSIONS	THIRD ANGLE PROJECTION	DRAWING	SERIES	MATERIAL NUMBER
▽ = 0			D-SIZE	34707	SEE TABLE
			CUSTOMER		SHEET NUMBER
			GENERAL MARKET		3 OF 4
DOCUMENT STATUS	P1	RELEASE DATE	2019/02/23	23:32:58	

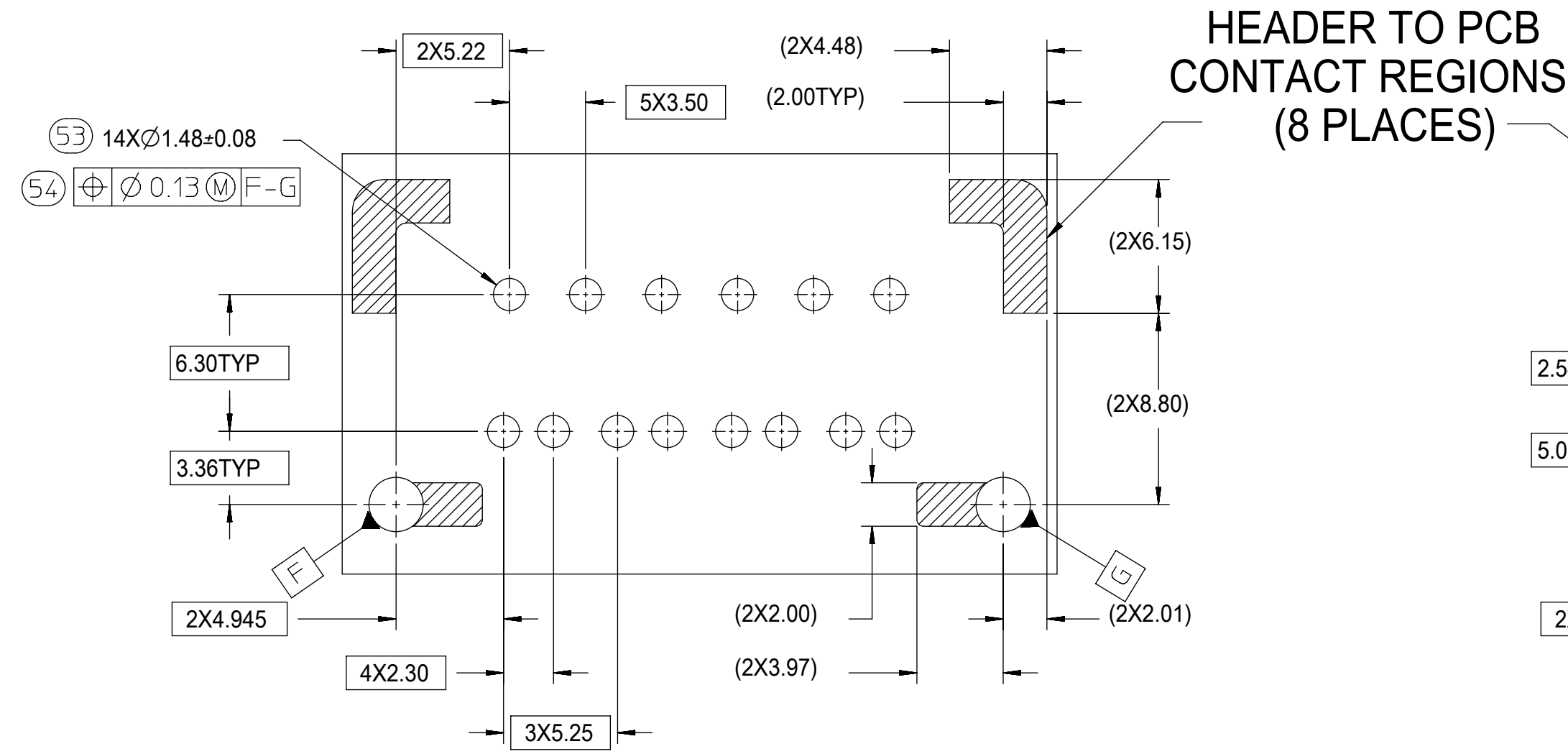
molex

3-BAY STAC64 VERTICAL HEADER ASSEMBLY SALES DRAWING

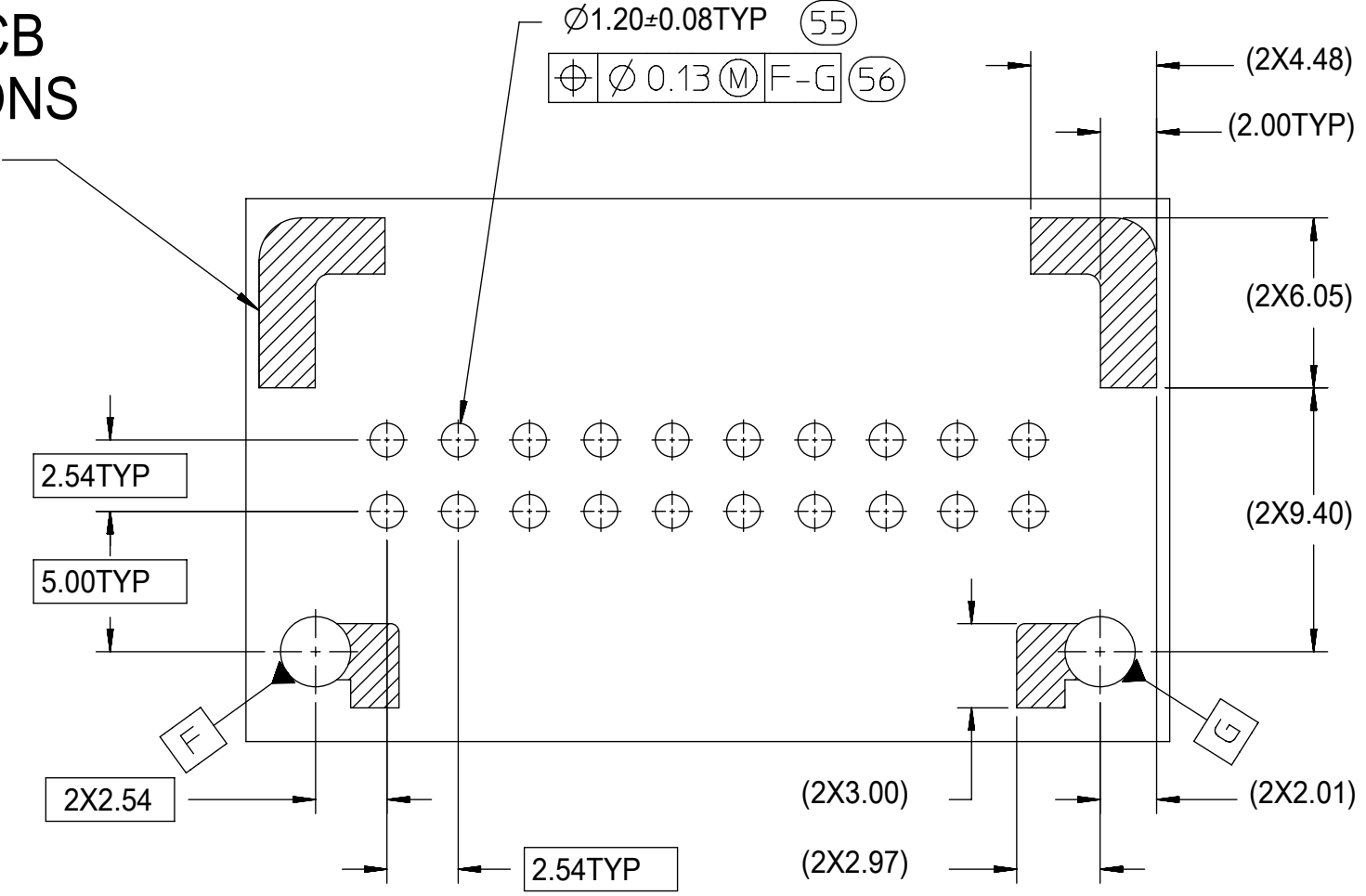
PRODUCT CUSTOMER DRAWING

DOCUMENT NUMBER: SD-34707-300
DOC TYPE: PSD
DOC PART: 001
REVISION: K2

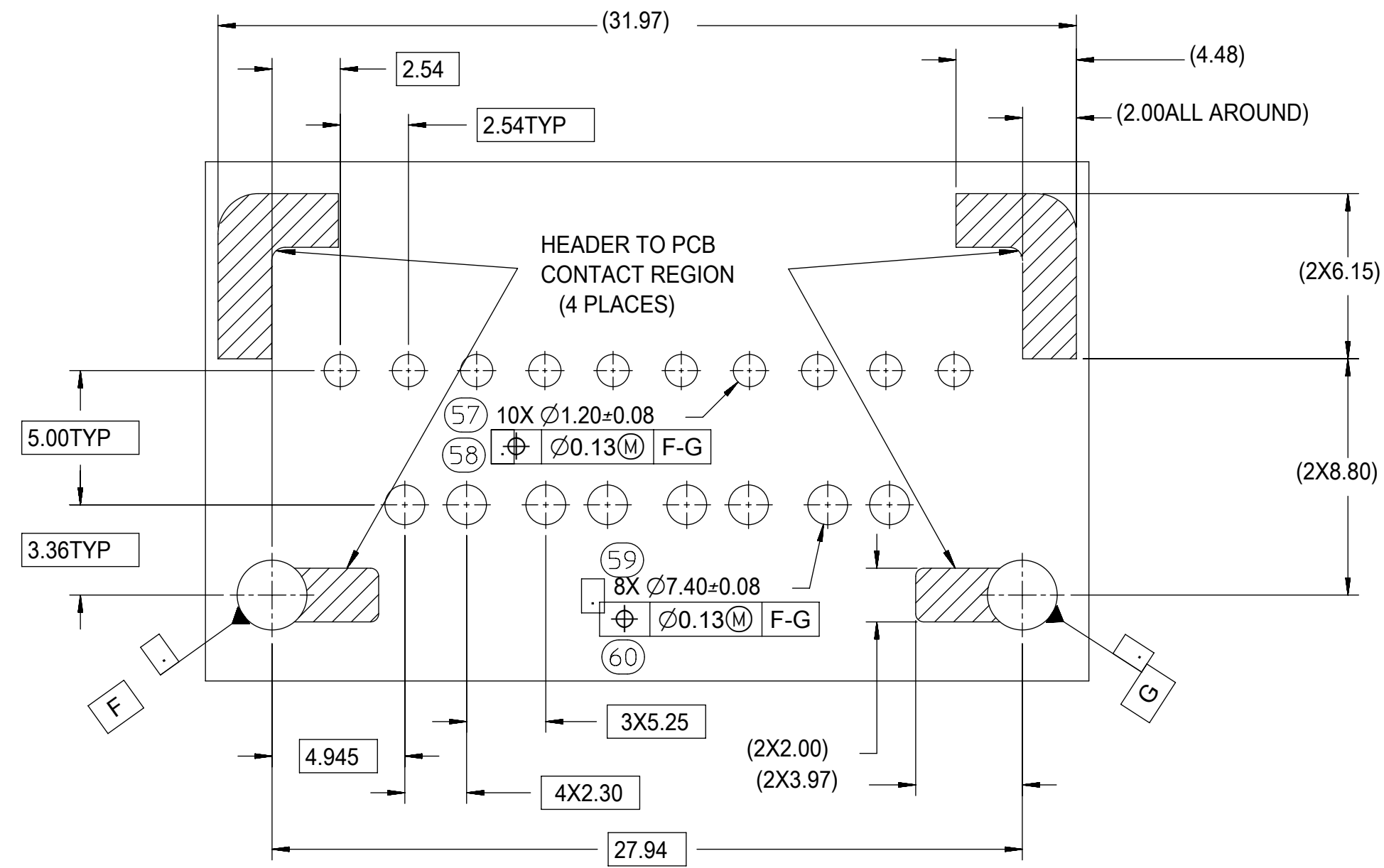
10 CKT HYBRID TEMPLATE
PCB LAYOUT



8-20 CKT 0.64mm TEMPLATE
PCB LAYOUT



14 CKT HYBRID TEMPLATE
PCB LAYOUT

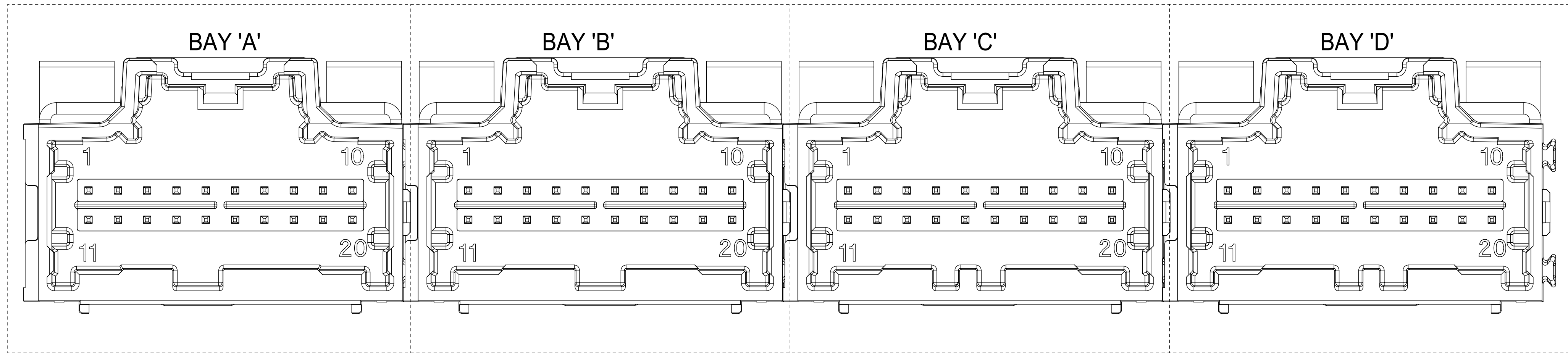


SYMBOLS	THIS DRAWING CONTAINS INFORMATION THAT IS PROPRIETARY TO MOLEX ELECTRONIC TECHNOLOGIES, LLC AND SHOULD NOT BE USED WITHOUT WRITTEN PERMISSION							
	DIMENSION UNITS	SCALE	CURRENT REV DESC:					
▽ = 0	mm	4:1	EC NO: 612618 DRWN: SHANDITHAVAL 2019/02/22 CHK'D: RBAUMAN 2019/02/23 APPR: RBAUMAN 2019/02/23 INITIAL REVISION: DRWN: JDUNAJ 2009/03/10 APPR: SMARCEAU 2009/03/11					
▽ = 0	GENERAL TOLERANCES (UNLESS SPECIFIED)							
▽ = 0	ANGULAR TOL ± 1.0°							
▽ = 0	4 PLACES ±							
▽ = 0	3 PLACES ±							
▽ = 0	2 PLACES ± 0.13							
▽ = 0	1 PLACE ± 0.25							
▽ = 0	0 PLACES ±							
■ = 0	DRAFT WHERE APPLICABLE	THIRD ANGLE PROJECTION	MATERIAL NUMBER SD-34707-300					
▽ = 0	MUST REMAIN WITHIN DIMENSIONS	DRAWING SERIES		CUSTOMER GENERAL MARKET				
DOCUMENT STATUS		P1	RELEASE DATE	2019/02/23 23:32:58	DOCUMENT NUMBER	DOC TYPE	DOC PART	REVISION
					SD-34707-300	PSD	001	K2
DOCUMENT NUMBER		CUSTOMER		SHEET NUMBER				
		D-SIZE 34707		SEE TABLE		4 OF 4		

DIMENSIONAL CHART FOR MULTIBAY CONFIGURATION:

PART NUMBER (TUBE PKG)	PART NUMBER (TRAY PKG)	BAY A			BAY B			BAY C			BAY D			DIM 'A'	DIM 'B'	DIM 'C'	DIM 'D'	DIM 'E'	DIM 'F'
		CKT	TYPE	POL	CKT	TYPE	POL	CKT	TYPE	POL	CKT	TYPE	POL						
34707-9000	34707-4000	20	0.64mm	A	20	0.64mm	B	20	0.64mm	C	20	0.64mm	D	132.74	130.27	27.94	27.94	27.94	27.94
TBD	34707-4010	12	0.64mm	A	20	0.64mm	A	8	0.64mm	A	16	0.64mm	A	102.26	99.79	17.78	27.94	12.70	22.86
TBD	34707-4020	20	0.64mm	D	20	0.64mm	C	20	0.64mm	B	20	0.64mm	A	132.74	130.27	27.94	27.94	27.94	27.94

4 BAY STAC64 VERTICAL HEADER ASSEMBLY
(P/N: 34707-4000 SHOWN)



NOTES: VALID UNLESS OTHERWISE SPECIFIED
1. GENERAL:

a. CONNECTOR HEADER MUST BE VALIDATED TO THE FOLLOWING FUNCTIONAL REQUIREMENTS:

PRODUCT SPECIFICATION:
8-20 CKT 0.64mm PRODUCT SPEC: PS-34729-020/PS-31408-100
10/14 CKT HYBRID PRODUCT SPEC: PS-31372-100

b. APPLICATION REQUIREMENTS (REFERENCE ONLY):

APPLICATION SPECIFICATION: AS-34729-020/AS-31408-100

c. PACKAGING SPECIFICATION PER MOLEX DRAWING PK-31300-892 (TRAY)
d. PACKAGING SPECIFICATION PER MOLEX DRAWING PK-31301-063 (TUBE)

2. DESIGN: MATERIALS:

a. SHROUD (PLASTIC HOUSING):
RESIN - SPS 30%GF

b. 0.64mm PINS:
BASE MATERIAL: C26000
PLATING TYPE: AS NOTED

1.50/2.80mm BLADES:
BASE MATERIAL: C19400
PLATING TYPE: AS NOTED

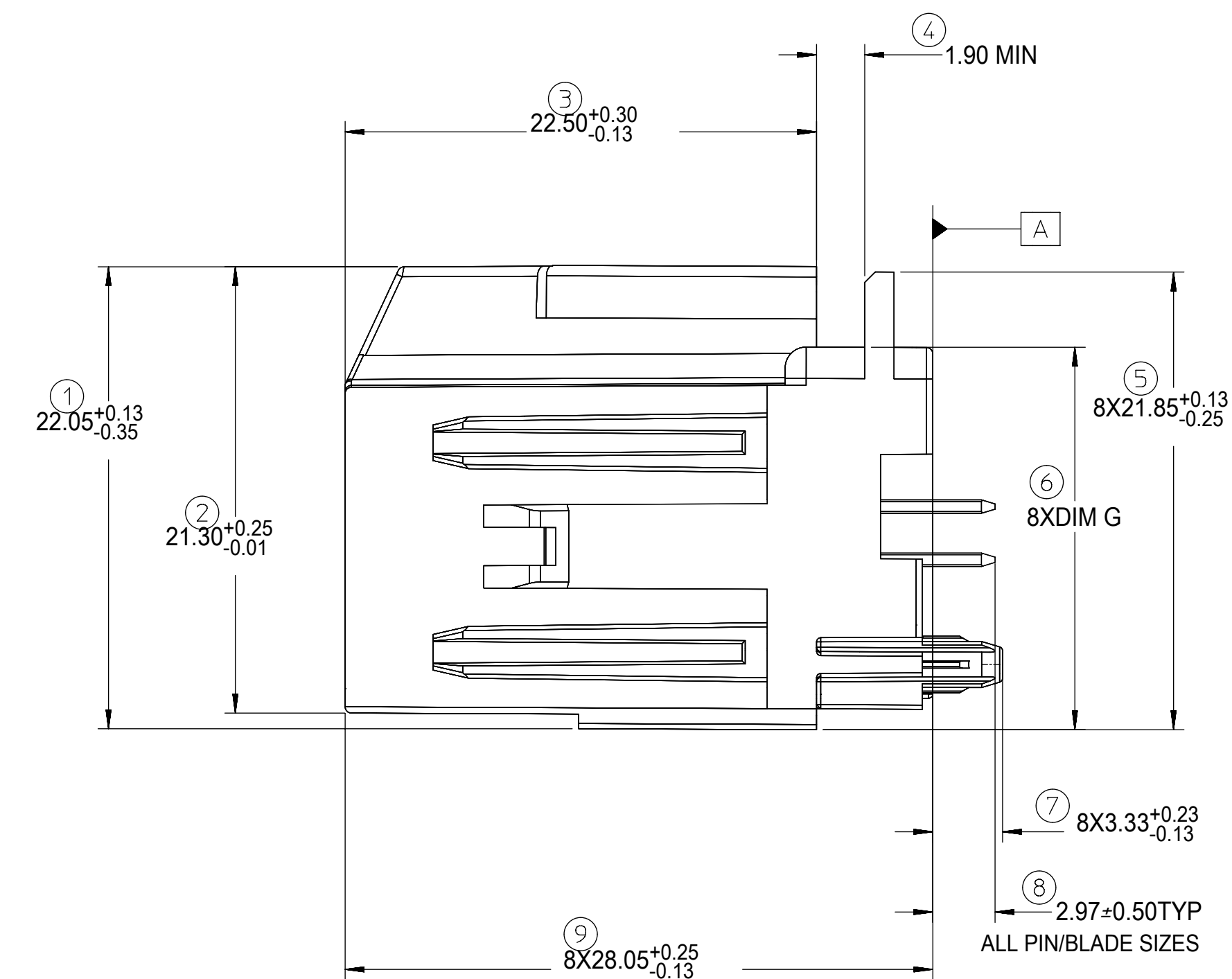
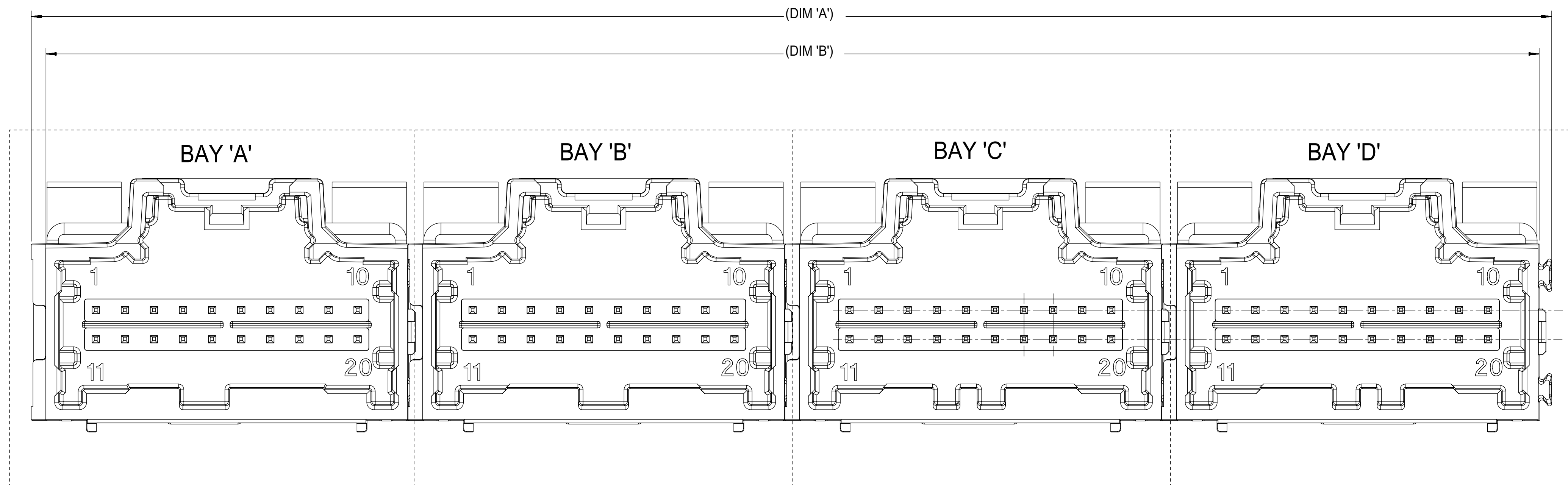
3. PLATING REQUIREMENTS:

a. UNDERPLATING - OVERALL NICKEL

b. OVERPLATING - OVERALL TIN

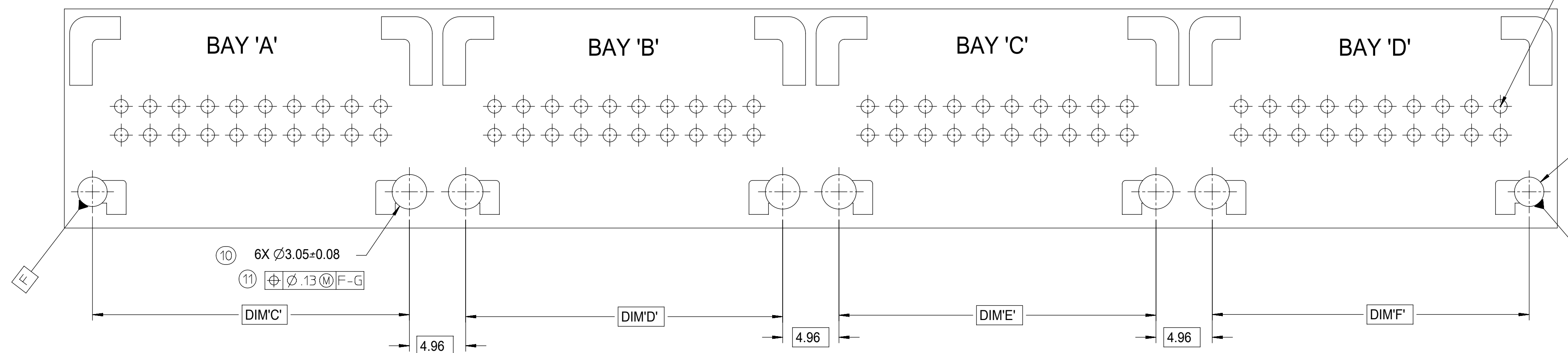
4. FOR DESCRIPTION OF INDIVIDUAL BAYS, REFER TO THE FOLLOWING
SINGLE BAY DRAWINGS:
8-20 CKT 0.64: SD-34690-100
10 CKT HYBRID: SD-34695-100
14 CKT HYBRID: SD-34772-200

SYMBOLS	THIS DRAWING CONTAINS INFORMATION THAT IS PROPRIETARY TO MOLEX ELECTRONIC TECHNOLOGIES, LLC AND SHOULD NOT BE USED WITHOUT WRITTEN PERMISSION		CURRENT REV DESC:		
	DIMENSION UNITS	SCALE			
▽ = 0	mm	4:1			4-BAY STAC64 VERTICAL HEADER ASSEMBLY SALES DRAWING
▽ = 0	GENERAL TOLERANCES (UNLESS SPECIFIED)				
▽ = 0	ANGULAR TOL ± 3.0°		EC NO: 612618		PRODUCT CUSTOMER DRAWING
▽ = 0	4 PLACES ±		DRWN: SHANDITHAVAL 2019/02/22		
▽ = 0	3 PLACES ±		CHK'D: RBAUMAN 2019/02/23		DOCUMENT NUMBER SD-34707-400
▽ = 0	2 PLACES ± 0.13		APPR: RBAUMAN 2019/02/23		
▽ = 0	1 PLACE ± 0.25		INITIAL REVISION:		DOC TYPE
▽ = 0	0 PLACES ±		DRWN: VDANIELE 2008/11/14		DOC PART
▽ = 0	DRAFT WHERE APPLICABLE MUST REMAIN WITHIN DIMENSIONS		APPR: SMARCEAU 2008/11/14		REVISION
▽ = 0	THIRD ANGLE PROJECTION		DRAWING SERIES		PSD
	D-SIZE		34707		001
	SEE TABLE		GENERAL MARKET		D9
	SHEET NUMBER		1 OF 4		



FOR DIM G:	
8-20CKT 0.64mm	18.40 MAX
10/14CKT Hybrid	18.59 MAX

RECOMMENDED PCB LAYOUT
INSERT NECESSARY BAY'S USING THE CHART ON SHEET 1



FOR HOLE LOCATION REFER TO TEMPLATES ON SHEET 4

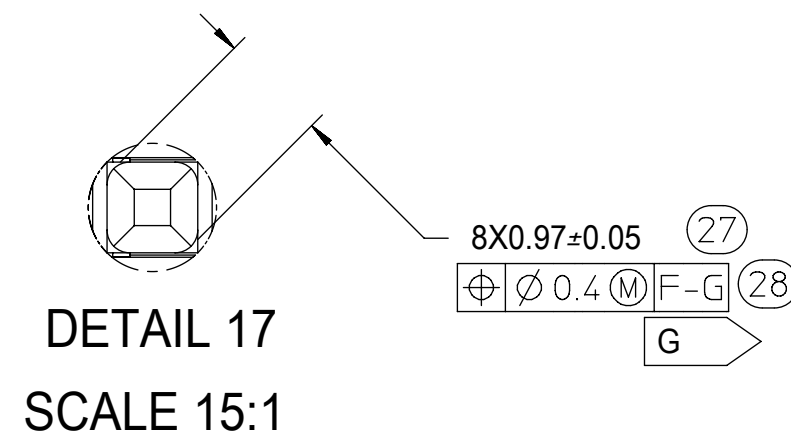
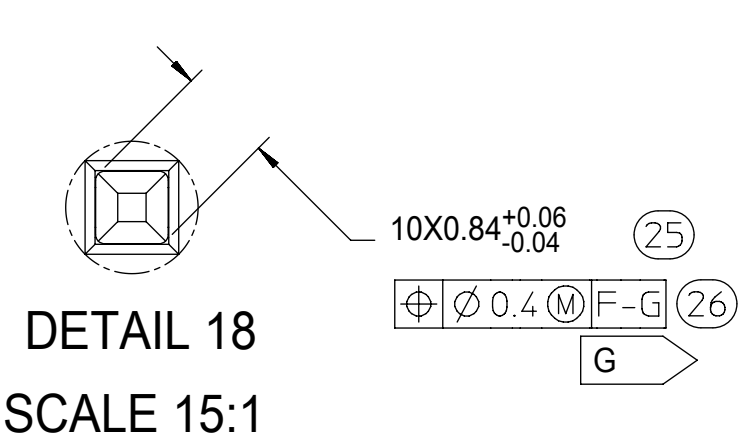
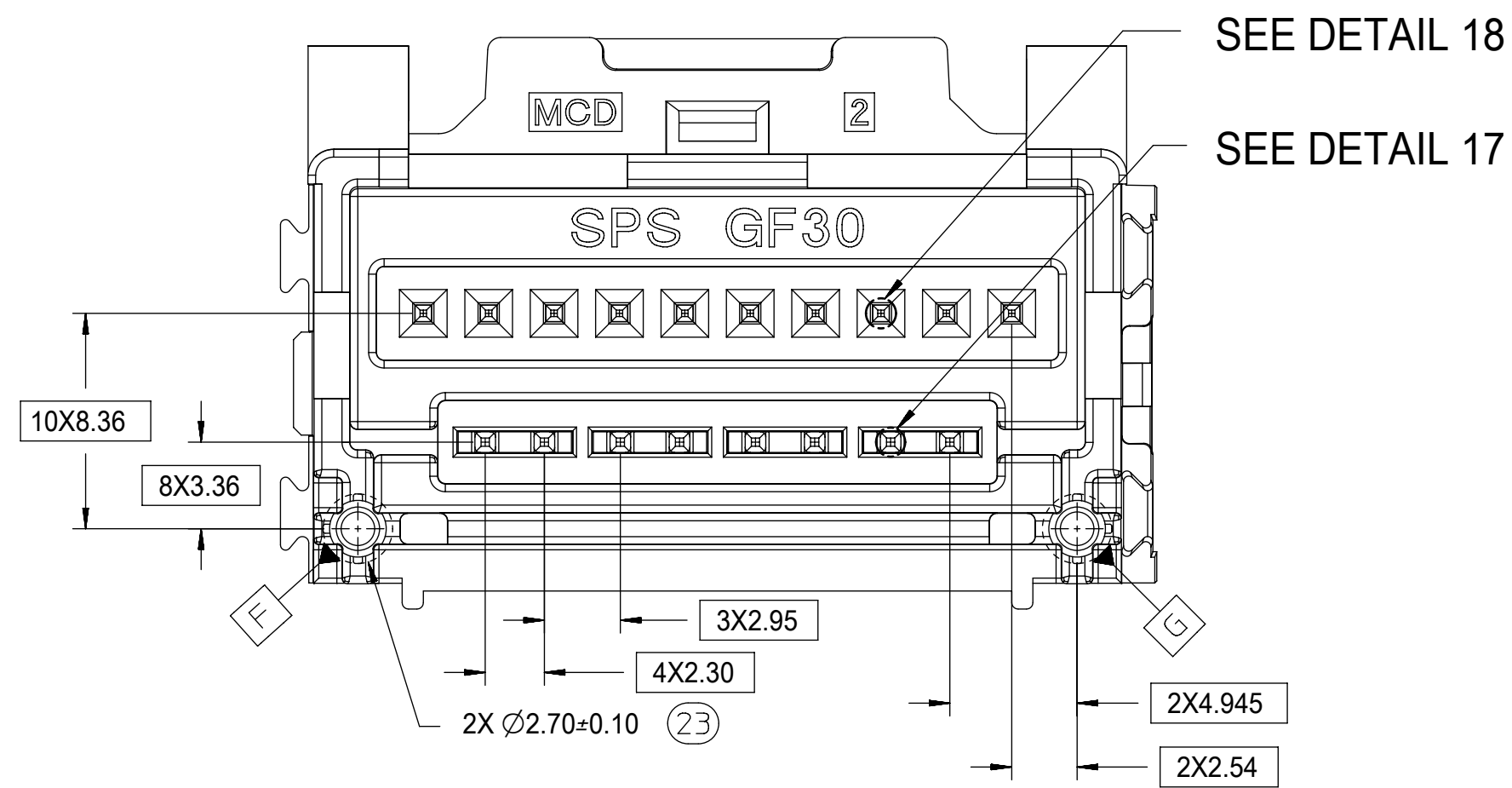
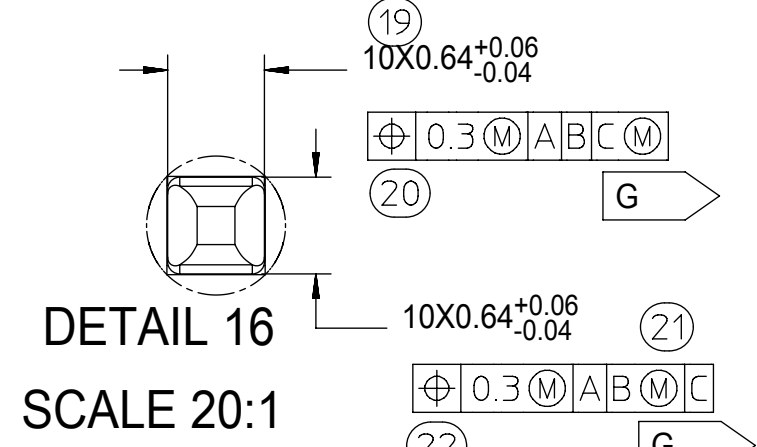
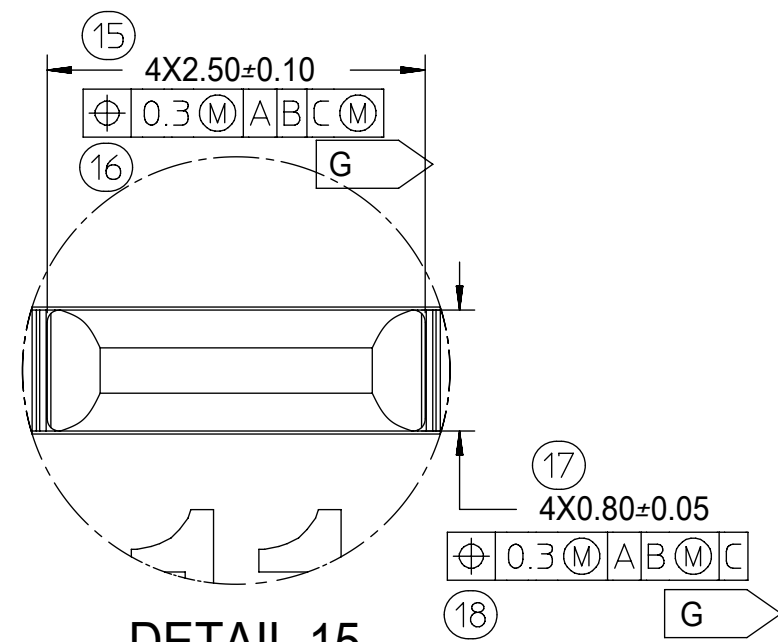
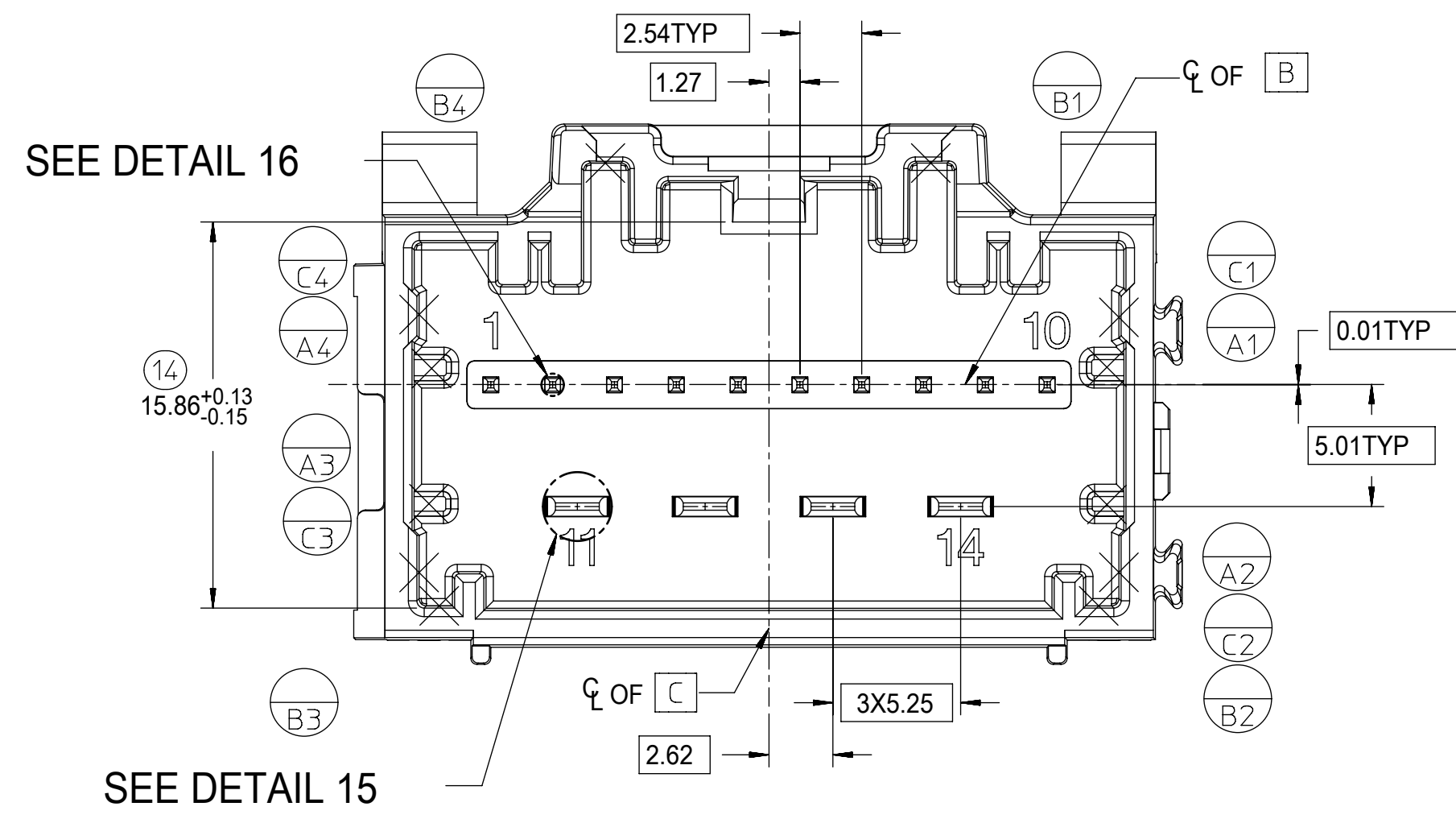
2X $\varnothing Z \pm 0.08$ (12)
 $\varnothing .13$ (M) (F) (13)

POST HOLE TABLE

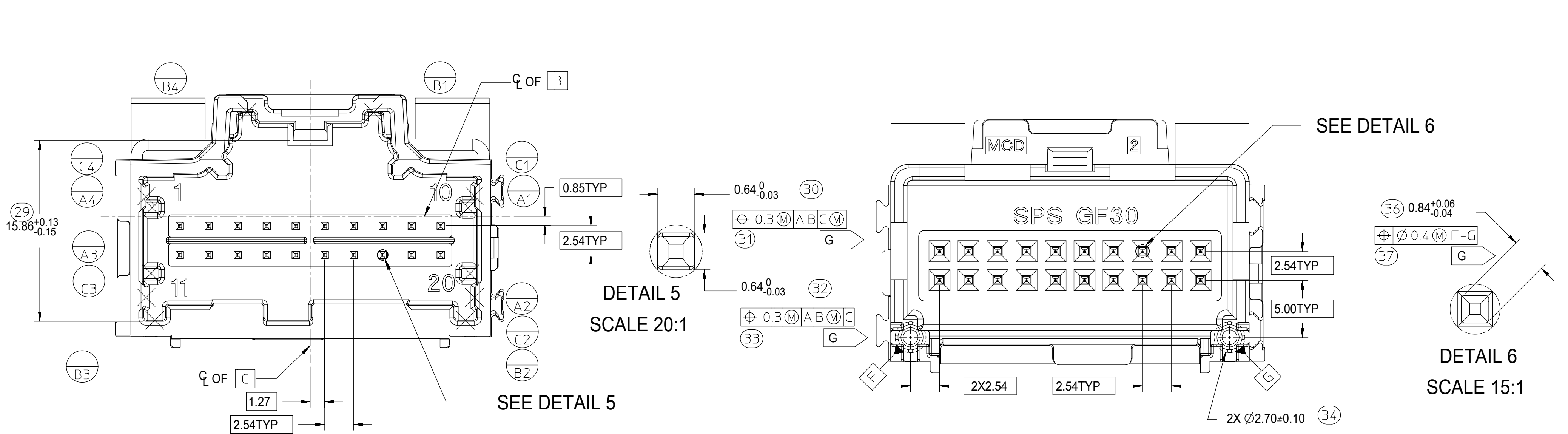
FOR DIM Z:	
PRESS FIT	2.60
DROP IN	3.05

SYMBOLS	THIS DRAWING CONTAINS INFORMATION THAT IS PROPRIETARY TO MOLEX ELECTRONIC TECHNOLOGIES, LLC AND SHOULD NOT BE USED WITHOUT WRITTEN PERMISSION		CURRENT REV DESC:		molex	
	DIMENSION UNITS	SCALE				
$\nabla = 0$	mm	4:1			4-BAY STAC64 VERTICAL HEADER ASSEMBLY SALES DRAWING	
$\nabla = 0$	GENERAL TOLERANCES (UNLESS SPECIFIED)					
$\nabla = 0$	ANGULAR TOL $\pm 3.0^\circ$		EC NO: 612618		PRODUCT CUSTOMER DRAWING	
$\nabla = 0$	4 PLACES \pm		DRWN: SHANDITHAVAL 2019/02/22			
$\nabla = 0$	3 PLACES \pm		CHK'D: RBAUMAN 2019/02/23		DOCUMENT NUMBER: SD-34707-400 DOC TYPE: PSD DOC PART: 001 REVISION: D9	
$\nabla = 0$	2 PLACES ± 0.13		APPR: RBAUMAN 2019/02/23			
$\nabla = 0$	1 PLACE ± 0.25		INITIAL REVISION:		MATERIAL NUMBER: SEE TABLE CUSTOMER: GENERAL MARKET SHEET NUMBER: 2 OF 4	
$\nabla = 0$	0 PLACES \pm		DRWN: VDANIELE 2008/11/14			
$\nabla = 0$	DRAFT WHERE APPLICABLE MUST REMAIN WITHIN DIMENSIONS		APPR: SMARCEAU 2008/11/14			
$\nabla = 0$	THIRD ANGLE PROJECTION		DRAWING: D-SIZE SERIES: 34707			

14KCT STAC HYBRID HEADER DETAILS



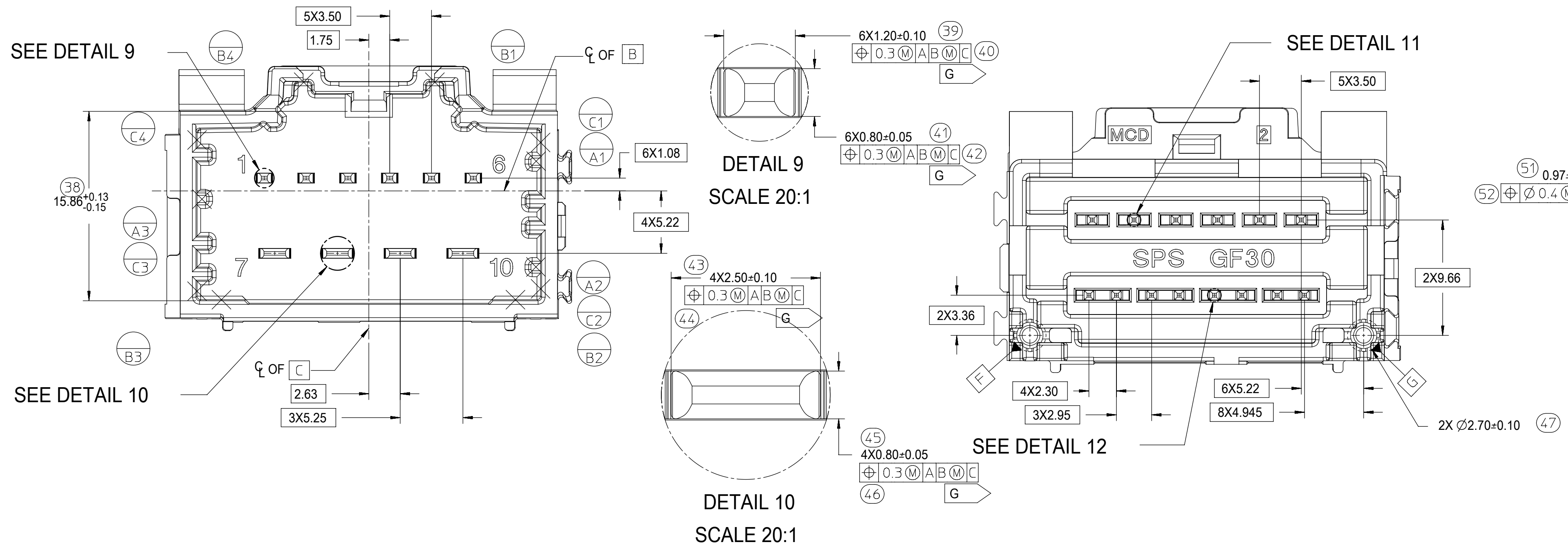
8-20KCT STAC 0.64mm HEADER DETAILS



DETAIL 5
SCALE 20:1

DETAIL 6
SCALE 15:1

10KCT STAC HYBRID HEADER DETAILS



DETAIL 9
SCALE 20:1

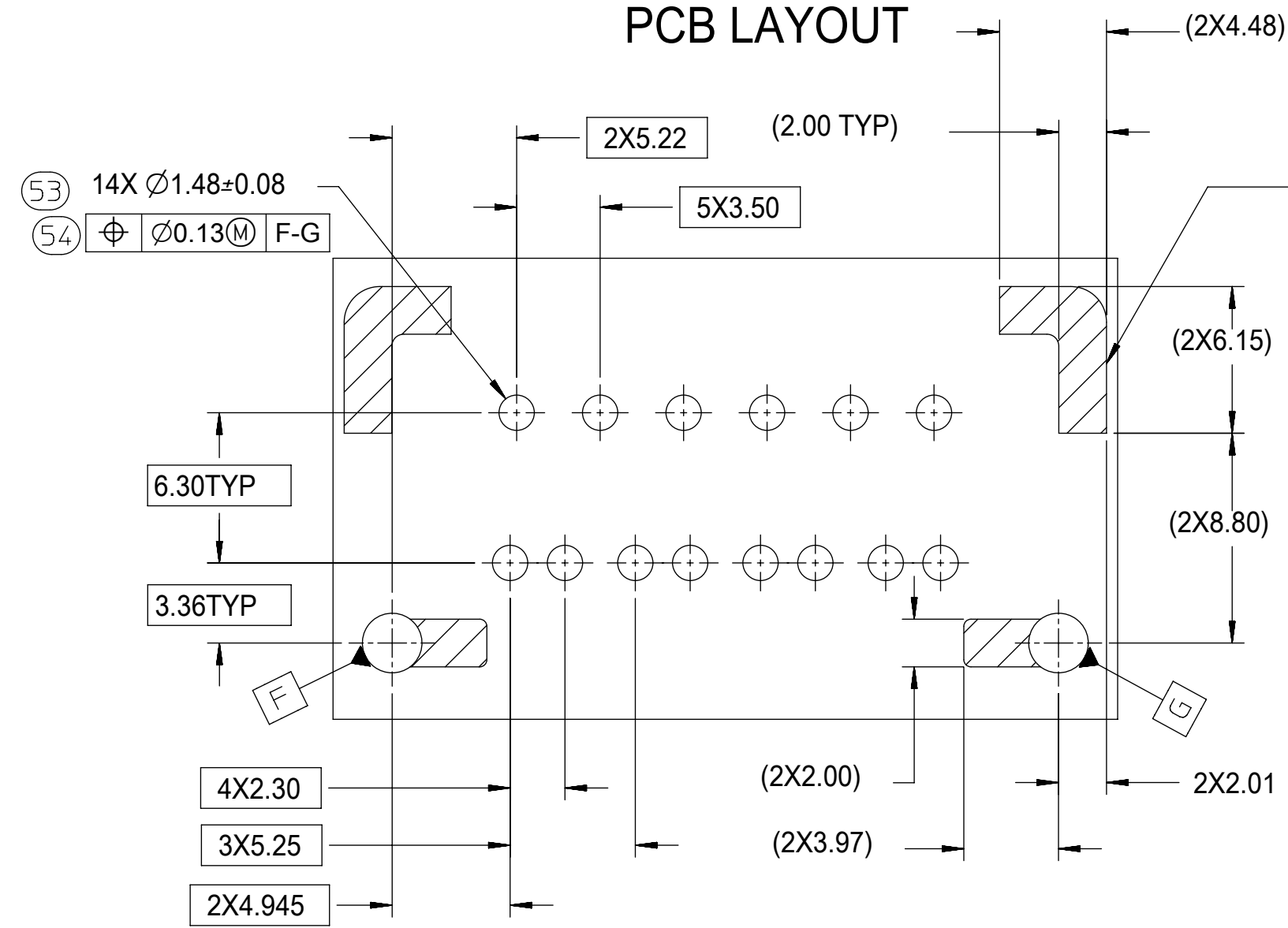
DETAIL 11
SCALE 15:1

DETAIL 10
SCALE 20:1

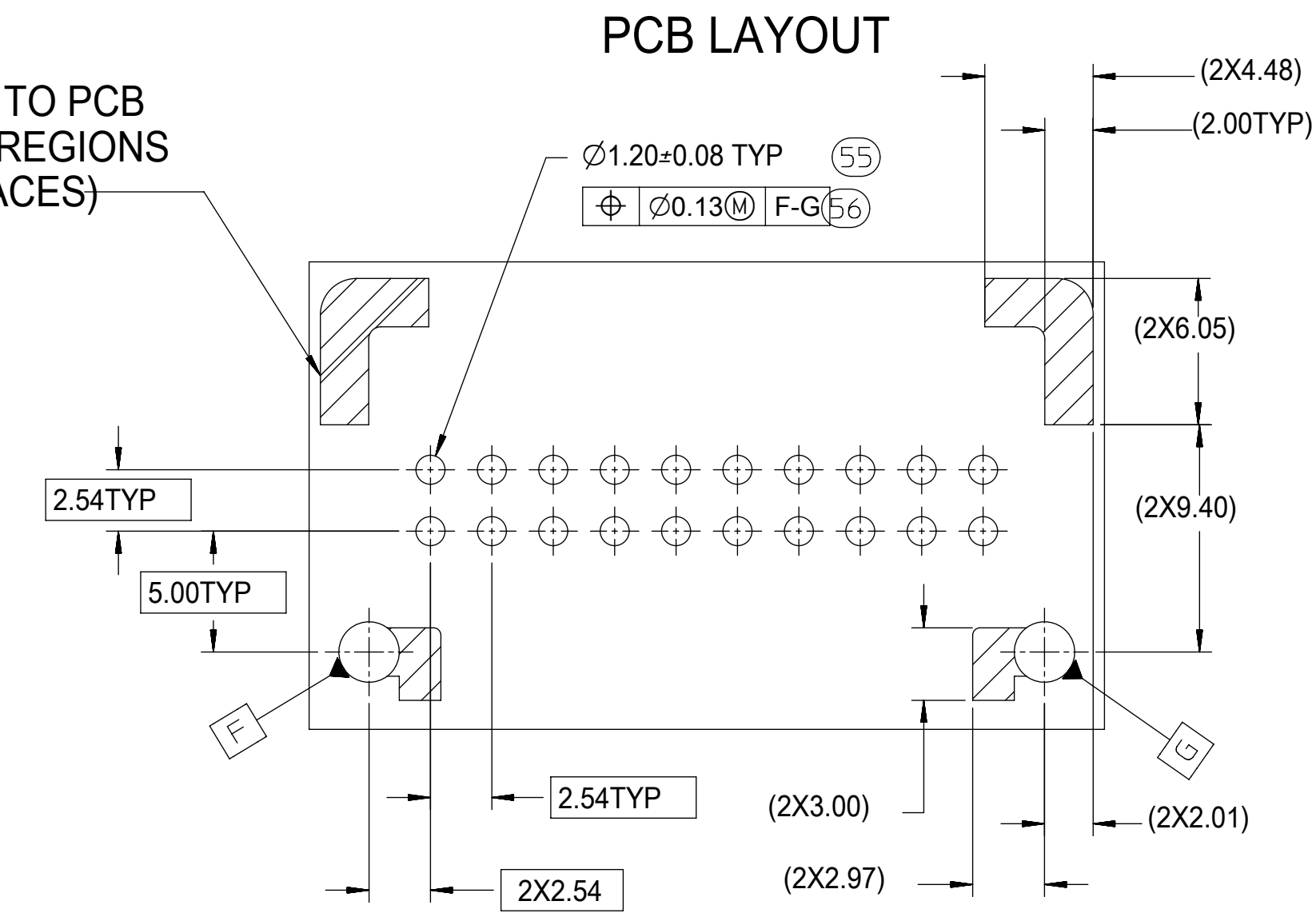
DETAIL 12
SCALE 15:1

SYMBOLS	THIS DRAWING CONTAINS INFORMATION THAT IS PROPRIETARY TO MOLEX ELECTRONIC TECHNOLOGIES, LLC AND SHOULD NOT BE USED WITHOUT WRITTEN PERMISSION		
	DIMENSION UNITS	SCALE	CURRENT REV DESC:
▽ = 0	mm	4:1	
▽ = 0	GENERAL TOLERANCES (UNLESS SPECIFIED)		
▽ = 0	ANGULAR TOL ± 3.0°		
▽ = 0	4 PLACES	±	EC NO: 612618
▽ = 0	3 PLACES	±	DRWN: SHANDITHAVAL 2019/02/22
▽ = 0	2 PLACES	± 0.13	CHK'D: RBAUMAN 2019/02/23
▽ = 0	1 PLACE	± 0.25	APPR: RBAUMAN 2019/02/23
▽ = 0	0 PLACES	±	INITIAL REVISION:
⊠ = 0	DRAFT WHERE APPLICABLE MUST REMAIN WITHIN DIMENSIONS		
▽ = 0	THIRD ANGLE PROJECTION		DRWN: VDANIELE 2008/11/14
	DRAWING		APPR: SMARCEAU 2008/11/14
	SERIES		
	D-SIZE		
	34707		
DOCUMENT STATUS		P1	RELEASE DATE
P1			2019/02/23 23:32:59
DOCUMENT NUMBER		DOC TYPE	DOC PART
SD-34707-400		PSD	001
CUSTOMER		REVISION	
GENERAL MARKET		D9	
MATERIAL NUMBER		SHEET NUMBER	
SEE TABLE		3 OF 4	

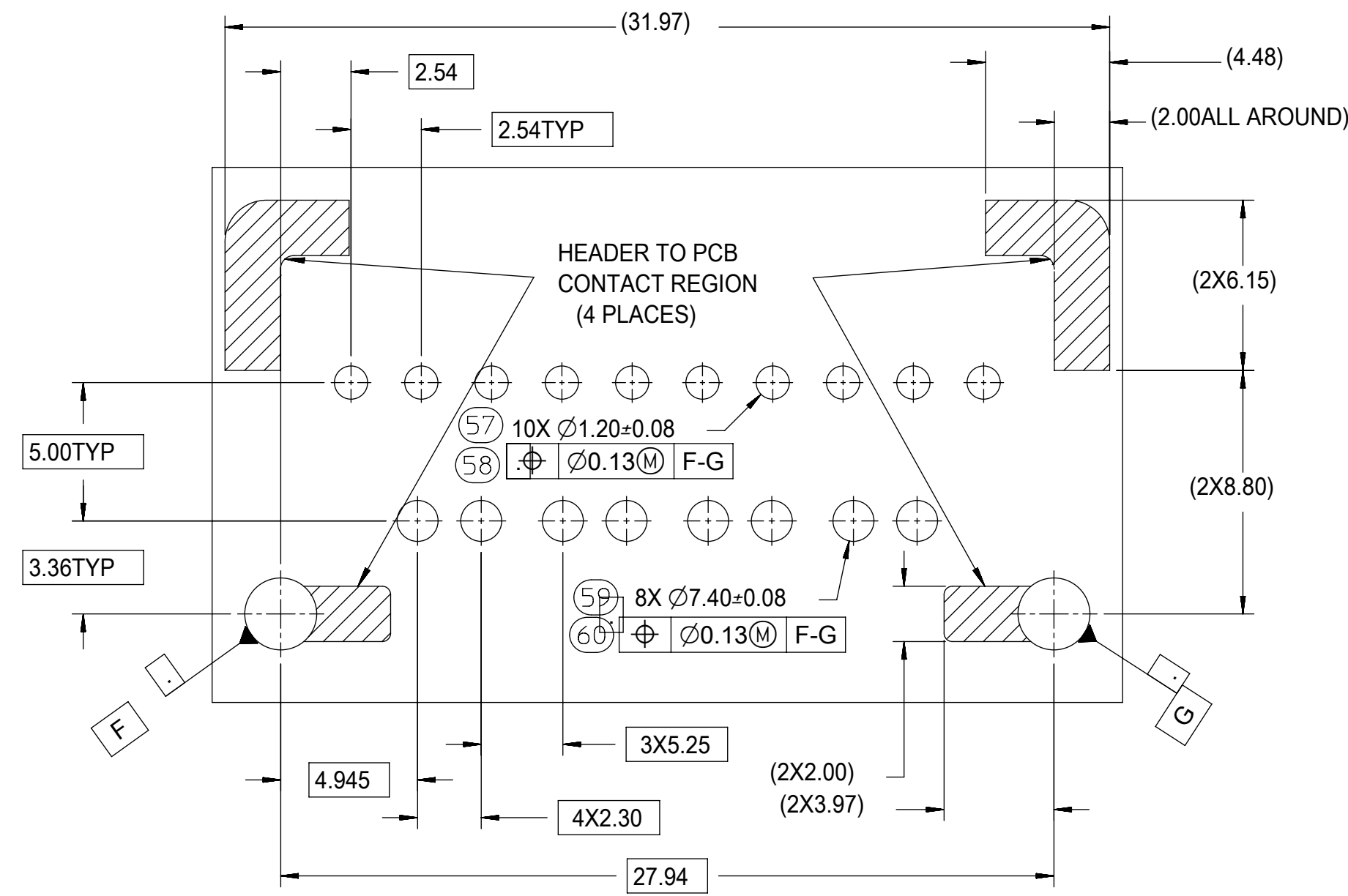
10 CKT HYBRID TEMPLATE
PCB LAYOUT



8-20 CKT 0.64mm TEMPLATE
PCB LAYOUT



14 CKT HYBRID TEMPLATE
PCB LAYOUT



SYMBOLS	THIS DRAWING CONTAINS INFORMATION THAT IS PROPRIETARY TO MOLEX ELECTRONIC TECHNOLOGIES, LLC AND SHOULD NOT BE USED WITHOUT WRITTEN PERMISSION		
	DIMENSION UNITS	SCALE	CURRENT REV DESC:
▽ = 0	mm	4:1	molex 4-BAY STAC64 VERTICAL HEADER ASSEMBLY SALES DRAWING PRODUCT CUSTOMER DRAWING
▽ = 0	GENERAL TOLERANCES (UNLESS SPECIFIED)		
▽ = 0	ANGULAR TOL ± 3.0°		
▽ = 0	4 PLACES ±		
▽ = 0	3 PLACES ±		
▽ = 0	2 PLACES ± 0.13		EC NO: 612618 DRWN: SHANDITHAVAL 2019/02/22 CHK'D: RBAUMAN 2019/02/23 APPR: RBAUMAN 2019/02/23
▽ = 0	1 PLACE ± 0.25		
▽ = 0	0 PLACES ±		INITIAL REVISION: DRWN: VDANIELE 2008/11/14 APPR: SMARCEAU 2008/11/14
⊠ = 0	DRAFT WHERE APPLICABLE	THIRD ANGLE PROJECTION	DOCUMENT NUMBER SD-34707-400
■ = 0	MUST REMAIN WITHIN DIMENSIONS	D-DRAWING	
▽ = 0		D-SIZE	DOC PART 001
		SERIES 34707	REVISION D9
		MATERIAL NUMBER SEE TABLE	CUSTOMER GENERAL MARKET
		SHEET NUMBER 4 OF 4	