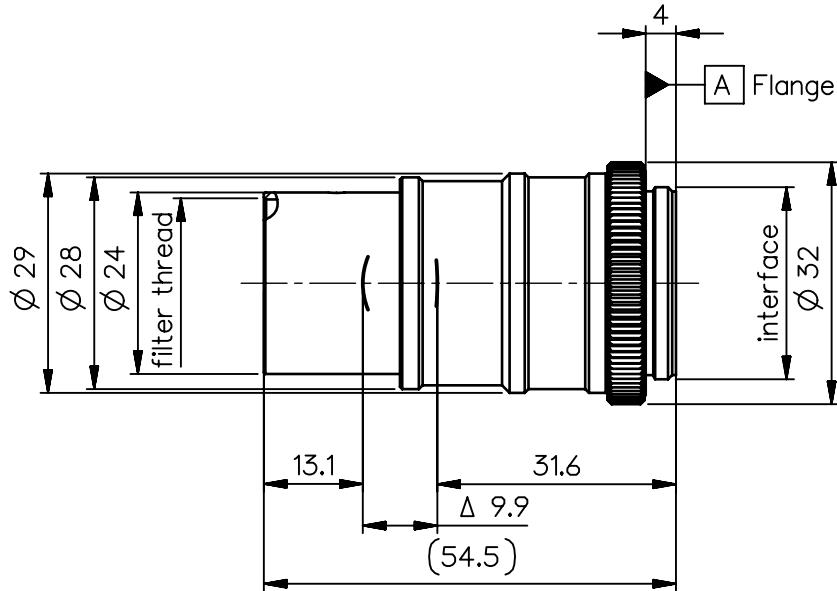


order number	lens name	f-stop
0009-191-000-40	Macro-CCD-Lens -0.5x 5.6	5.6
0009-191-000-41	Macro-CCD-Lens -0.5x 8	8

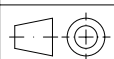


<b>Specification</b>		ON	
image circle max. (mm)	11	working distance (mm)	90
focal length f' (mm)	35.1	interface	C-mount
magnification β' [range]	-0.5	filter thread	M22.5 x0.5
spectral range λ (nm)	400 - 750	weight (g)	55
schematic diagram <span style="float:right">*) in air</span> 		design includes CCD cover glass: no	
		SF (mm)	-33.3
		S'F' (mm) *)	27.7
		HH' (mm) *)	0.7
		SH (mm)	1.8
		S'H' (mm) *)	-7.4
		SEnP (mm)	
		S'Exp (mm) *)	
		f-stop	
		Ø EnP	
		Ø Exp	

PROTECTIVE NOTE "DIN ISO 16016" TO BE OBSERVED	EU-D		AL-T1A		US-D		US-ML		not export controlled		
	REV		ECC		DATE		APPROVED		GENERAL TOLERANCE OF DIMENSION, FORM, POS.		
	a		neu						SCALE		
	b		08-0281		24.11.08		Strozew		MATERIAL		
	c		11-0358		20.07.11		Kuehne		TITLE		
	d		14-0184		21.08.14		Schiffe		<b>Macro-CCD-Lens 0.5x</b>		
e		14-0184		17.08.15		Hornbog					
f		17-0915		05.12.17		Denk					
						FIRST		DATE		NAME	
						ISSUE		21.08.14		Schifferer	
						CHKD		21.08.14		Stauder	
										DRAWING NO.	
										0009-191-100-00-0001f	
										SHEET 1	
										OF 1	
										REPLACES	

DIN A 4

ALL DIMENSIONS ARE IN MM AND INCLUDE SURFACE TREATMENT



0009-191-100-00-0001f