
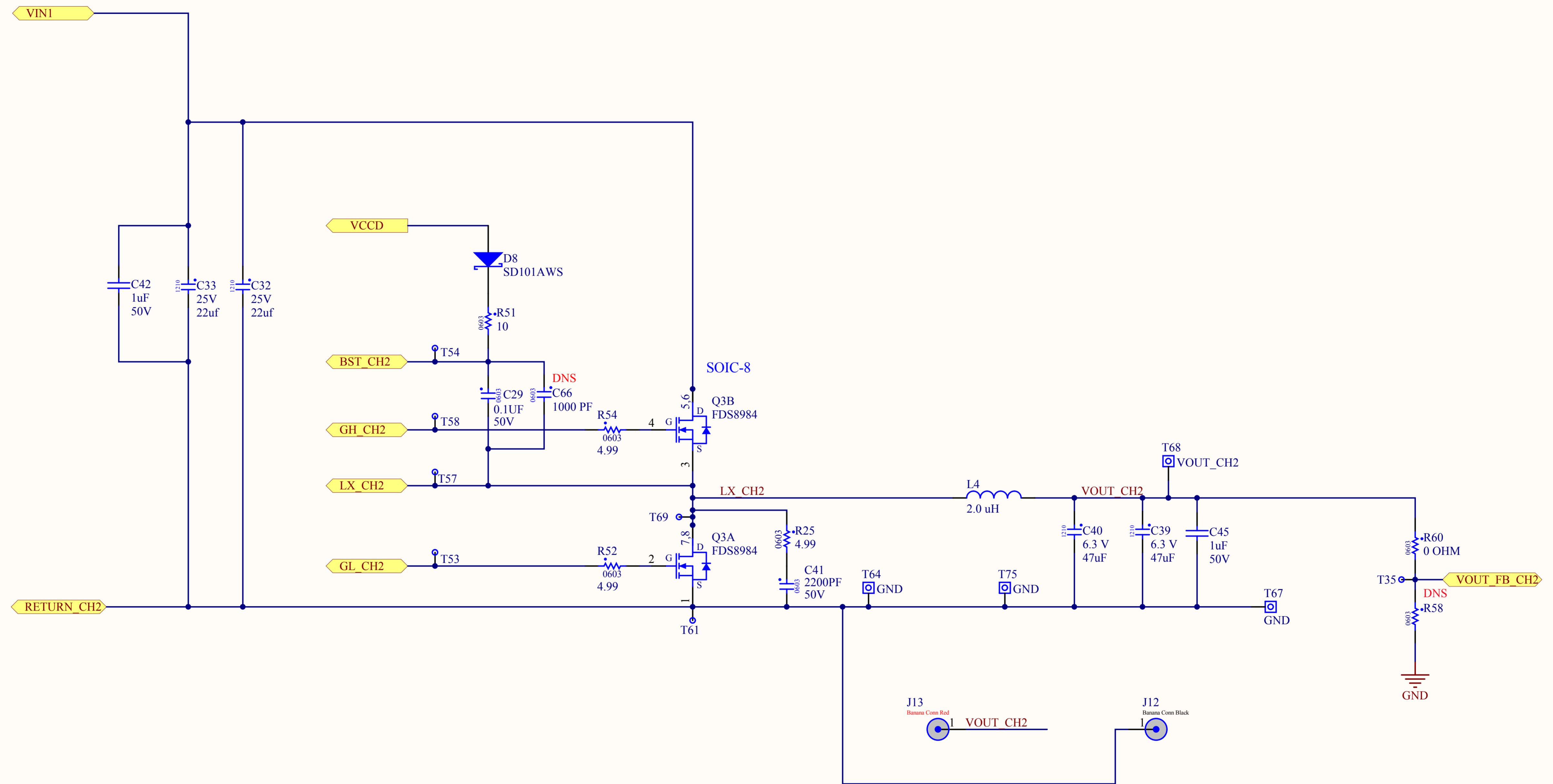
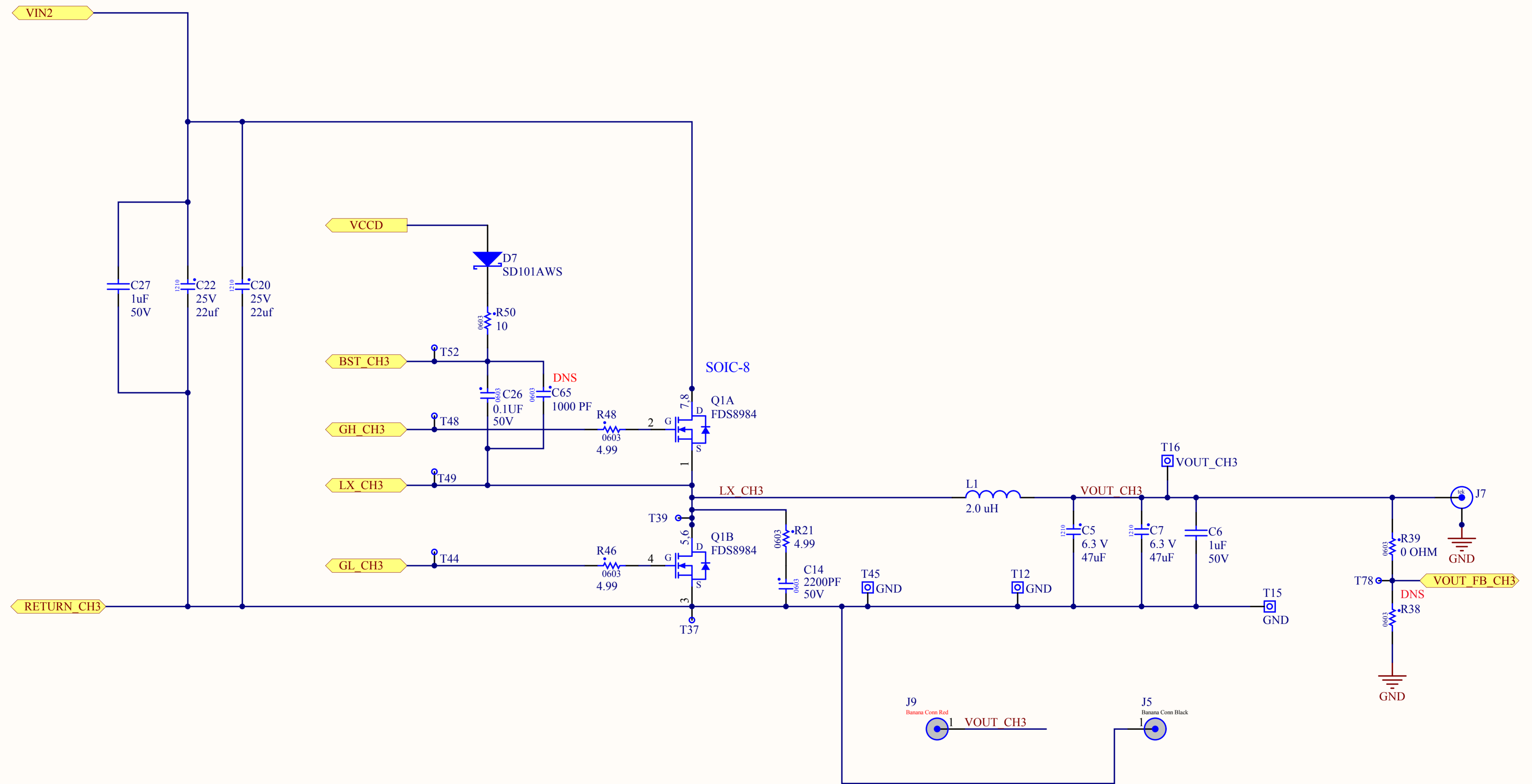


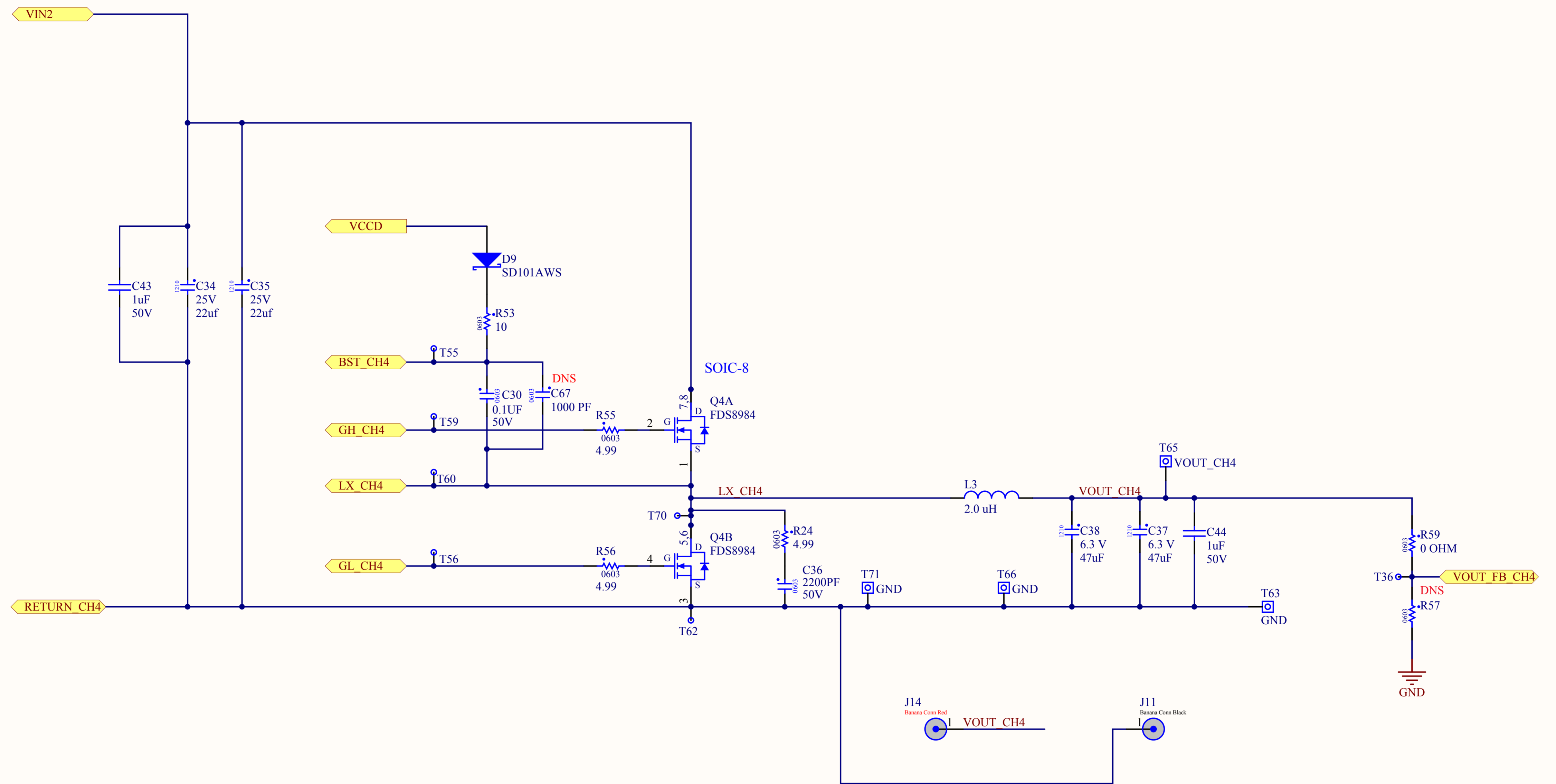
Title XRP7704 TQFN EVB			EXAR 48720 Kato Road Fremont, CA 94538 www.exar.com		
Size: B	Number: 3	Revision: 1			
Date: 9/4/2009	Time: 2:45:08 PM	Sheet 3 of 6	File: C:\SVN_LOCAL_BOARDS\app_xrp7704_tqfn\Board\BuckSupply_CH1.SchDoc		



Title XRP7704 TQFN EVB			EXAR 48720 Kato Road Fremont, CA 94538 www.exar.com	
Size: B	Number: 4	Revision: 1		
Date: 9/4/2009	Time: 2:45:08 PM	Sheet 4 of 6		
File: C:\SVN_LOCAL_BOARDS\app_xrp7704_tqfn\Board\BuckSupply_CH2.SchDoc				



Title XRP7704 TQFN EVB			EXAR 48720 Kato Road Fremont, CA 94538 www.exar.com	
Size: B	Number: 5	Revision: 1		
Date: 9/4/2009	Time: 2:45:09 PM	Sheet 5 of 6		
File: C:\SVN_LOCAL_BOARDS\app_xrp7704_tqfn\Board\BuckSupply_CH3.SchDoc				



Title XRP7704 TQFN EVB			EXAR 48720 Kato Road Fremont, CA 94538 www.exar.com	
Size: B	Number: 6	Revision: 1		
Date: 9/4/2009	Time: 2:45:09 PM	Sheet 6 of 6		
File: C:\SVN_LOCAL_BOARDS\app_xrp7704_tqfn\Board\BuckSupply_CH4.SchDoc				

Multilayer Composite Pri

