

CUSTOMER PRINT

PART NUMBER: W8380-XSG-P-3XX

NOTES:

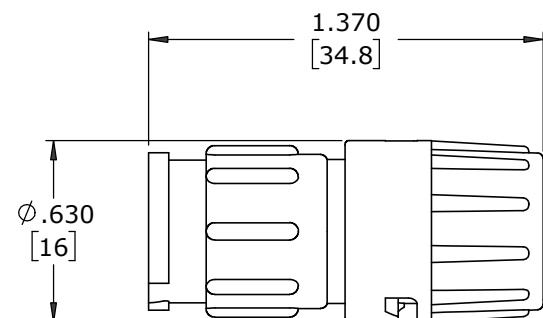
1. ALL PARTS TO BE BULK PACKED
2. CONTACTS SHIPPED UNASSEMBLED
3. ALL DIMENSIONS ARE REFERENCE EXCEPT THOSE WITH A TOLERANCE

ASS'Y P/N	CABLE O.D.
W8380-XSG-P-3DC	DAISY CHAIN
W8380-XSG-P-311	.09-.14 [2.3-3.5]
W8380-XSG-P-315	.15-.17 [3.8-4.3]
W8380-XSG-P-318	.18-.20 [4.6-5.1]
W8380-XSG-P-321	.21-.23 [5.3-5.8]

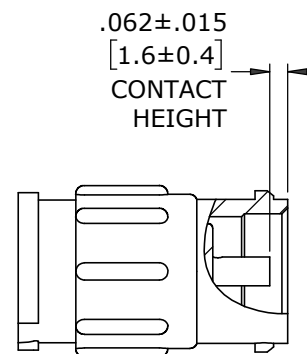
ASS'Y P/N	NO. OF CONTACTS
W8380-2SG-P-3XX	(2) #16
W8380-3SG-P-3XX	(3) #16
W8380-4SG-P-3XX	(4) #16
W8380-XSG-P-3XX	

GROMMET SIZE

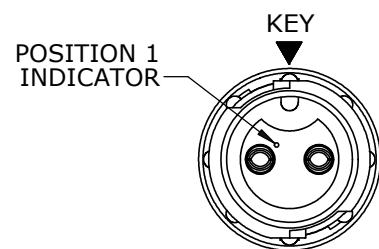
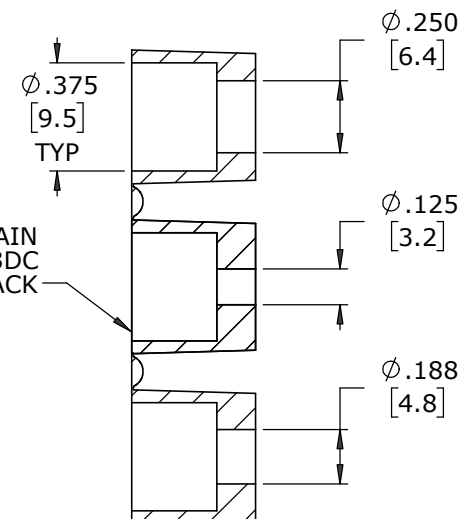
NUMBER OF CONTACTS



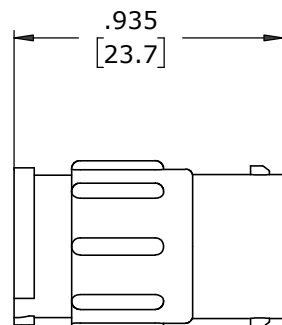
**SHOWN ASSEMBLED**  
FOR CUSTOMER REFERENCE ONLY



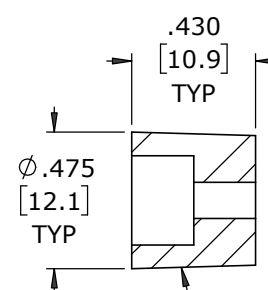
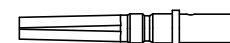
GROMMET, DAISY CHAIN  
FOR W8380-XSG-P-3DC  
MAT'L: RUBBER, BLACK



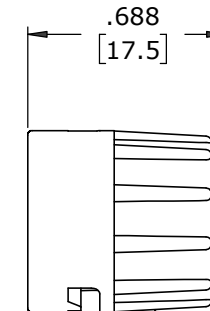
**FACE VIEW**  
W8380-2SG-P-3XX SHOWN



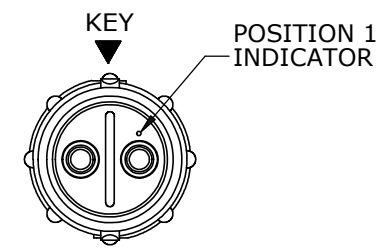
(2-4) #16 SOCKET CONTACTS, CRIMP  
MAT'L: GOLD PLATED COPPER ALLOY



GROMMET  
MAT'L: SANTOPRENE, BLACK

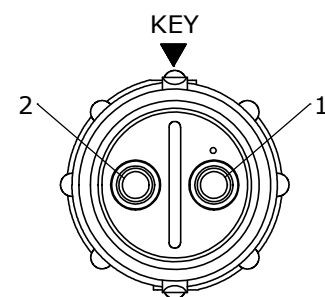


BACKSHELL  
MAT'L: UV PBT, BLACK

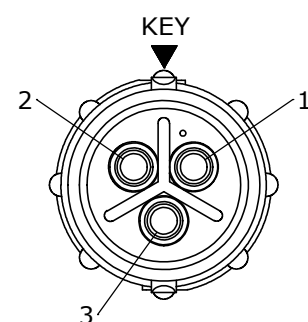


**WIRE VIEW**  
W8380-2SG-P-3XX SHOWN

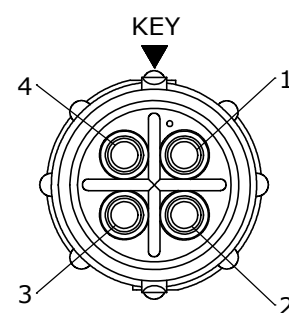
IN-LINE CONNECTOR, FEMALE  
MAT'L: UV PBT, BLACK



**WIRE VIEW**  
W8380-2SG-P-3XX



**WIRE VIEW**  
W8380-3SG-P-3XX



**WIRE VIEW**  
W8380-4SG-P-3XX

DIMENSIONS IN BRACKETS [ ] ARE IN MILLIMETERS UNLESS INDICATED

CUSTOMER APPROVAL

THIS DOCUMENT CONTAINS CONFIDENTIAL INFORMATION PROPRIETARY TO CONXALL CORPORATION. ANY REPRODUCTION, DISCLOSURE, OR USE OF THIS DOCUMENT /INFORMATION IS EXPRESSLY PROHIBITED UNLESS AUTHORIZED IN WRITING BY CONXALL CORPORATION.

APPROVED BY: \_\_\_\_\_  
DATE: \_\_\_\_\_

**RoHS COMPLIANT**

REV.	INIT.	DATE	DESCRIPTION
A	MA	07-14-20	DRAWING CREATED PER PDR 16014-10
<p>ALL INFORMATION ILLUSTRATED IS THE PROPERTY OF "CONXALL CORPORATION". UNAUTHORIZED DUPLICATION OR DISTRIBUTION OF THIS DOCUMENT IS PROHIBITED.</p>			<p>ORIG. DRAWN BY: MA DATE: 07-14-20</p>
<p>ALL UNITS ARE IN FEET, INCHES, FRACTION OF INCHES AND DECIMALS.</p>			<p>CHECKED BY:</p>
<p>APPROVED BY:</p>			<p>TITLE: IN-LINE CONNECTOR ASS'Y (2-4) #16 SOCKET CONTACTS, CRIMP INSTA-CLICK™ MINI-CON-X STANDARD PRODUCT</p>
SCALE	SIZE	SHEET	CUSTOMER:
NTS	B	1 OF 1	W8380-XSG-P-3XX
FILE:	DIRECTORY:	PART NUMBER:	REV
W8380-XSG-P-3XX	SLW	W8380-XSG-P-3XX	A



601 E. WILDWOOD VILLA PARK, IL 60181