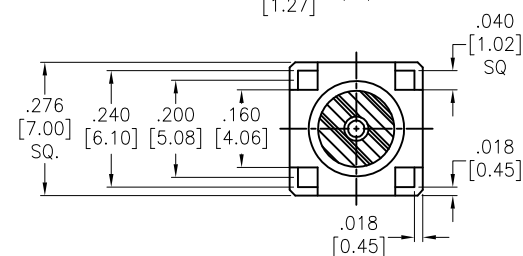
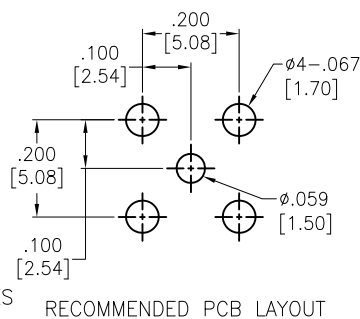
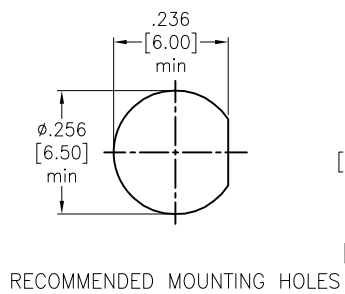
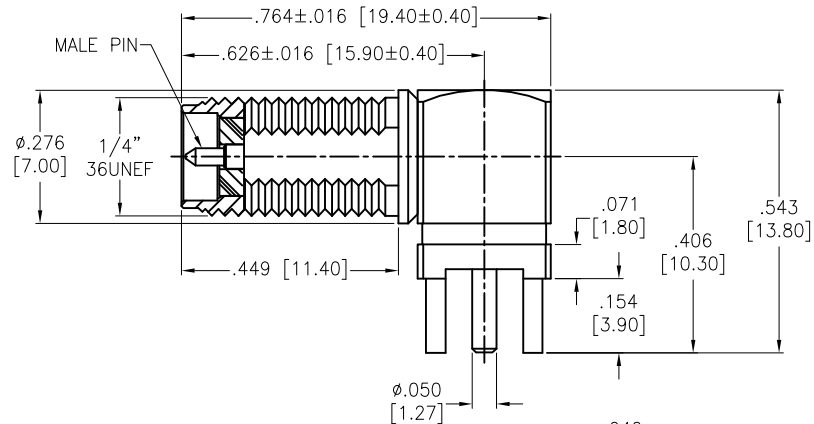
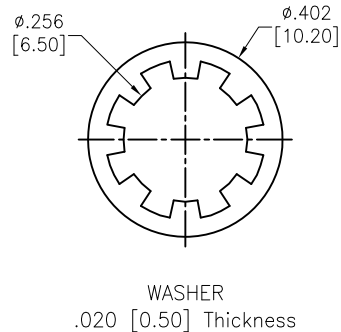
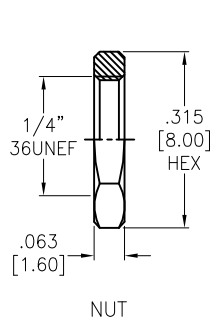


APPROVED: \_\_\_\_\_  
 DATE: \_\_\_\_\_ TITLE: \_\_\_\_\_

Rev	AWO #	Description	Date	Appr
-		RELEASED	11/15/18	



NUT	BRASS	GOLD
LOCK WASHER	BRASS	GOLD
INSULATOR	TEFLON	
BODY	BRASS	GOLD
CENTER PIN	BRASS	GOLD
INSULATOR	TEFLON	
BODY	BRASS	GOLD
PART NAME	MATERIAL	FINISH

SPECIFICATIONS:  
 Temperature Rating: -40°C to +85°C  
 PTFE Temperature Rating: -190°C to +260°C  
 Environmental:  
 Lead free, RoHS compliant.



UNLESS OTHERWISE SPECIFIED  
 ALL DIMENSIONS ARE INCHES [MM]  
 TOLERANCES: EXCEPT AS NOTED

INCHES		HOLES	
.X	± .10	Ø.X	± .10
.XX	± .020	Ø.XX	± .015
.XXX	± .015	Ø.XXX	± .010

**ADAM TECH**  
 INTERCONNECTS  
 909 Rahway Avenue,  
 Union, NJ 07083  
 Phone: 908-687-5000  
 Fax: 908-687-5710

APPROVALS		DATE
DRAWN	AY	11/15/18
CHECKED	AC	11/15/18
APPROVED		

TITLE		
SMA R/A PCB MOUNT JACK, MALE PIN GOLD PLATED		
SIZE	PART NO.	REV.
X	RF2-100D-T-00-50-G-HDW-RP	-
REF:	S00291T	SCALE: NTS
		SHEET 1 OF 1