

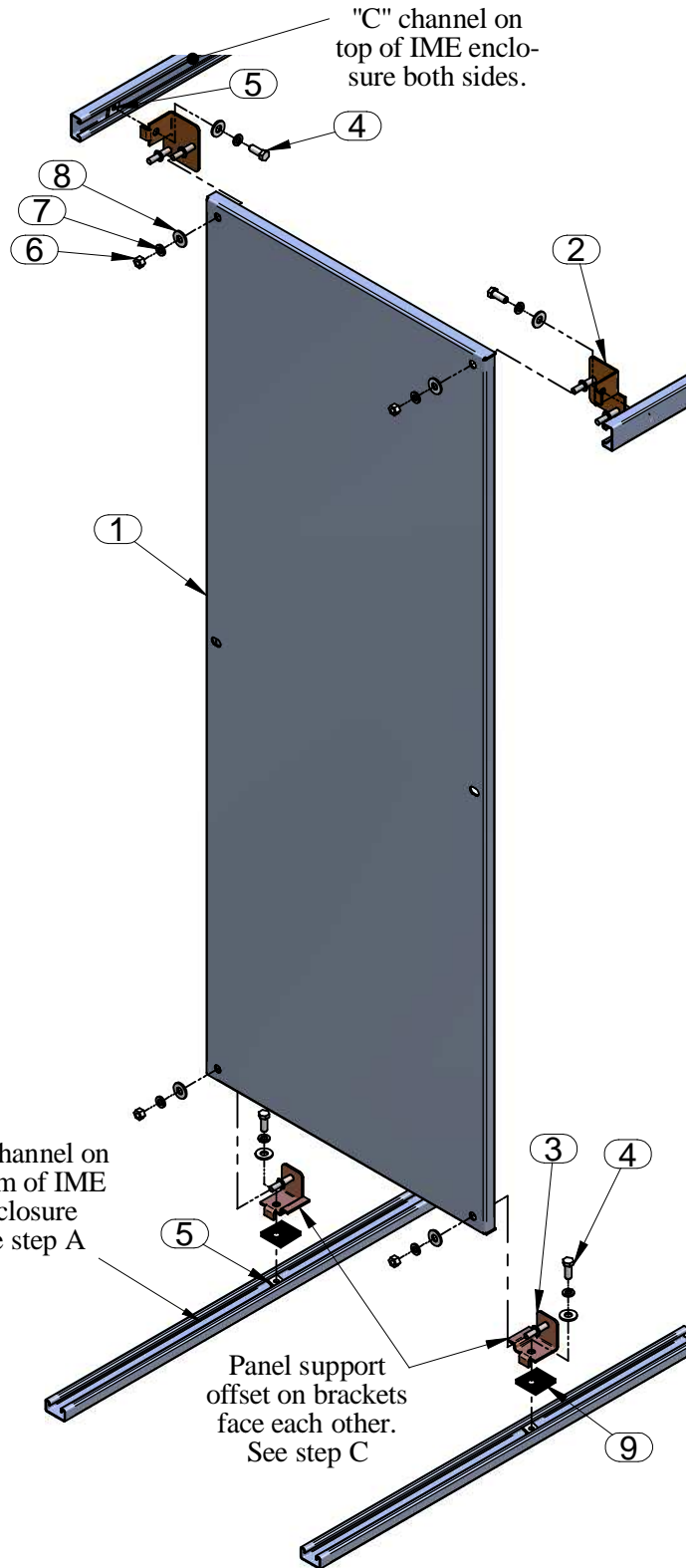
# IME - SERIES

## ASSEMBLY INSTRUCTIONS FOR IMEP FULL HEIGHT INNER PANEL ON IME ENCLOSURES

BUL10250  
REV. A  
PAGE 1 OF 1

### ASSEMBLY INSTRUCTIONS:

- A) Insert spring nuts (item 5) into the C channels on both sides at top and in the bottom of IME enclosure. Locate them approximately where inner panel will be.
- B) Install top mounting brackets (item 2) using hex bolts and washer (items 4, 7 & 8) into the spring nuts
- C) Install bottom mounting brackets (item 3) and nylon glides (item 9) using hex bolts and washers (items 4, 7 & 8) into the spring nuts. Insure that panel support offset on brackets face each other.
- D) Before tightening measure and adjust all brackets so that they are at the desired location from front or back of enclosure.
- E) Mount inner panel (item 1) using the top 2 holes and bottom 2 holes. Slip over the 3/8 studs on top and bottom mounting brackets as shown. Fasten panel using hex nuts and washers (items 6, 7 & 8).



PARTS LIST		
ITEM No.	DESCRIPTION	QTY
1	INNER PANEL	1
2	TOP MOUNTING BRACKET	2
3	BOTTOM MOUNTING BRACKET	2
4	3/8-16 HEX BOLT	4
5	3/8-16 SPRING STRUT NUT	4
6	3/8-16 HEX NUT	4
7	3/8 LOCK WASHER	8
8	3/8 FLAT WASHER	8
9	NYLON GLIDE	2

#### TOOL BOX



Tape Measure



9/16" Socket Wrench



**HAMMOND**  
**MANUFACTURING™**  
ELECTRONICS GROUP

visit our website @ [www.hammondmfg.com](http://www.hammondmfg.com)