



### Electrical specifications

**Center Frequency:** 3500 MHz  
**Passband frequencies:** 3000 MHz to 4000 MHz (BW=1000 MHz)  
**Insertion loss of Passband:** 1 dB max  
**Low side rejection frequencies:** 60 dB@ below 2800 MHz  
**High side rejection frequencies:** 60 dB2 above 4200 MHz  
**Return loss:** VSWR (1.5:1) max  
**Nominal impedance:** 50 Ohm  
**Power handling:** 5 Watts

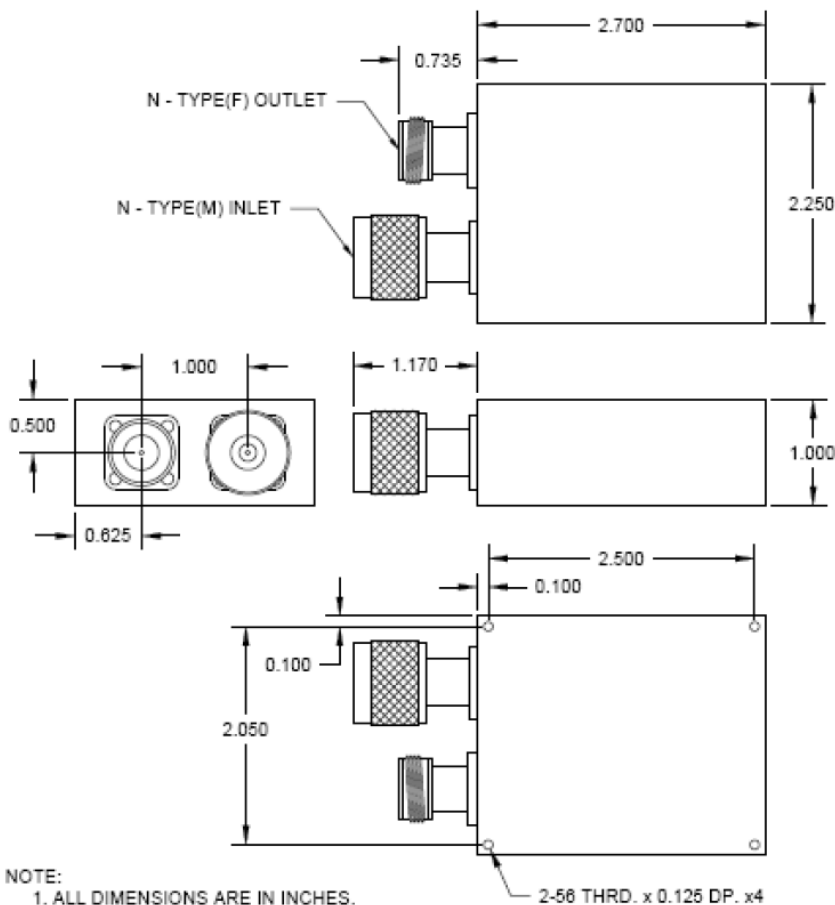
### Mechanical

**Mounting Method:** Threaded Mounting Holes  
**Connector Type:** N-type Female, N-type male  
**Dimensions:** 2.70" x 2.25" x 1.00" in

### Environmental

**Operating Temperature:** -45 to +85° C  
**Storage Temperature:** -55 to +95° C  
**Shock:** 20 G. 11ms  
**Vibration:** 20 G. 5 to 200 MHz

### Outline Drawing:





**ANATECH ELECTRONICS INC**  
RF & Microwave Filters & Products

# 3500 MHz Cavity Bandpass Filter

Part Number: AE3500B10731



## Plots:

