

THIS DRAWING IS THE PROPERTY OF ANALOG DEVICES INC. IT IS NOT TO BE REPRODUCED OR COPIED, IN WHOLE OR IN PART, OR USED IN FURNISHING INFORMATION TO OTHERS, OR FOR ANY OTHER PURPOSE DETRIMENTAL TO THE INTERESTS OF ANALOG DEVICES. THE EQUIPMENT SHOWN HEREON MAY BE PROTECTED BY PATENTS OWNED OR CONTROLLED BY ANALOG DEVICES.

JUMPER TABLE		
JP#	ON	OFF
1		
2		
3		
4		
5		


REVISIONS			
REV	DESCRIPTION	DATE	APPROVED
A	ORIGINATION	APRIL-2013	W.T
B	UPDATE POWER SUPPLY	AUG-2013	W.T
C	CUSTOMER RELEASE	SEPT-2013	W.T

RELAY CONTROL CHART

CONTROL	CODE	DEVICE	FUNCTION	CONNECTOR

\* SEE ASSEMBLY INSTRUCTIONS

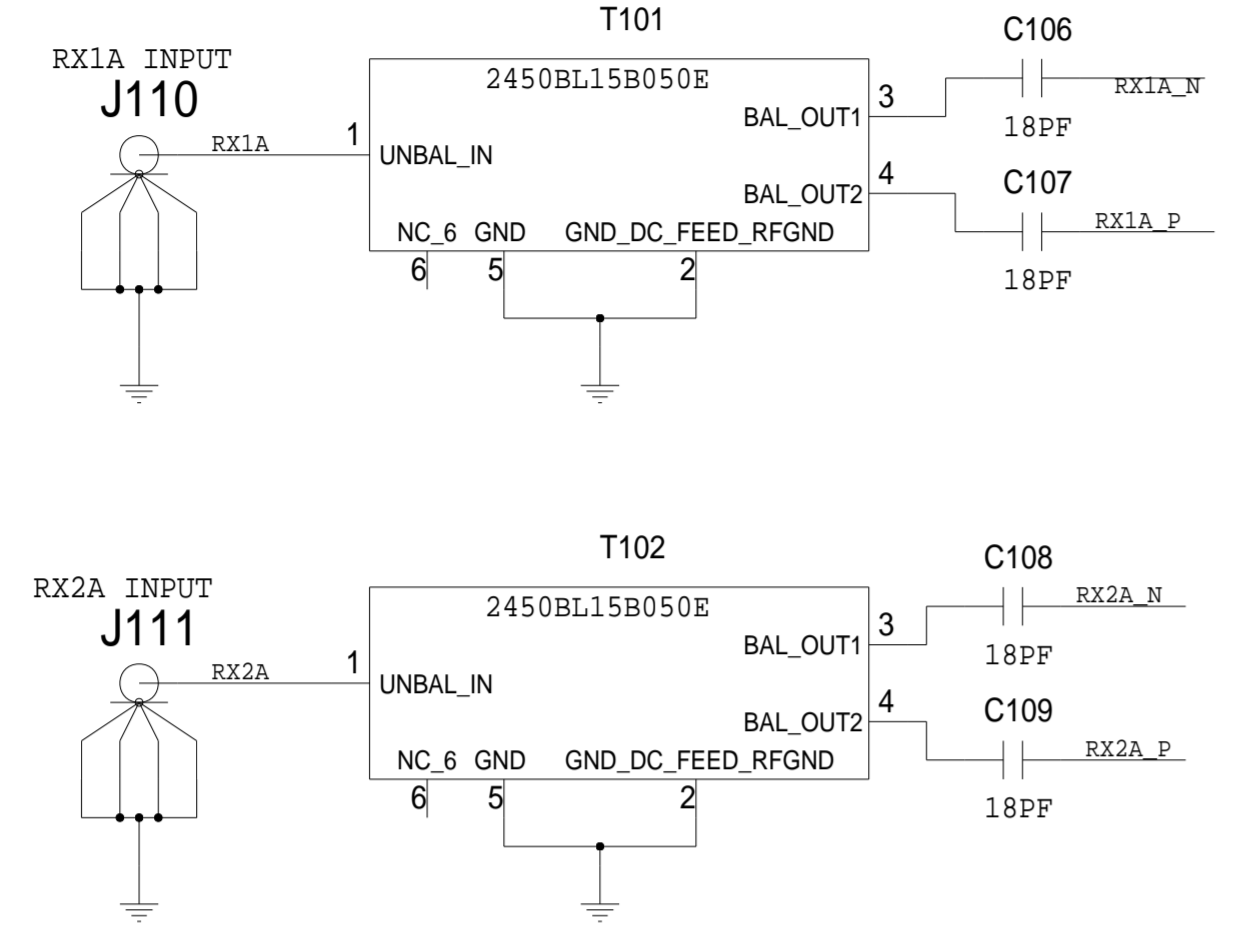

P.O SPEC.	BK/BD SPEC.	SOCKET OEM	OEM PART#	HANDLER

TEMPLATE ENGINEER G CELEDONIO	DATE	<b>SCHEMATIC</b>			
HARDWARE SERVICES R MACDONALD		HW TYPE : AD9361 CUSTOMER FMC BOARD			
HARDWARE SYSTEMS J KEANE		Product(s): AD9361			
TEST ENGINEER N/A		PACKAGE : 144t-lead 10X10 Package-family			
COMPONENT ENGINEER G CELEDONIO					
TEST PROCESS N/A					
HARDWARE RELEASE N/A					
DESIGNER R PAMPOLINO	SEPT-2013	MASTER PROJECT TEMPLATE TBD	TESTER TEMPLATE no_template	DRAWING NO. 02_037229	REV. C
PTD ENGINEER W TAYLOR	SEPT-2013	UNLESS OTHERWISE SPECIFIED DIMENSIONS ARE IN INCHES TOLERANCES			
CHECKER N/A		DECIMALS X.XX +-0.010 X.XXX +-0.005	FRACTIONS +-1/32	ANGLES +-2	SIZE <b>D</b>
		SCALE 1:1	CODE ID NO. CodeID	SHEET 1	OF 4

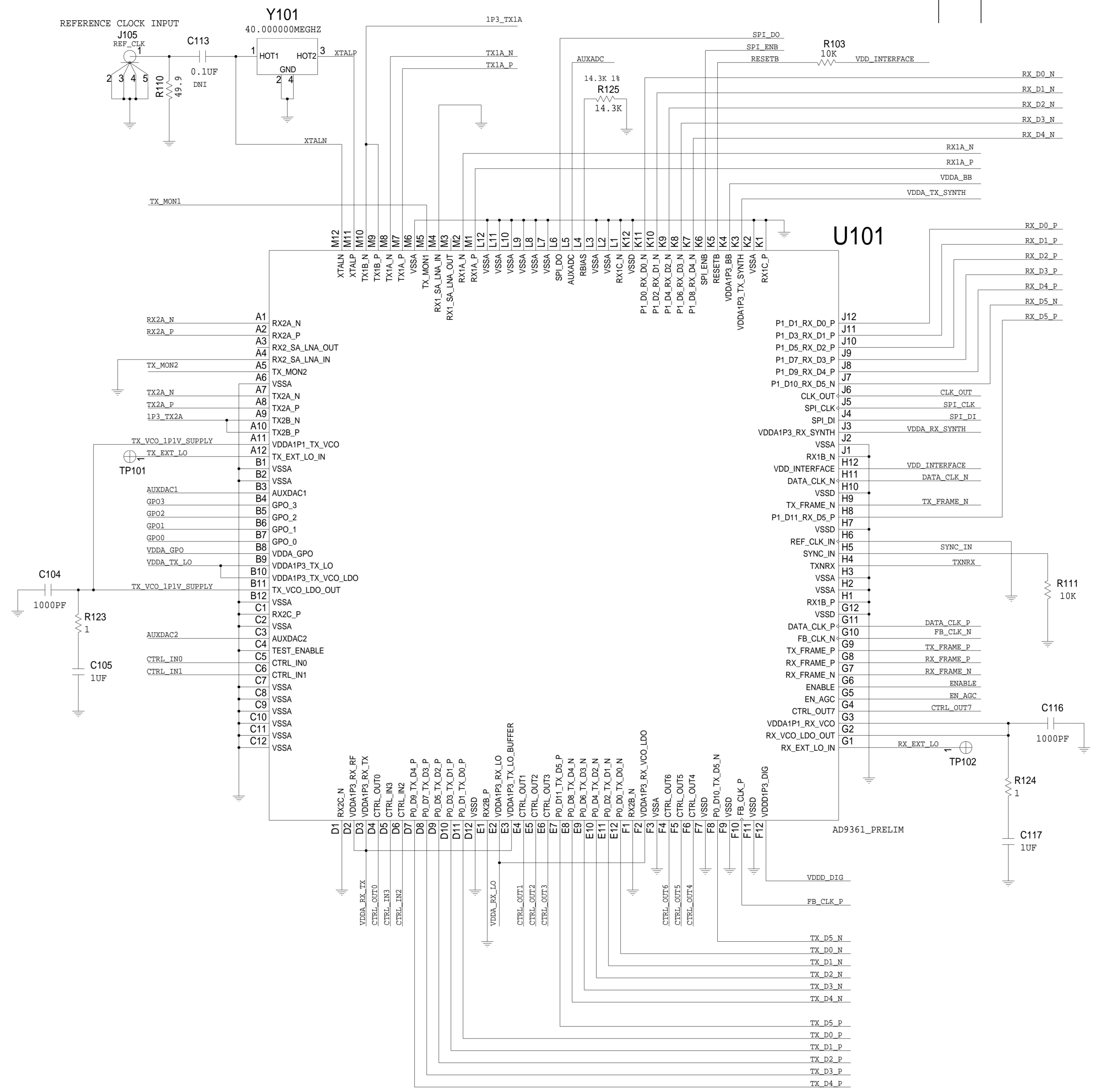
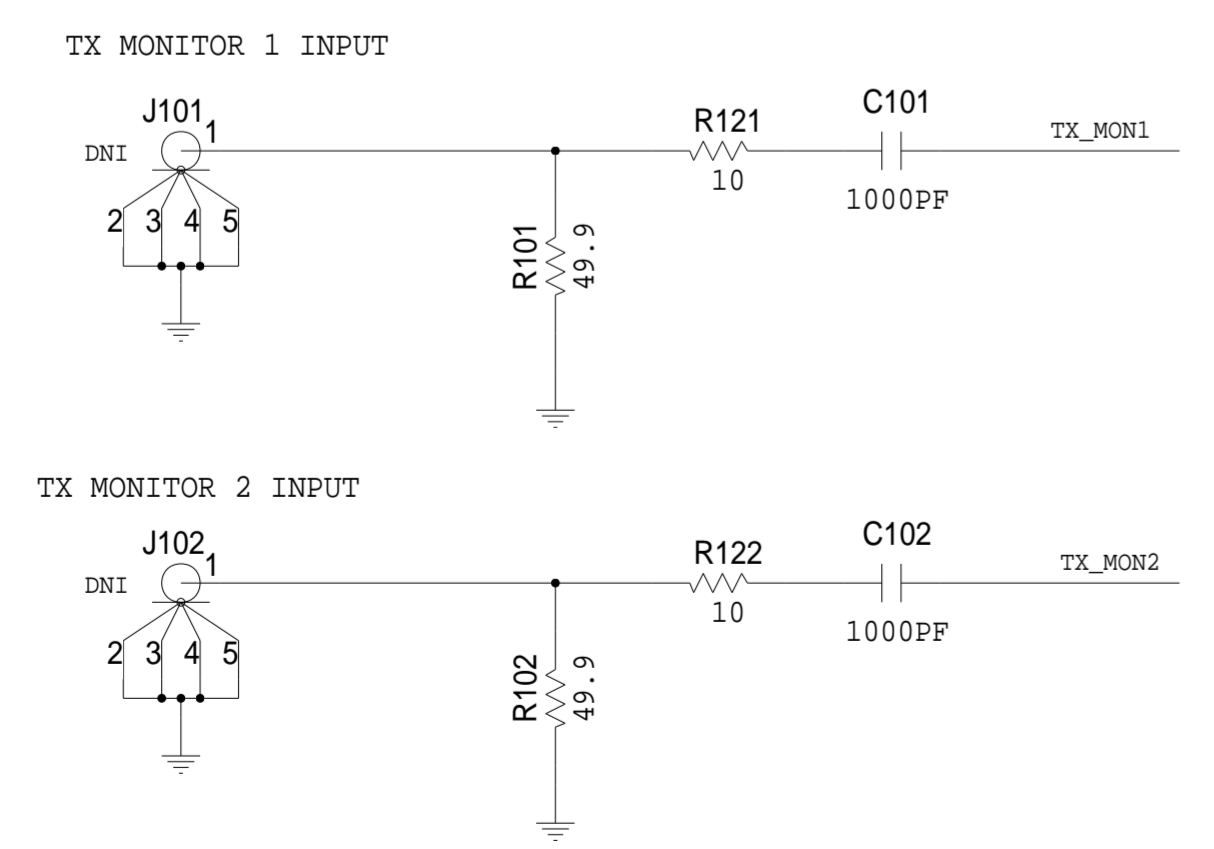
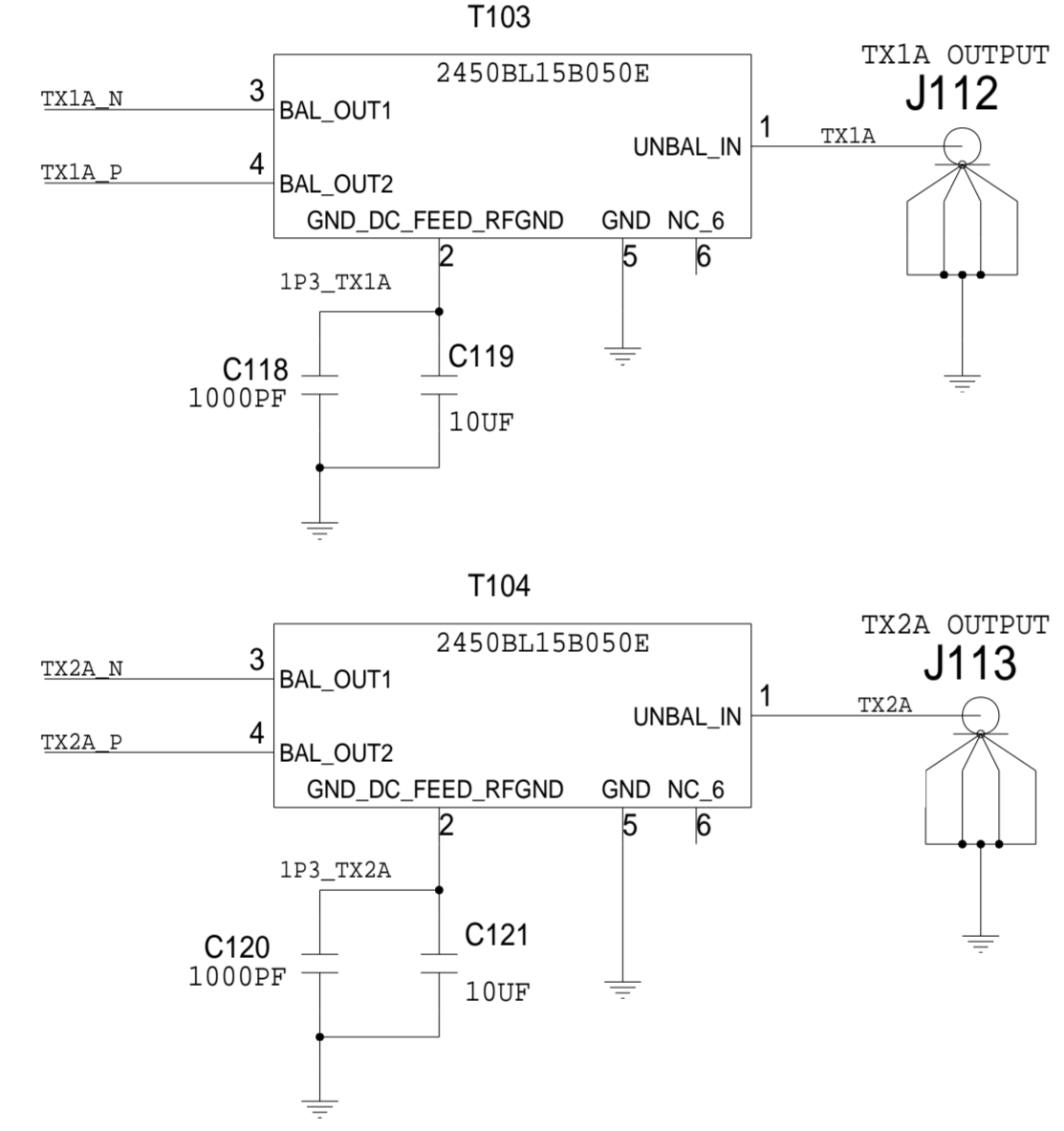
REVISIONS			
REV	DESCRIPTION	DATE	APPROVED

ALL RX AND TX BALUNS ARE MATCHED TO 2.4GHZ  
FOR ADDITIONAL MATCHING INFORMATION REFER TO DOCUMENT PACKAGE

### RX SMA CONNECTORS



### TX SMA CONNECTORS



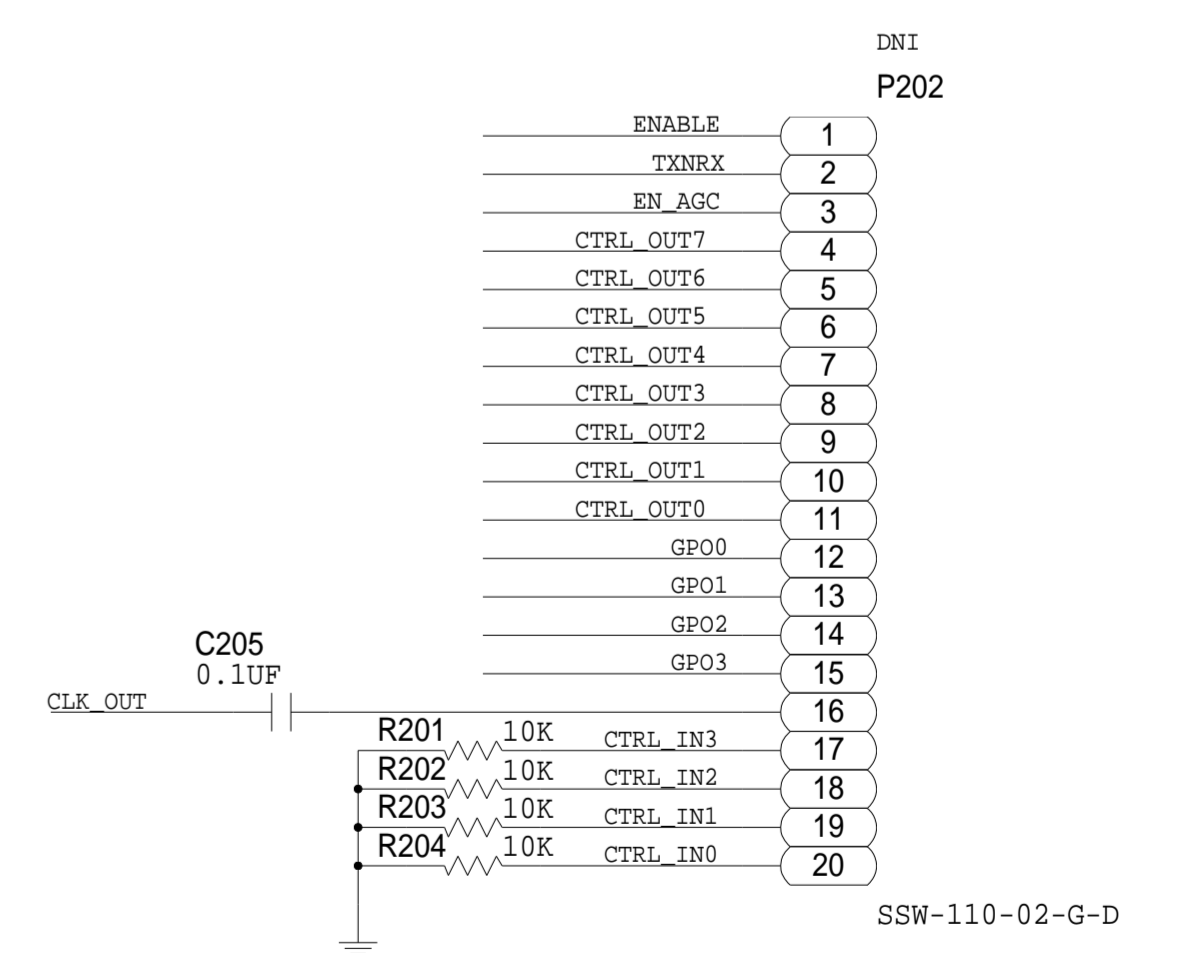
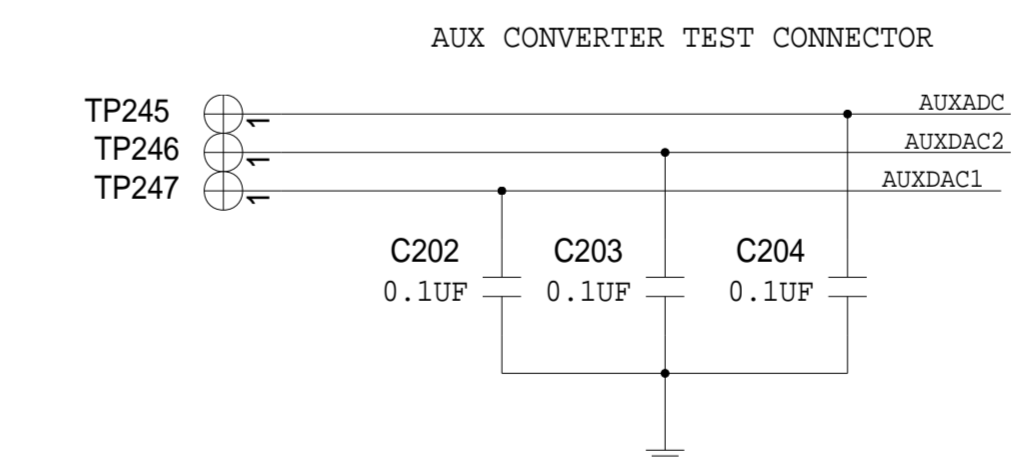
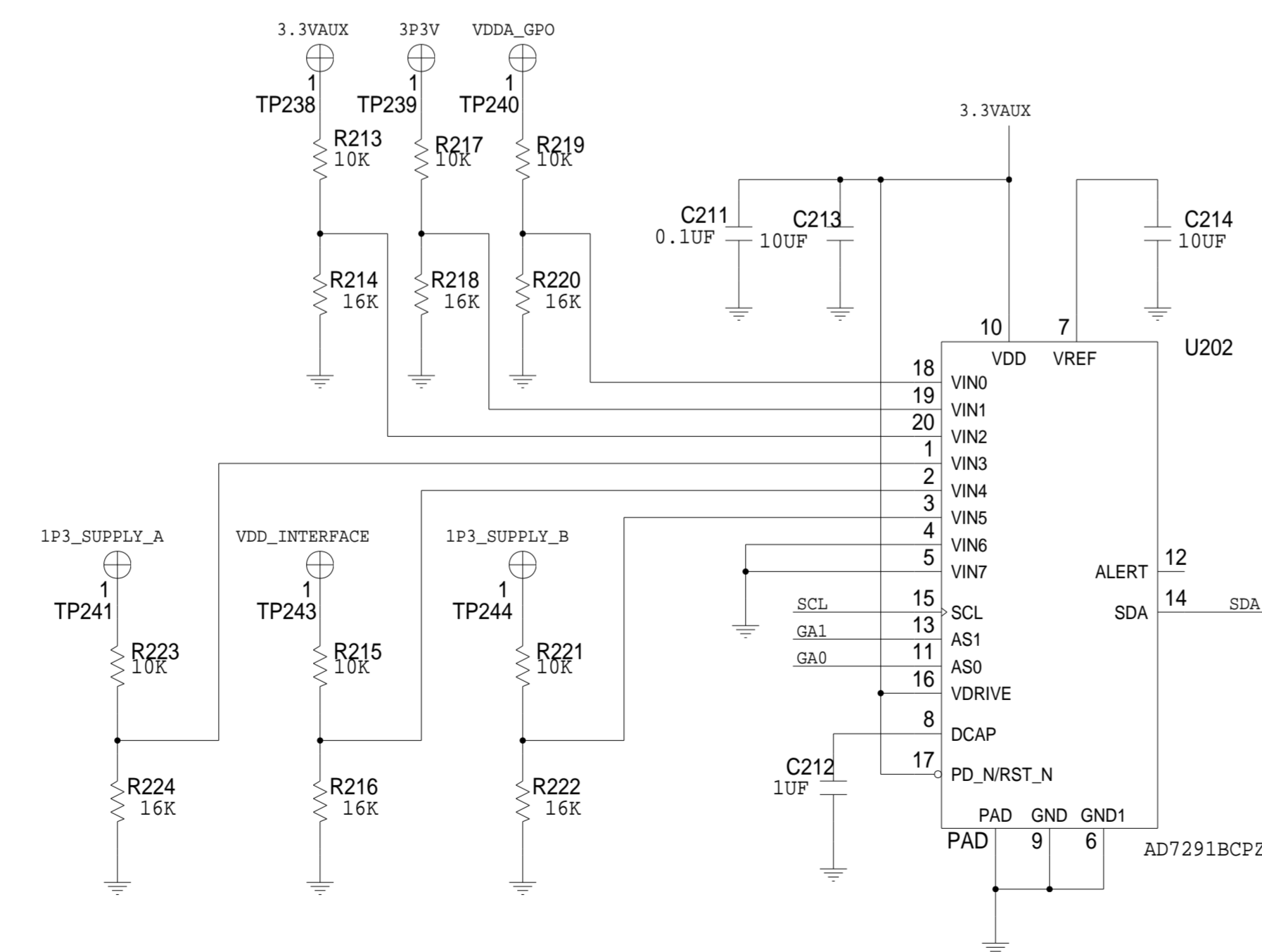
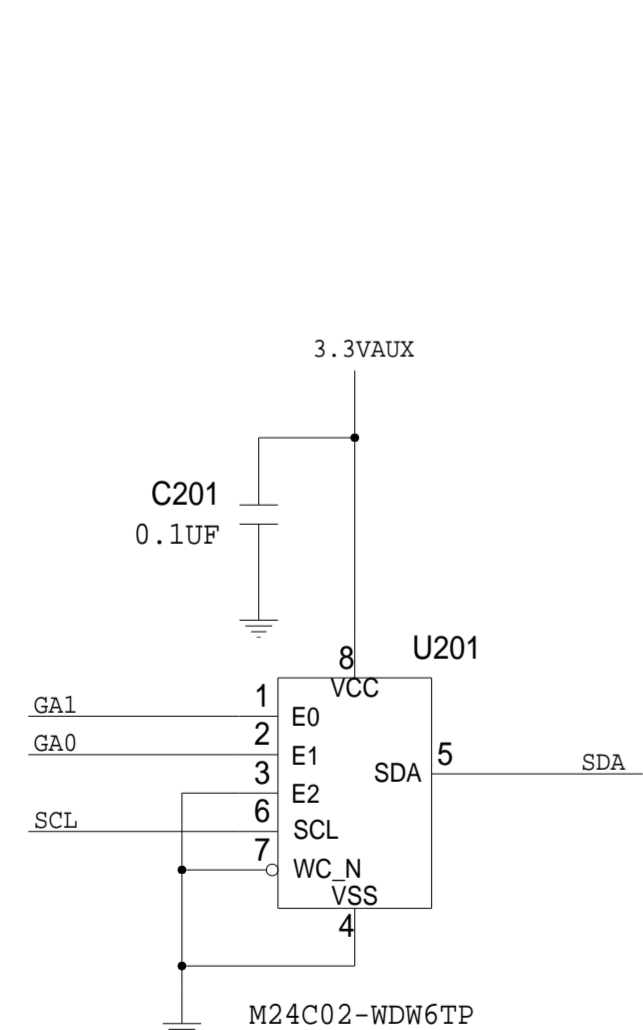
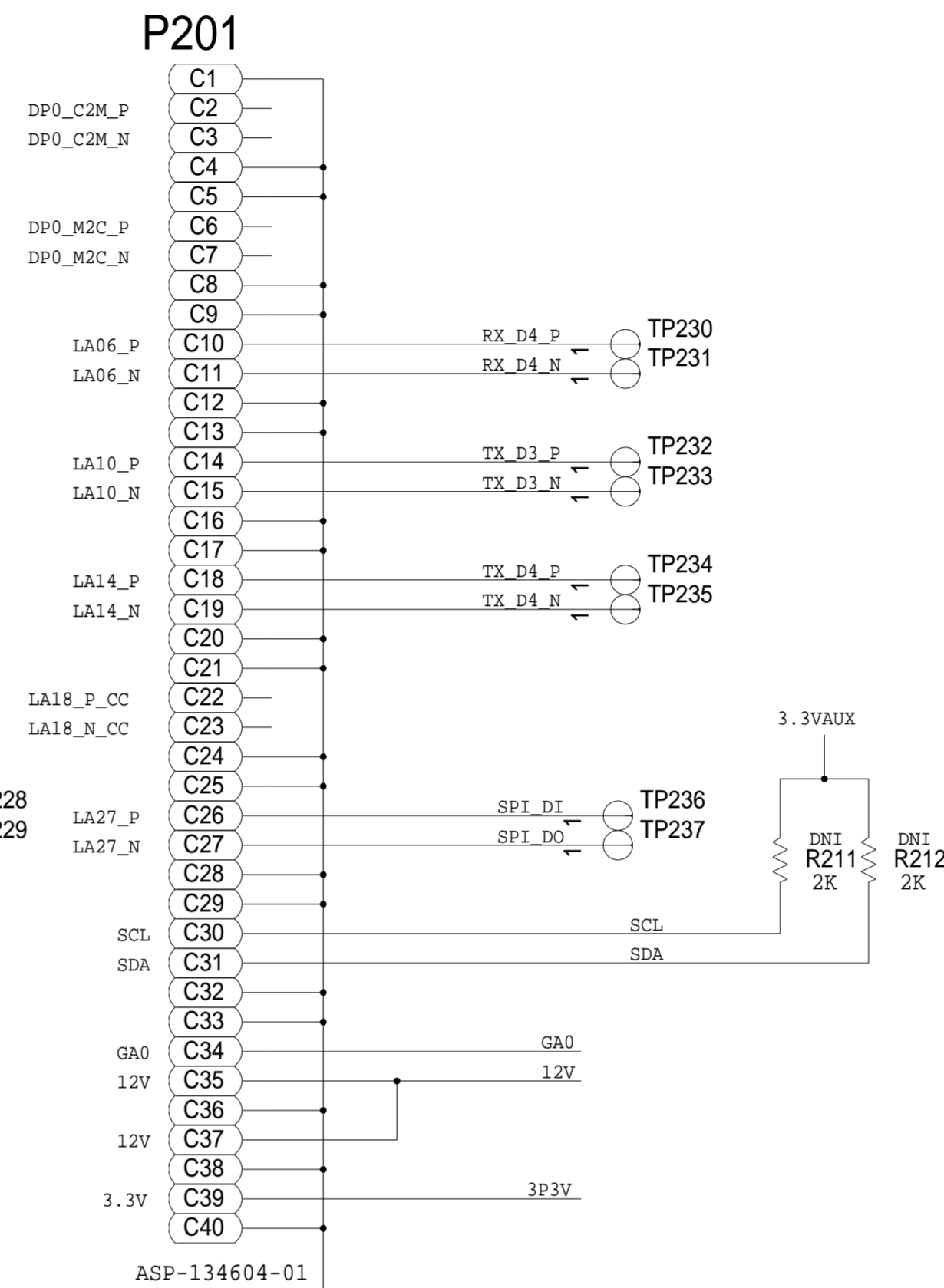
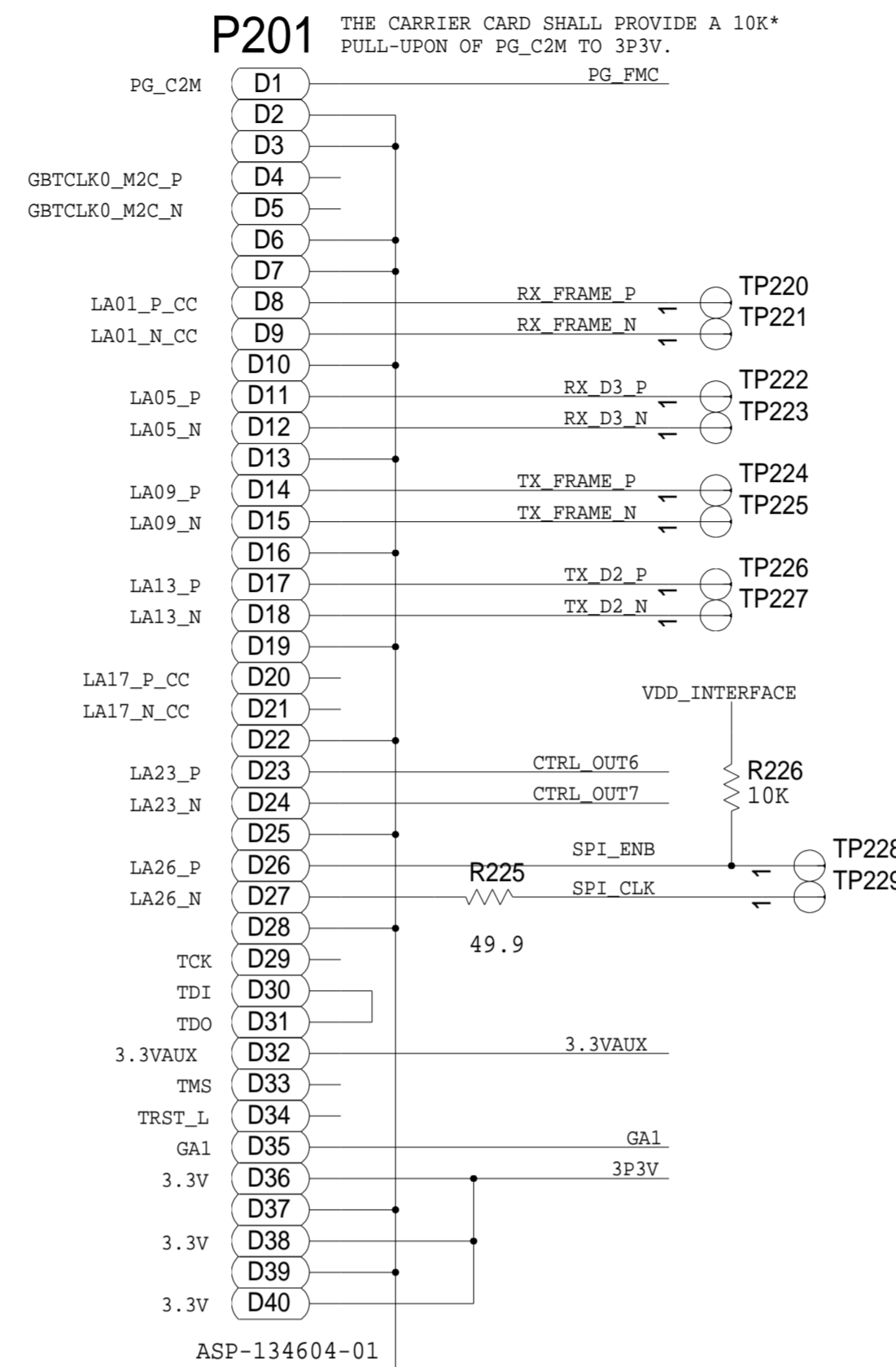
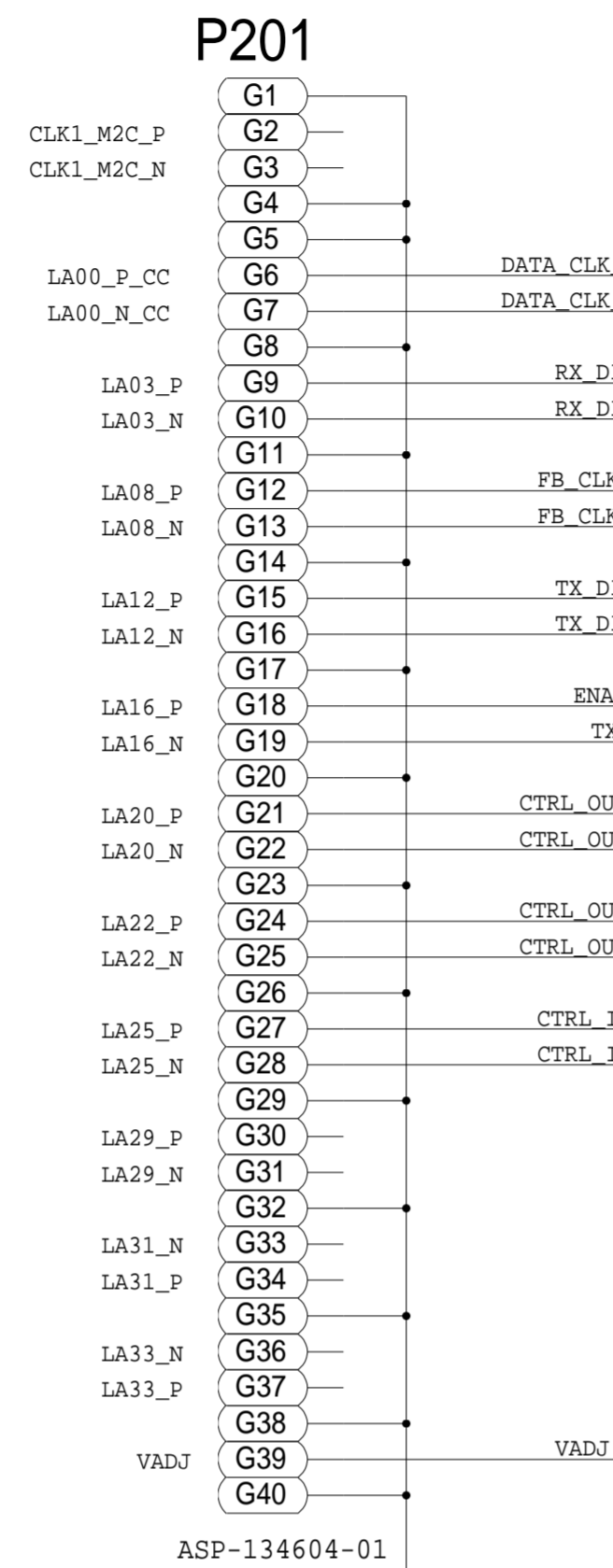
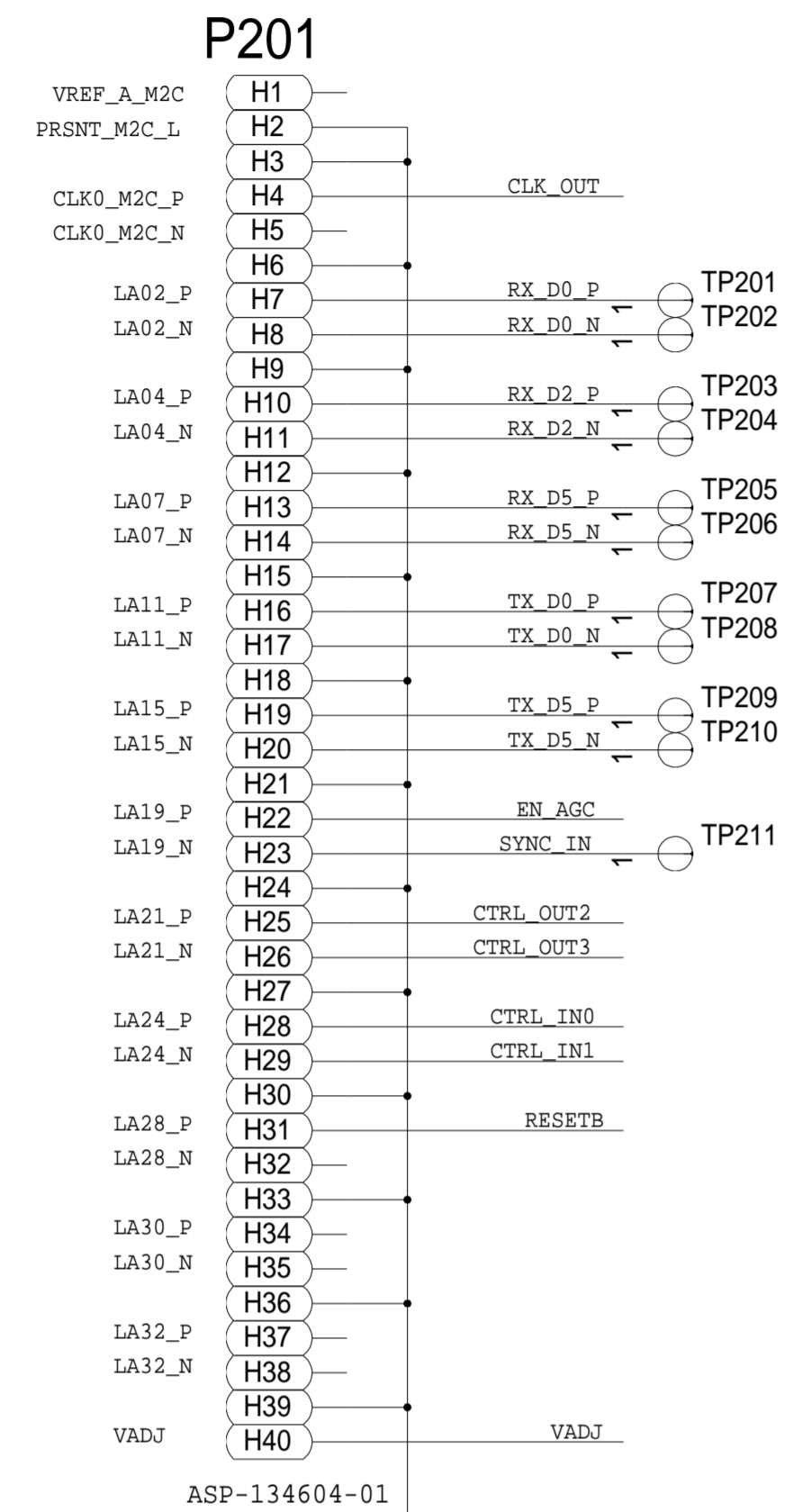
### AD9361 SINGLE CHIP RADIO FMC BOARD

ANALOG DEVICES		SCHEMATIC	
HW TYPE : AD9361 CUSTOMER FMC BOARD		Product (s) : AD9361	
DESIGN VIEW <DESIGN_VIEW>	DRAWING NO. 02_037229	REV C	
PTD ENGINEER W TAYLOR	SCALE 1:1	SHEET 2 OF 4	

THIS DRAWING IS THE PROPERTY OF ANALOG DEVICES INC. IT IS NOT TO BE REPRODUCED OR COPIED, IN WHOLE OR IN PART, OR USED IN ANY MANNER WITHOUT THE WRITTEN PERMISSION OF ANALOG DEVICES. THE EQUIPMENT DESIGN HEREON MAY BE PROTECTED BY PATENTS OWNED OR CONTROLLED BY ANALOG DEVICES.

REVISIONS			
REV	DESCRIPTION	DATE	APPROVED

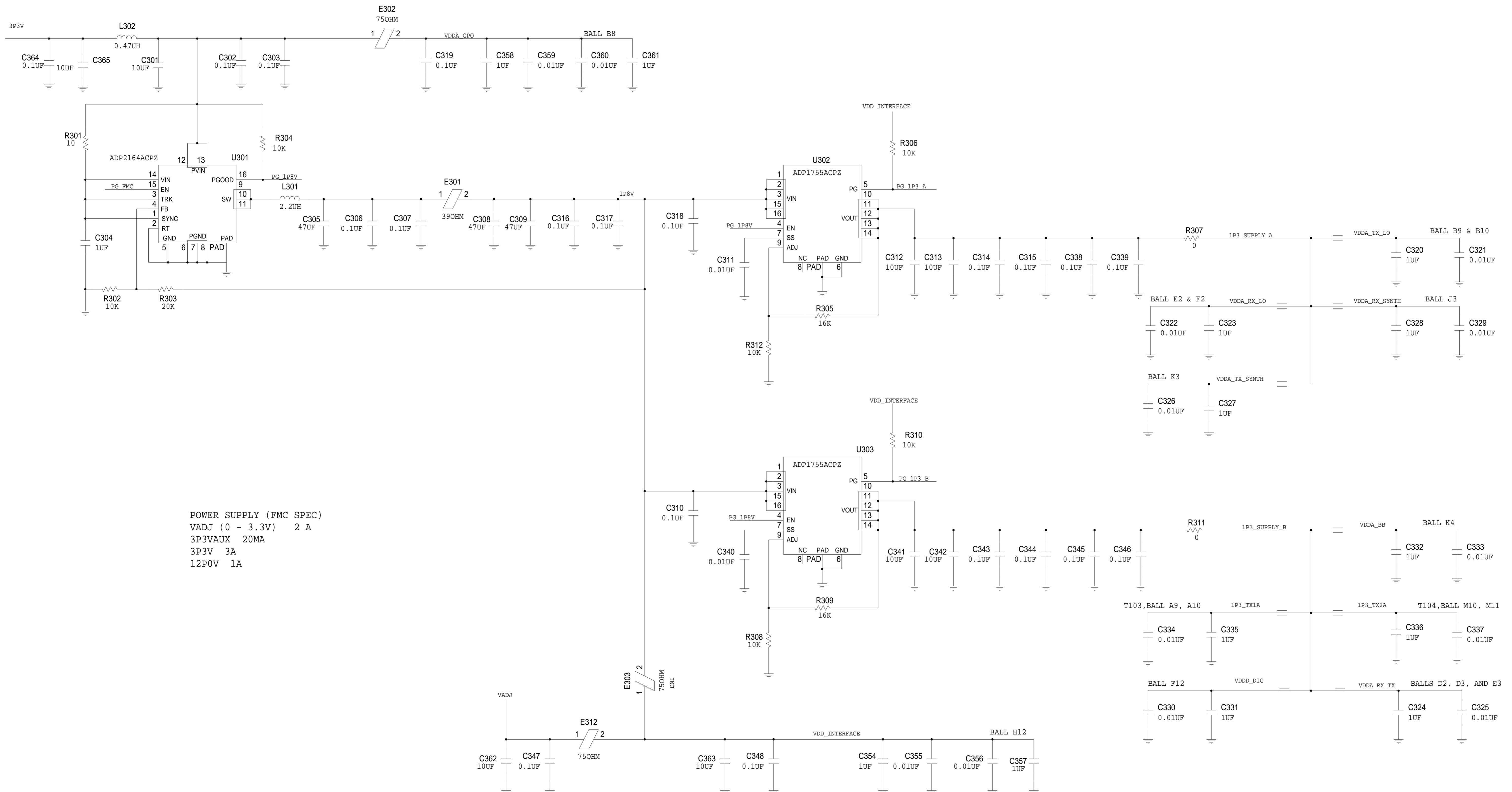
### FMC CONNECTOR



	<b>SCHEMATIC</b>		
	HW TYPE : AD9361 CUSTOMER FMC BOARD		
	Product (s) : AD9361		
	DESIGN VIEW <DESIGN_VIEW>	DRAWING NO. 02_037229	REV C
PTD ENGINEER W TAYLOR	SIZE D	SCALE 1:1	
		SHEET 3 OF 4	

# POWER MANAGEMENT SECTION

REVISIONS			
REV	DESCRIPTION	DATE	APPROVED



POWER SUPPLY (FMC SPEC)  
 VADJ (0 - 3.3V) 2 A  
 3P3VAUX 20MA  
 3P3V 3A  
 12P0V 1A

	<b>SCHEMATIC</b>		
	HW TYPE : AD9361 CUSTOMER FMC BOARD Product(s) : AD9361		
DESIGN VIEW <DESIGN_VIEW>	DRAWING NO. 02_037229	REV C	
PTD ENGINEER W TAYLOR	SIZE D	SCALE 1:1	SHEET 4 OF 4

THIS DRAWING IS THE PROPERTY OF ANALOG DEVICES INC. IT IS NOT TO BE REPRODUCED OR COPIED, IN WHOLE OR IN PART, OR USED IN ANY MANNER WITHOUT THE WRITTEN PERMISSION OF ANALOG DEVICES. THE EQUIPMENT DESIGN HEREON MAY BE PROTECTED BY PATENTS OWNED OR CONTROLLED BY ANALOG DEVICES.