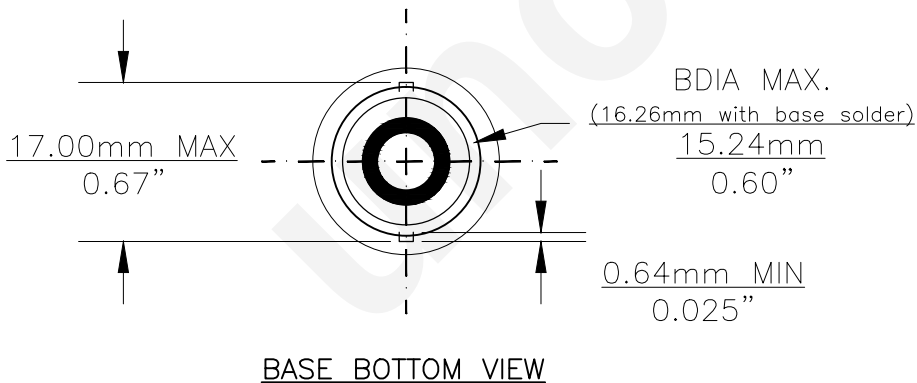
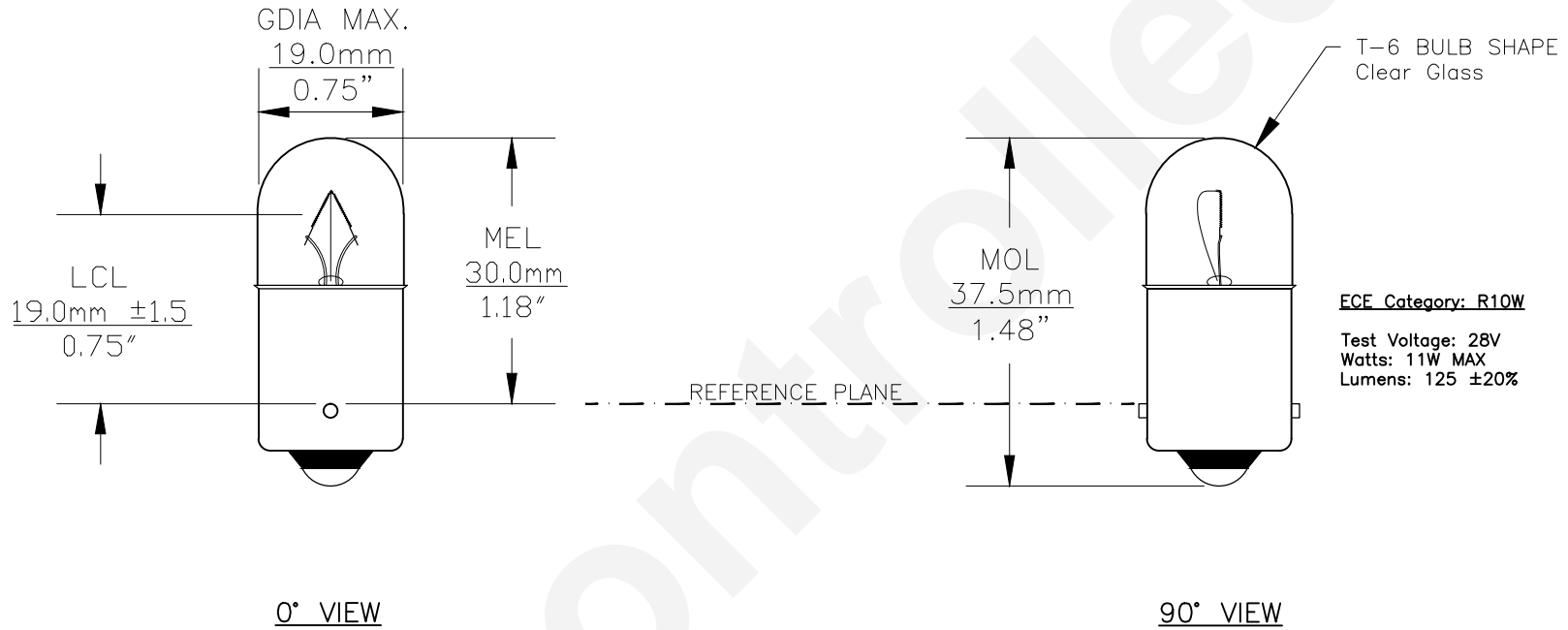




PART NO.	BASE TYPE	DESIGN VOLTS	DESIGN AMPS	MSCD	FILAMENT TYPE	AVERAGE LIFE HOURS	REVISIONS			
							REV #	DESCRIPTION	DATE	APPROVED
5637	S.C. BAYONET (BA15s)	24.0V	0.2±10%	10.0 ±20%	C-6	200	1	ISSUED	09/14/2009	D.C.
							2	REDRAWN FOR ADDITIONAL VIEWS	09/04/2014	R.M.



Note: Made according to ECE/R37 specifications

UNLESS OTHERWISE SPECIFIED: DIMENSIONS ARE IN INCHES TOLERANCES		CEC INDUSTRIES LTD	
DECIMALS .XX ± .05	ANGULAR .XXX ± .010	599 BOND STREET	LINCOLNSHIRE, IL 60069
FRACTIONAL ±1/64		TITLE LIGHT BULB NO. 5637 (R10W 24V)	
DRAWN D. C.	DATE 09/14/2009	SIZE A	FSCM NO. 5637
CHECKED	DESIGN	DWG NO. 5637	REV 3
MATERIAL	SCALE	PLOT SCALE	SHEET 1 OF 1
	FILE 5637.pdf	DRAWING NOT TO SCALE	