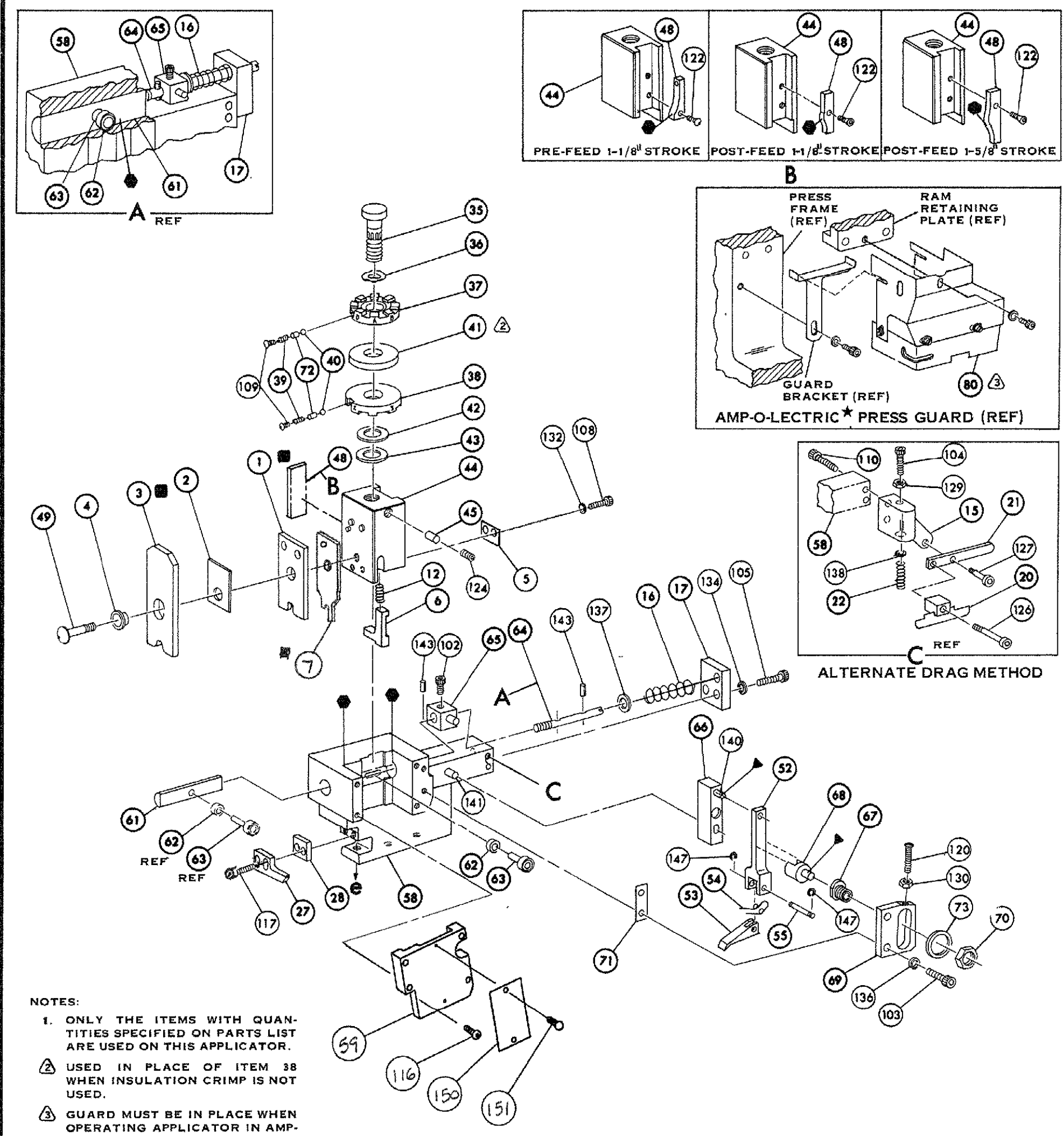
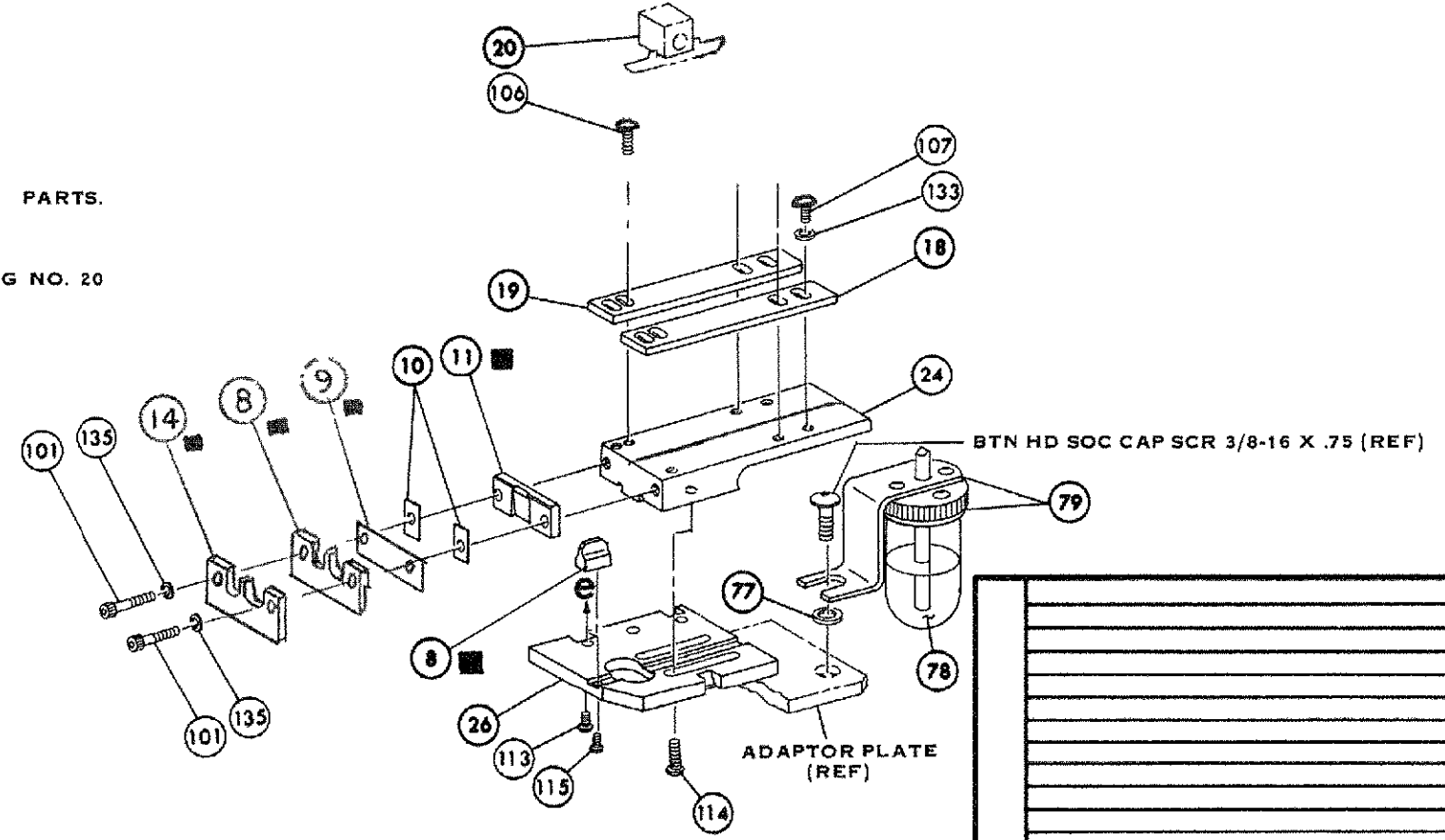


THIS DRAWING IS A CONTROLLED DOCUMENT.



- NOTES:**
- ONLY THE ITEMS WITH QUANTITIES SPECIFIED ON PARTS LIST ARE USED ON THIS APPLICATOR.
  - USED IN PLACE OF ITEM 38 WHEN INSULATION CRIMP IS NOT USED.
  - GUARD MUST BE IN PLACE WHEN OPERATING APPLICATOR IN AMP-O-LECTRIC PRESS.

- KEY:**
- RECOMMENDED SPARE PARTS.
  - LUBRICATE DAILY USING NO. 20 MACHINE OIL.
  - GREASE LIGHTLY.



REQ.	PART NO.	DESCRIPTION	NO.	REQ.	PART NO.	DESCRIPTION	NO.
	162		1	690517-1	SPACER	71	
	161		1	22594-8	HEX, NUT	70	
	160		1	240628-1	PLATE, ADJ	69	
	159		1	240626-1	SHAFT, PIVOT	68	
	158		1	240633-1	BUSHING	67	
	157		1	455680-1	LEVER, INTERMEDIATE	66	
	156		1	240629-1	BLOCK, PIVOT	65	
	155		1	240632-2	SCREW, ADJ	64	
	154		1	240659-3	PIN, CAM ROLLER	63	
	153		1	240658-1	CAM, ROLLER	62	
	152		1	454398-1	ROD, FEED	61	
	151					60	
	150		1	454220-1	CAP, RAM	59	
	149		1	453736-2	HOUSING	58	
	148					57	
	147					56	
	146		1	240624-1	PIN, FEED FINGER	55	
	145		1	691499-1	SPRING, FEED FINGER	54	
	144		1	690584-4	FINGER, FEED	53	
	143		1	240634-1	LEVER, TERMINAL	52	
	142					51	
	141					50	
	140		1	7-21002-9	BOLT, CRIMPER	49	
	139		1	690501-4	CAM, POST FEED 1-5/8 STROKE	48	
	138					47	
	137					46	
	136		1	690191-1	PLUG, NYLON	45	
	135		1	455674-3	RAM	44	
	134		1	690125-1	WASHER, LAMINATED	43	
	133		1	690124-4	WASHER, RAM	42	
	132				SPACER, DISC	41	
	131		2	23241-6	BALL, STEEL	40	
	130		2	690170-1	SPRING, COMPRESSION	39	
	129		1	690142-1	DISC, INSULATION	38	
	128		1	3-69041-2	DISC, WIRE	37	
	127		1	22480-5	WASHER, SPRING	36	
	126		1	690212-1	POST, RAM	35	
	125					34	
	124					33	
	123					32	
	122					31	
	121					30	
	120					29	
	119		1	3-690451-3	SPACER, STRIPPER	28	
	118		1	690455-1	STRIPPER	27	
	117		1	459717-1	PLATE, BASE	26	
	116				DRAG, STUD	25	
	115		1	460331-2	PLATE, STRIP GUIDE	24	
	114				PLATE, STRIP HOLD	23	
	113		1	7-22282-5	SPRING, DRAG	22	
	112		1	240636-1	LEVER, DRAG	21	
	111		1	1-240696-1	DRAG, STOCK SKATE	20	
	110		1	460328-2	GUIDE, STRIP REAR	19	
	109		1	1-454204-2	GUIDE, STRIP FRONT	18	
	108		1	454178-1	GUIDE, FEED ROD	17	
	107		1	4-22284-9	SPRING, FEED RETURN	16	
	106		1	454665-4	ADAPTOR, DRAG	15	
	105		1	693192-1	ANVIL, INSULATION	14	
	104				SPACER, HOLD DOWN	13	
	103				SPRING, HOLD DOWN	12	
	102		1	460329-1	PLATE, REAR SHEAR	11	
	101		2	4-240645-0	SPACER, SHEAR PLATE	10	
	80		1	690619-6	PLATE, SPACER-ANVIL	9	
	79		1	1-690618-8	ANVIL	8	
	78		1	460330-1	BLADE, SLUG	7	
	77				HOLD DOWN	6	
	76				SPACER, SHEAR BLADE	5	
	75		1	238009-8	SPACER, TUBULAR, INS CRIMPER	4	
	74		1	460773-1	CRIMPER, INSULATION	3	
	73		1	455888-6	SPACER, INSULATION	2	
	72		1	459736-2	CRIMPER, WIRE	1	

TERM APPL SPEC 114-2082

CRIMPING DATA				THIS APPLICATOR WILL APPLY
PAD LETTER	CRIMP HEIGHT	WIRE SIZE	WIRE STRIP LENGTH	61350-1
A	.056	16	.187-.217	61350-2
B	.049	18	.187-.217	
C	.045	20	.187-.217	
D	NOT USED			
CRIMP	SIZE	TYPE	FEED	PRESS REF.
WIRE	090	F		
INSULATION	140	F	.535	
INSULATION RANGE	090-130	WIRE RANGE	20-16	APPLICATOR INSTRUCTION #18039
REMARKS	AMPOMATOR (FEED SIDE ONLY)			61958-

REV	DATE	DESCRIPTION	BY	CHK
1				
2				
3				
4				
5				
6				
7				
8				
9				
10				
11				
12				
13				
14				
15				
16				
17				
18				
19				
20				
21				
22				
23				
24				
25				
26				
27				
28				
29				
30				
31				
32				
33				
34				
35				
36				
37				
38				
39				
40				
41				
42				
43				
44				
45				
46				
47				
48				
49				
50				
51				
52				
53				
54				
55				
56				
57				
58				
59				
60				
61				
62				
63				
64				
65				
66				
67				
68				
69				
70				
71				
72				
73				
74				
75				
76				
77				
78				
79				
80				
81				
82				
83				
84				
85				
86				
87				
88				
89				
90				
91				
92				
93				
94				
95				
96				
97				
98				
99				
100				
101				
102				
103				
104				
105				
106				
107				
108				
109				
110				
111				
112				
113				
114				
115				
116				
117				
118				
119				
120				
121				
122				
123				
124				
125				
126				
127				
128				
129				
130				
131				
132				
133				
134				
135				
136				
137				
138				
139				
140				
141				
142				
143				
144				
145				
146				
147				
148				
149				
150				
151				

AMP INCORPORATED HARRISBURG, PENNA.

LOC A C 466026-1

SCALE NONE

NAME HD MINIATURE QUICK CHANGE APPLICATOR END-FEED (.187 SERIES PIGGY-BACK FLAG FASTON)

CASE CODE 00779 CUSTOMER AND ASSEMBLY DRAWING