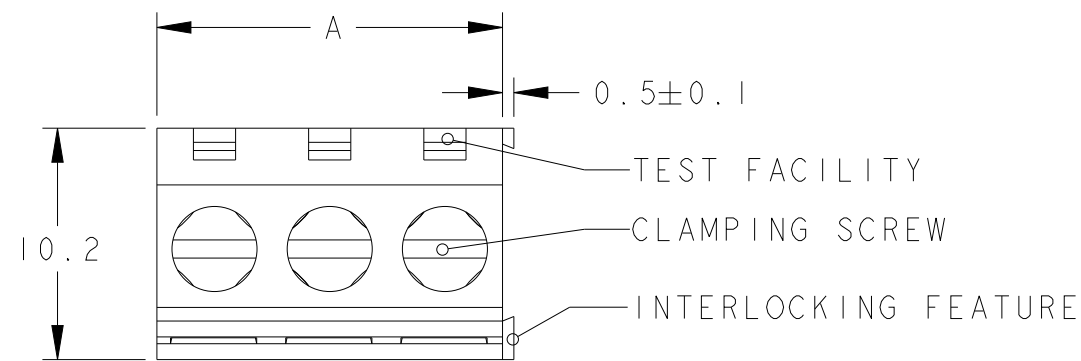
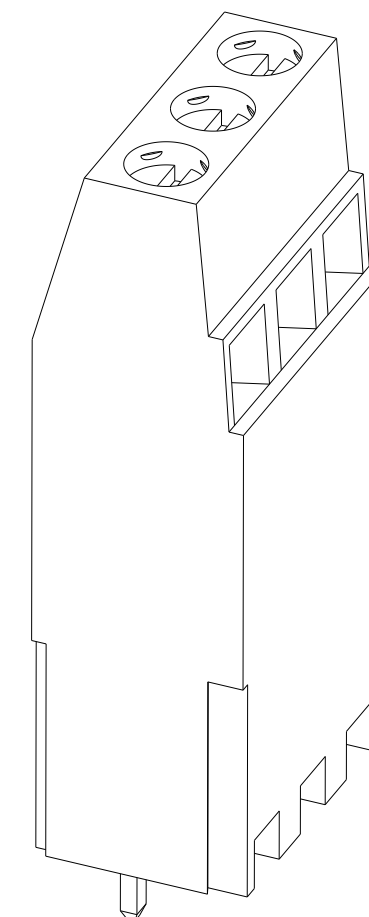


P	LTR	DESCRIPTION	DATE	DWN	APVD
D		REVISED PER ECO-14-016226	31OCT2014	NK	MM
DI		PART STATUS UPDATED	27DEC2021	SCB	PS

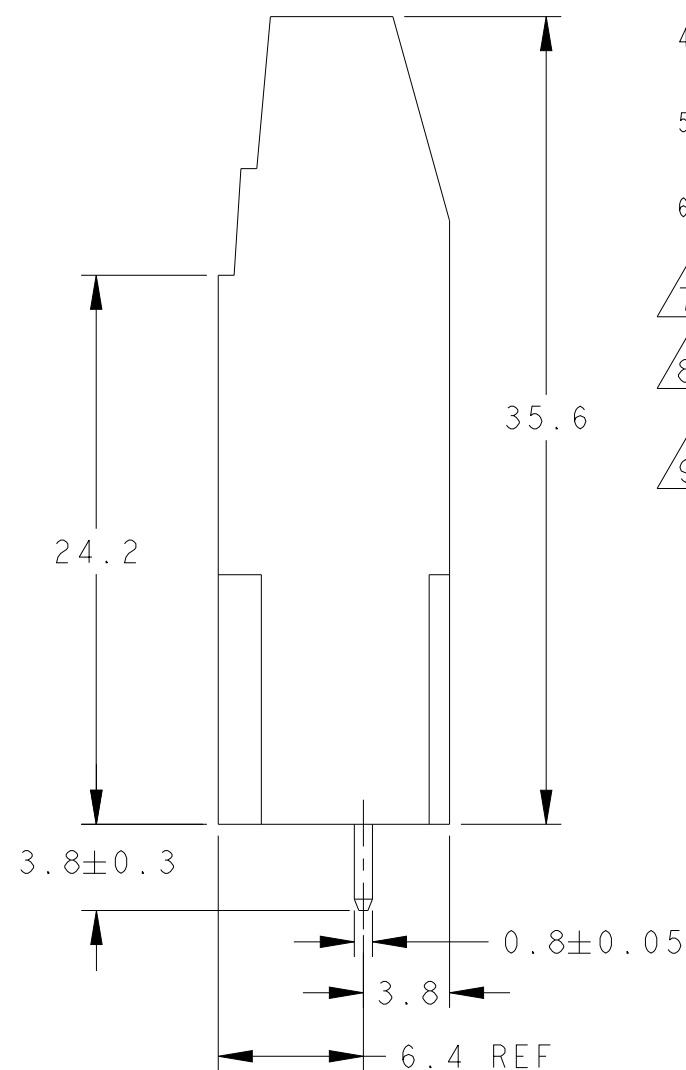


- 1 MATERIALS AND FINISH
HOUSING: PA 6-6, UL 94-V0, COLOR GREEN.
CLAMP: BRASS, NICKEL PLATED.
TERMINAL: BRASS, TIN PLATED.
CLAMPING SCREW: M3, BRASS, NICKEL PLATED.
- 2 SUITABLE FOR 1,6-2,4mm PC BOARD THICKNESS.
- 3 END-TO-END STACKABLE W/INTERLOCK WITHOUT LOSS OF CENTERLINE SPACING.
- 4 WIRE SIZE RANGE
12 - 30 AWG
- 5 RECOGNIZED UNDER THE COMPONENT PROGRAM OF UNDERWRITERS LABORATORIES INC., FILE N° E60677.
- 6 IMQ CERTIFICATE WITH SURVEILLANCE IN CONFORMITY WITH IEC 998-1/998-2-1.

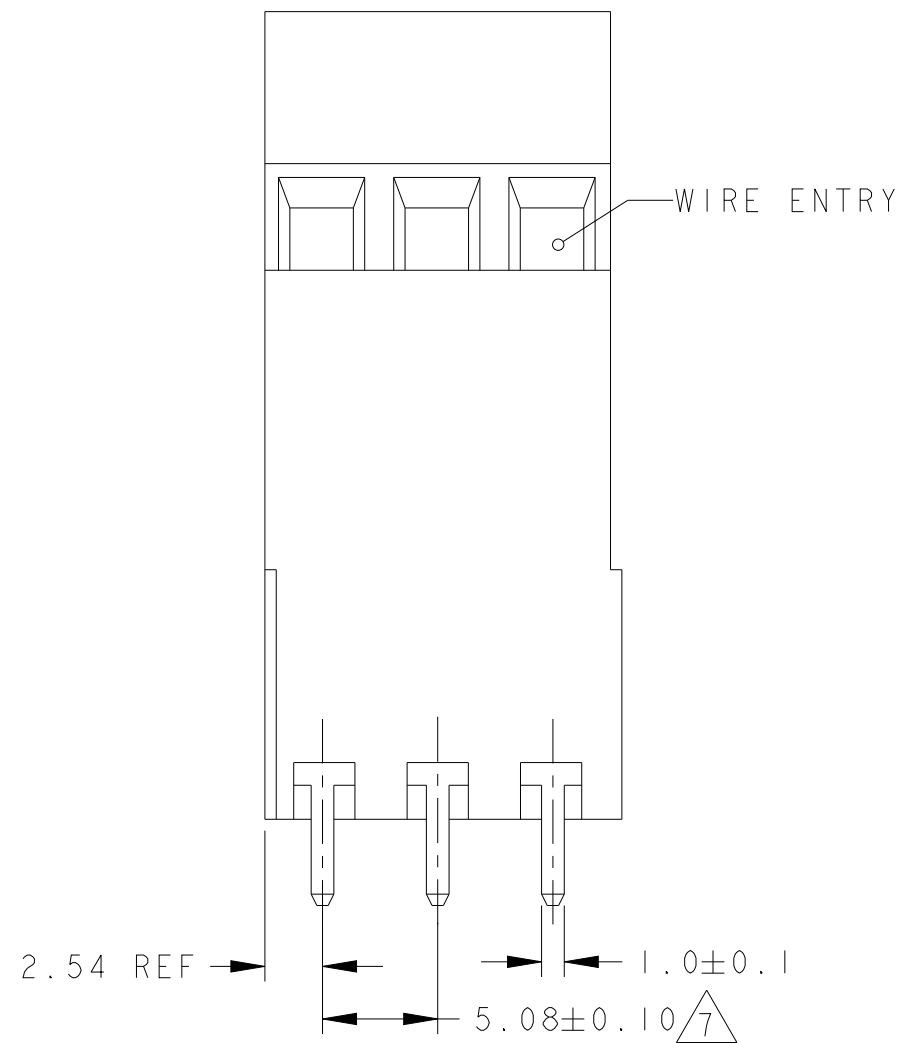
- 7 NOT CUMULATIVE TOLERANCE.
- 8 SPECIAL INK MARKING, BLACK COLOR (SEE DETAIL)
- 9 OBSOLETE



282905-3 AS SHOWN

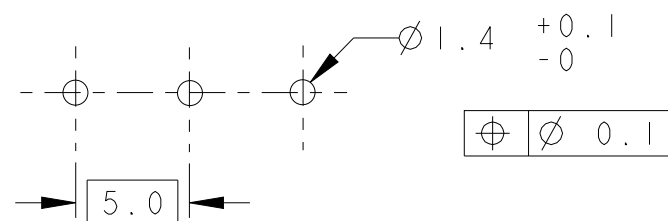


2-282905-2 AS SHOWN



DIM. A	NO OF POS.	PART NUMBER
10.16	2	2-282905-2
15.24	3	282905-3
10.16	2	282905-2

RECOMMENDED PC BOARD LAYOUT



THIS DRAWING IS A CONTROLLED DOCUMENT.

DWN	E. ZANOLINI	07NOV2001
CHK	D. BIEVENOUR	07NOV2001
APVD	D. BIEVENOUR	07NOV2001
PRODUCT SPEC	108-20166	
APPLICATION SPEC	114-20079	
WEIGHT	-	

STE TE Connectivity

NAME: TERMINAL BLOCK, PCB MOUNT
3RD LEVEL
STACKING W/INTERLOCK, 5.08mm. PITCH

SIZE	CAGE CODE	DRAWING NO	RESTRICTED TO
A3	-	C-282905	-

CUSTOMER DRAWING

SCALE: 3:1 SHEET 1 OF 1 REV DI