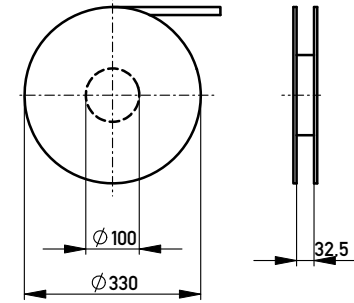
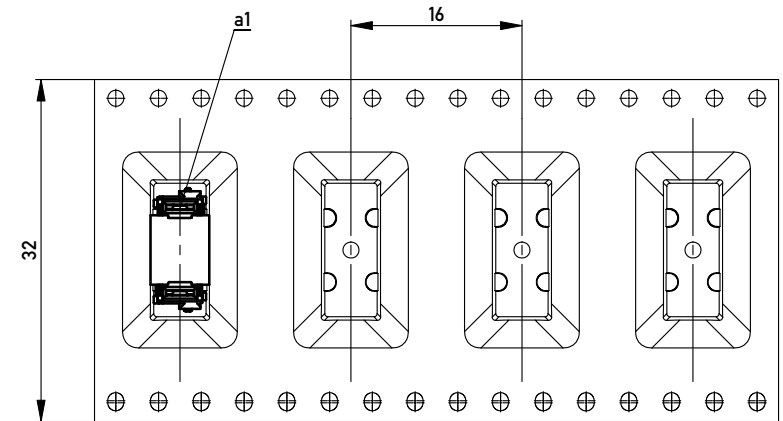
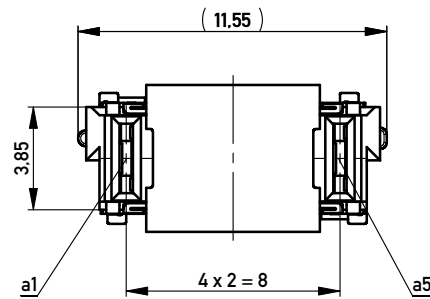


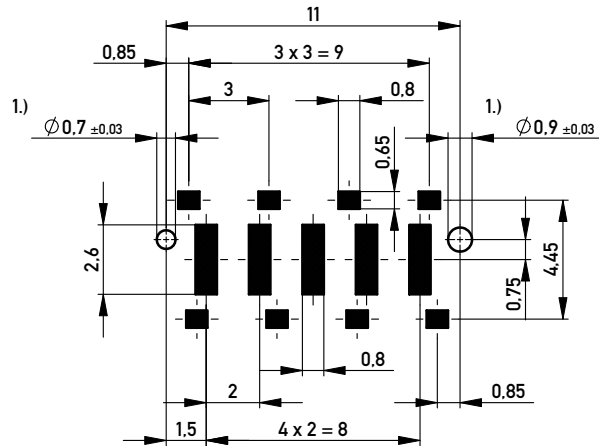
Verpackt in Gurtverpackung - *Tape on Reel Packaging*  
 Verpackungseinheit: 420 Stück - *Packaging unit: 420 pcs*



Abspulrichtung - *Reel off Direction* →



Leiterplatten-Layout Vorschlag / *PCB-Layout Proposal*



1.) Durchmesser des Bohrers / *Drill tool*

Anforderungsstufe 1  
*Performance Level 1*

Kontaktbereich vergoldet  
*Mating Area gold plating*

Anschlussbereich verzinkt 4-6µm  
*Terminal Area 4-6µm tin plating*

Koplanarität der Anschlüsse ≤ 0.1mm  
*Coplanarity Area of Termination ≤ 0.1mm*

Copyright by ERNI GmbH  
 Proprietary notice pursuant to ISO 16106 to be observed.

|                                                                                                                                                              |            |                      |  |                                                                            |     |
|--------------------------------------------------------------------------------------------------------------------------------------------------------------|------------|----------------------|--|----------------------------------------------------------------------------|-----|
| Information:                                                                                                                                                 |            | Tolerances           |  | Scale                                                                      | 5:1 |
| All rights reserved. Only for Information. To ensure that this is the latest version of this drawing, please contact one of the ERNI companies before using. |            | All Dimensions in mm |  | Designation                                                                |     |
| Subject to modification without prior notice. Drawing will not be updated.                                                                                   |            |                      |  | <b>Federleiste SMD, Powerm. 6mm</b><br><b>Female Con. SMD, Powerm. 6mm</b> |     |
| f                                                                                                                                                            | 12.10.2010 | www.ERNI.com         |  | 214547                                                                     |     |
| Index                                                                                                                                                        | Date       | Class                |  | MSPEED                                                                     |     |
|                                                                                                                                                              |            |                      |  | I                                                                          |     |
|                                                                                                                                                              |            |                      |  | A3                                                                         |     |