



20DMWE4_1.5 series

20W - Single Output - Ultra Wide Input - Isolated & Regulated DC-DC Converter

DC-DC Converter 20 Watt

- ⊕ Wide 4:1 input voltage range
- ⊕ High efficiency up to 91%
- ⊕ Short circuit protection (SCP)
- ⊕ Isolation voltage: 1.5kVDC
- ⊕ 20W DIL PACKAGE
- ⊕ RoHS compliant
- ⊕ IEC62368, UL62368, EN62368 approved
- ⊕ Operating temperature range: -40°C to +105°C
- ⊕ Int. standard pin-out
- ⊕ Input under-voltage, output over-current, over-voltage protection
- ⊕ Chassis and rail mounting
- ⊕ Products featuring anti-reverse connection for input

The 20DMWE4_1.5 series are isolated 20W DC/DC products with 4:1 input voltage. They feature efficiency up to 91%, 1500VDC isolation, operating temperature of -40°C to +105°C, input under-voltage protection, output over-voltage, output over-current, output short circuit protection, which make them widely applied in industrial control, electric power, instruments and communication fields.

The extension packages chassis mounting and rail mounting also enable them with reverse voltage protection.



UL-62368-1 (E347551)

Common specifications

Short circuit protection:	Hiccup, continuous, self recovery
Cooling:	Free air convection
Operation temperature range:	• 3.3V/5V: -40°C~+95°C • Others: -40°C~+105°C
Storage temperature range:	-55°C~+125°C
Lead temperature:	300°C MAX, 1.5mm from case for 10 sec.
Storage humidity range:	5%-95% MAX, non-condensing
Safety standards:	EN 60950-1, IEC 60950-1
Vibration and thermal shock:	10-150Hz, 5G, 0.75mm. along X, Y and Z
Case material:	Aluminium alloy
MTBF (MIL-HDBK-217F @25°C):	1000 Khours
Weight:	15g (horizontal) 35g (chassis mounting) 55g (rail mounting)

Output specifications

Item	Test condition	Min	Typ	Max	Units
Voltage accuracy	0%-100% load		±1	±3	%
Line regulation	Vmin to Vmax		±0.2	±0.5	%
Load regulation	5% -100% load		±0.5	±1.0	%
Temperature drift	Vout			±0.03	%/°C
Ripple and noise*	20MHz Bandwidth, 5% -100% load		50	100	mVp-p
Transient recovery time	25% load step change		300	500	µs
Transient response deviation	25% load step change • 3.3/5V output • others		±5 ±3	±8 ±5	%
Trim	Input voltage range	90		110	%Vo
Over voltage protection	Input voltage range	110		160	%Vo
Over current protection	Input voltage range	110	150	190	%Io
Switching frequency	PWM mode • 3.3/5V output • others		300 270		KHz

* 0%-5% load ripple&noise is no more than 5%Vo. Ripple and noise are measured by "parallel cable" method, please see DC-DC Converter Application Notes for specific operation.

Input specifications

Item	Test condition	Min	Typ	Max	Units
Input reflected ripple current	Nominal input series		30		mA
Input surge voltage (100ms max.)	• 24V • 48V	-0.7		50 100	V
Start-up voltage	• 24V • 48V			9 18	VDC
Under voltage protection	• 24V • 48V	5.5 12	6.5 15.5		VDC
Starting time	Nominal input voltage & constant resistance load		10		ms
Input filter	Pi filter				
Hot plug	Unavailable				
Ctrl*	• Module switch: ON • Module switch: OFF • Input current when switched off				Ctrl pin open or pulled high (TTL 3.5-12VDC) Ctrl pin pulled low to GND (0-1.2VDC) 2 7 mA

* The voltage of Ctrl pin is relative to input pin GND.

Isolation specifications

Item	Test condition	Min	Typ	Max	Units
Isolation voltage	test time 1min/ leak current <1mA • Input-output • Input/output case	1500 1000			VDC VDC
Isolation resistance	Test at 500VDC	1000			MΩ
Isolation capacitance			2000		pF

Example:

20DMWE4_2415S1.5

20 = 20Watt; D = DIP; M = series; W4 = wide input (4:1) 9-36Vin; 15Vout; E = Economy; S = single output; 1.5 = 1500VDC isolation

Note:

1. Only typical model listed. Non-standard models will be different from the above, please contact us for more details.
2. All specifications are measured at TA = 25°C, humidity <75%, nominal input voltage and rated output load unless otherwise specified.
3. In this datasheet, all the test methods of indications are based on corporate standards.

20DMWE4_1.5 series

20W - Single Output - Ultra Wide Input - Isolated & Regulated DC-DC Converter

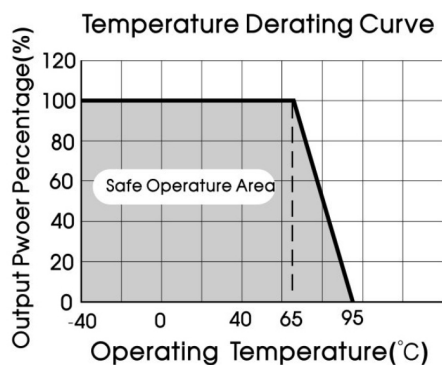
EMC specifications				
EMI	CE	CISPR32/EN55032	CLASS B	(External Circuit Refer to EMC recommended circuit, ②)
EMI	RE	CISPR32/EN55032	CLASS B	(External Circuit Refer to EMC recommended circuit, ②)
EMS	ESD	IEC/EN61000-4-2	Contact ±6KV, Air ±8KV	perf. Criteria B
EMS	RS	IEC/EN61000-4-3	10V/m	perf. Criteria A
EMS	EFT	IEC/EN61000-4-4	±2KV	perf. Criteria B (External Circuit Refer to recommended circuit, ①)
EMS	Surge	IEC/EN61000-4-5	line to line ±2KV	perf. Criteria B (External Circuit Refer to recommended circuit, ①)
EMS	CS	IEC/EN61000-4-6	3 Vr.m.s	perf. Criteria A

6

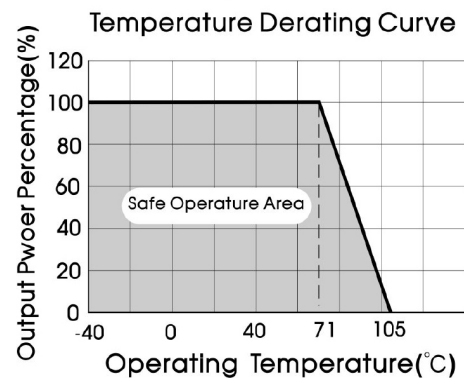
Part Number	Input Voltage [VDC]			Input Current [mA, typ/max]		Output Voltage [VDC]	Output Current [mA]	Efficiency [%, Typ.]	Capacitor load [μF, Max]
	Nominal	Range	Max	no load	full load				
20DMWE4_2403S1.5	24	9-36	40	30/50	782/800	3.3	5000	88	1000
20DMWE4_2405S1.5	24	9-36	40	35/55	926/947	5	4000	90	1000
20DMWE4_2406S1.5	24	9-36	40	35/55	926/947	6	3333	89	1000
20DMWE4_2412S1.5	24	9-36	40	6/15	926/947	12	1667	90	1600
20DMWE4_2415S1.5	24	9-36	40	6/15	916/937	15	1333	91	1000
20DMWE4_2424S1.5	24	9-36	40	10/20	916/937	24	833	91	500
20DMWE4_4803S1.5	48	18-75	80	15/30	391/400	3.3	5000	88	1000
20DMWE4_4805S1.5	48	18-75	80	20/30	463/474	5	4000	90	1000
20DMWE4_4812S1.5	48	18-75	80	3/15	458/469	12	1667	91	1600
20DMWE4_4815S1.5	48	18-75	80	3/15	458/469	15	1333	91	1000
20DMWE4_4824S1.5	48	18-75	80	4/15	458/469	24	833	91	500

Temperature derating curve

Nominal input voltage, 3.3V, 5V output



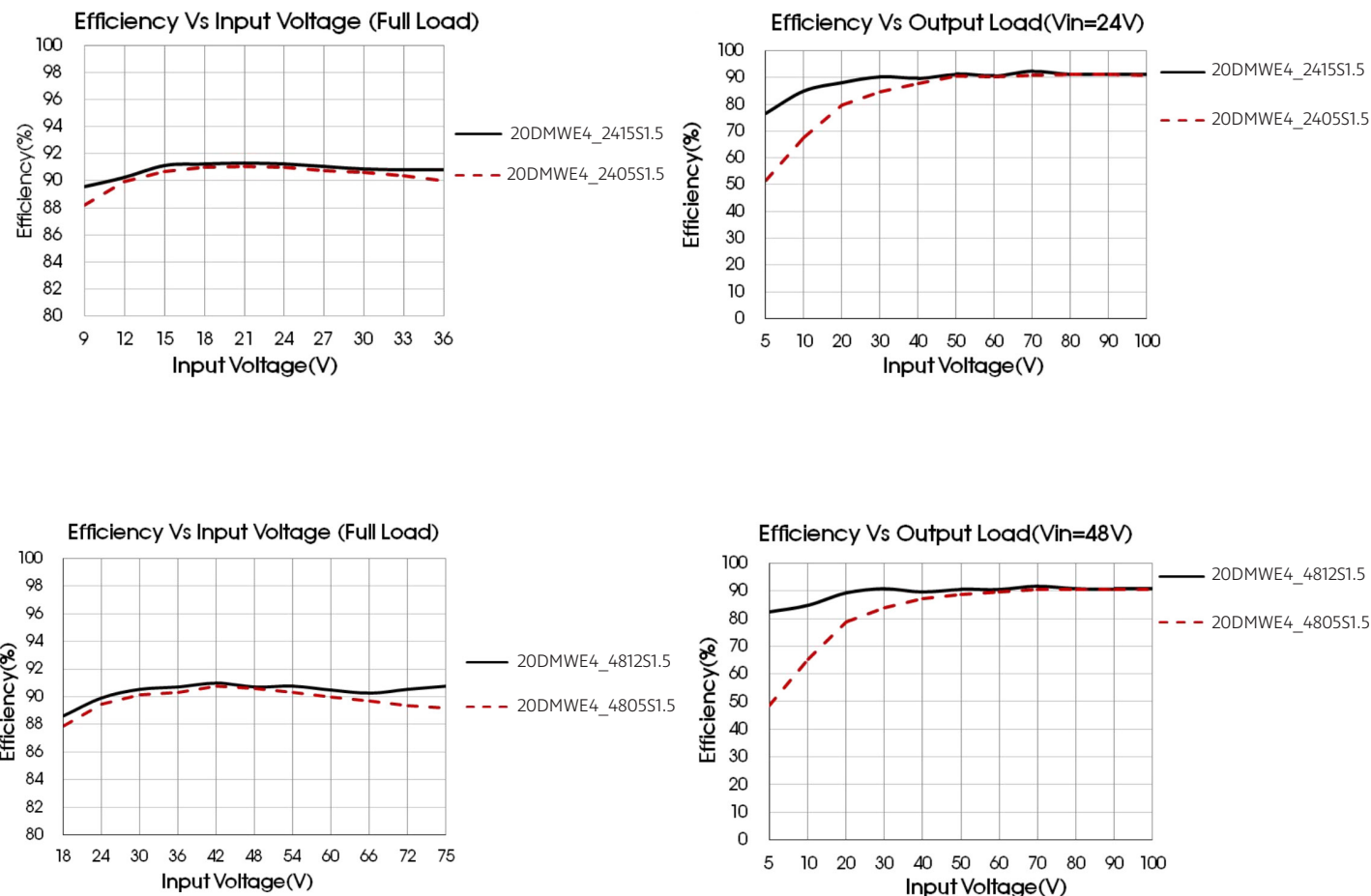
Nominal input voltage, 12V, 15V, 24V output



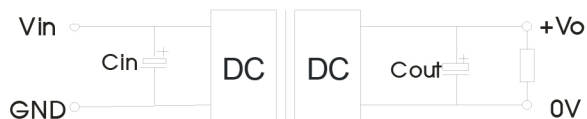
20DMWE4_1.5 series

20W - Single Output - Ultra Wide Input - Isolated & Regulated DC-DC Converter

Mechanical dimensions

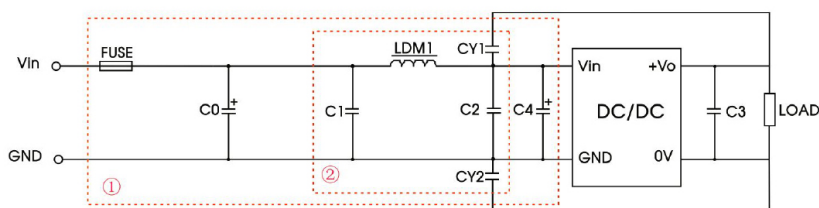


Typical application



Vout (VDC)	Cin (μF)	Cout (μF)
3.3/5/12/15	100	100
24		47

EMC solution-recommended circuit



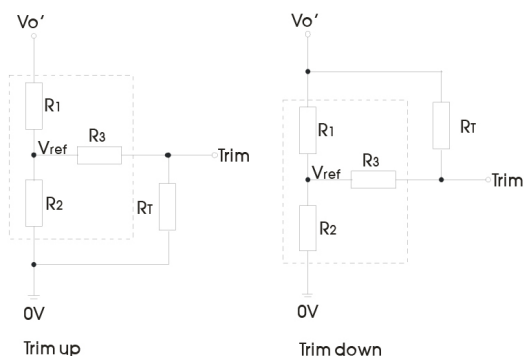
Model	Vin: 12V, 24V	Vin: 48V
FUSE	Choose according to actual input current	
C0, C4	330μF/50V	330μF/100V
C1, C2	4.7μF/50V	4.7μF/100V
C2	Refer to the Cout in Typical application	
LDM1	2.2μH	
CY1/CY2	1nF/2KV	

Part ① in the is used for EMC test and part ② for EMI filtering; selected based on needs.

20DMWE4_1.5 series

20W - Single Output - Ultra Wide Input - Isolated & Regulated DC-DC Converter

Application of trim and calculation of trim resistance



Applied circuits of Trim (Part in broken line is the interior of models)

Calculation formula of Trim resistance:

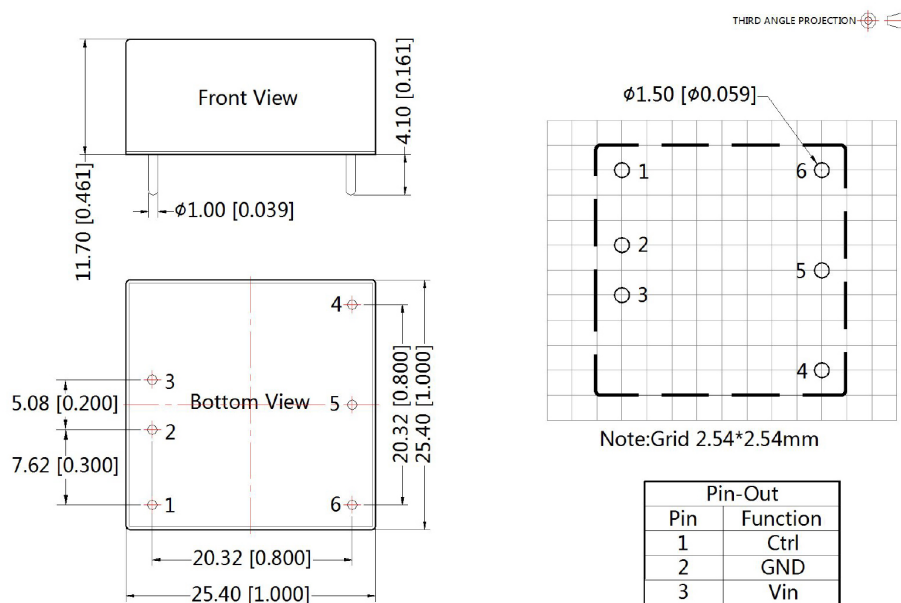
$$\begin{aligned} \text{up: } R_T &= \frac{\alpha R_2}{R_2 - \alpha} - R_3 & \alpha &= \frac{V_{ref}}{V_{o'} - V_{ref}} \cdot R_1 \\ \text{down: } R_T &= \frac{\alpha R_1}{R_1 - \alpha} - R_3 & \alpha &= \frac{V_{o'} - V_{ref}}{V_{ref}} \cdot R_2 \end{aligned}$$

R_T is Trim resistance
 α is a self-defined parameter, with no real meaning.

Vout(V)	R1(K Ω)	R2(K Ω)	R3(K Ω)	Vref(V)
3.3	4.829	2.87	15	1.24
5	2.894	2.87	10	2.5
12	11.000	2.87	17.4	2.5
15	14.494	2.87	17.4	2.5
24	24.872	2.87	20	2.5

It is not allowed to connect modules output in parallel to enlarge the power.

Mechanical dimensions



Note:
 Unit: mm[inch]
 Pin diameter tolerances: $\pm 0.10[\pm 0.004]$
 General tolerances: $\pm 0.50[\pm 0.020]$

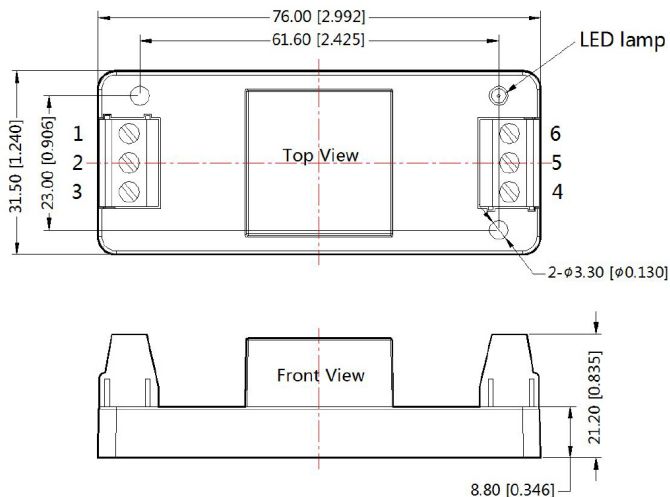
Pin-Out	
Pin	Function
1	Ctrl
2	GND
3	Vin
4	+Vo
5	Trim
6	0V

20DMWE4_1.5 series

20W - Single Output - Ultra Wide Input - Isolated & Regulated
DC-DC Converter

Chassis mounting

THIRD ANGLE PROJECTION 

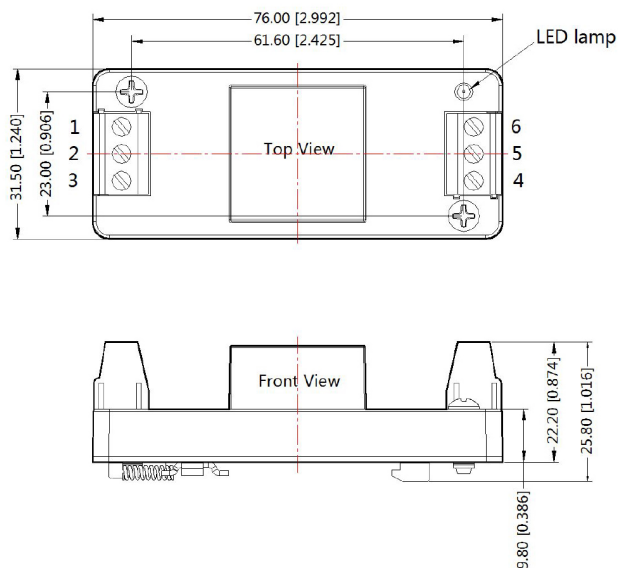


Pin-Out						
Pin	1	2	3	4	5	6
Function	Ctrl	GND	Vin	+Vo	Trim	0V

Note:
Unit: mm[inch]
Wire range: 24-12 AWG
Tightening torque: Max 0.4 N·m
General tolerances: $\pm 1.00[\pm 0.039]$

Rail mounting

THIRD ANGLE PROJECTION 



Pin-Out						
Pin	1	2	3	4	5	6
Function	Ctrl	GND	Vin	+Vo	Trim	0V

Note:
Unit: mm[inch]
Wire range: 24-12 AWG
Tightening torque: Max 0.4 N·m
Mounting rail: TS35
General tolerances: $\pm 1.00[\pm 0.039]$