

THIS DRAWING IS UNPUBLISHED.

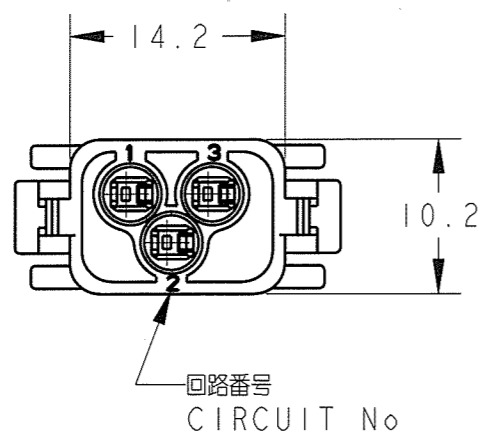
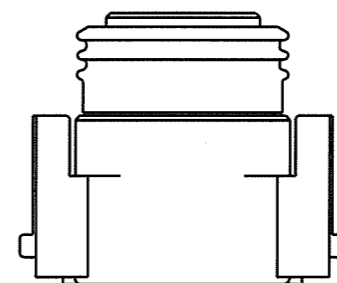
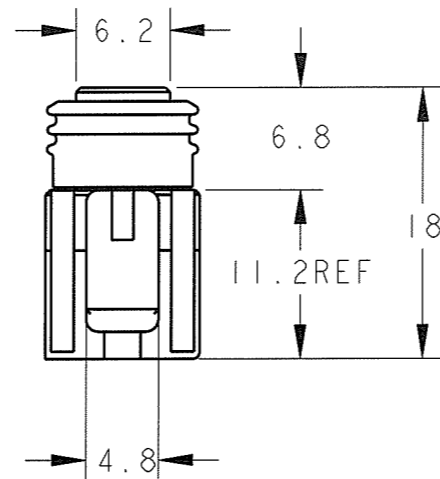
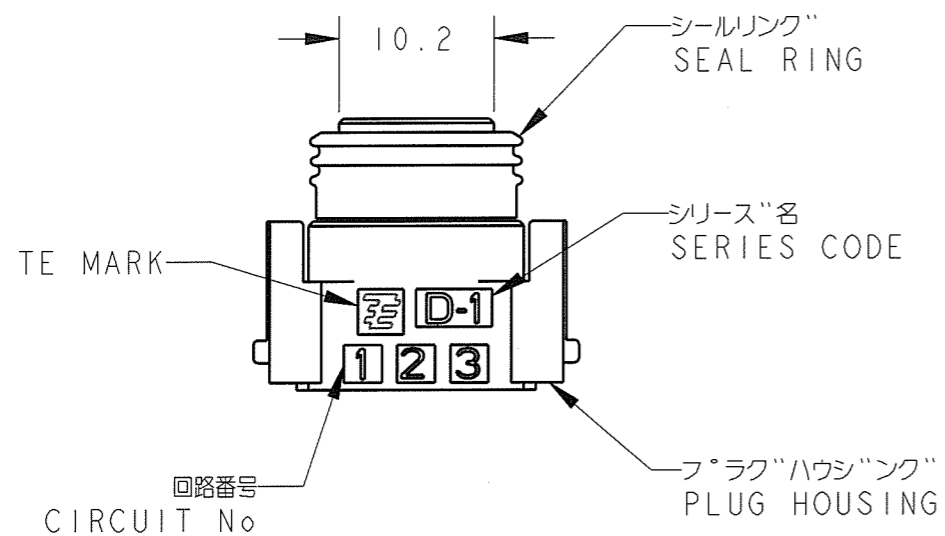
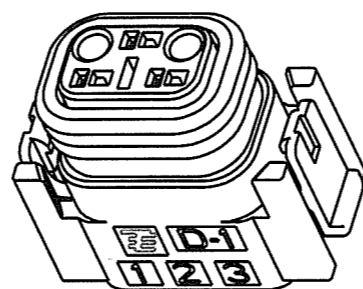
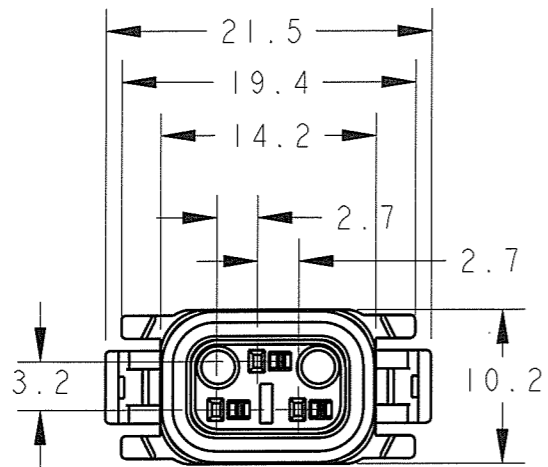
RELEASED FOR PUBLICATION

20

© COPYRIGHT 20 BY TYCO ELECTRONICS CORPORATION. ALL RIGHTS RESERVED.

| LOC | DIST | REVISIONS |     |             |           |     |      |
|-----|------|-----------|-----|-------------|-----------|-----|------|
|     |      | P         | LTR | DESCRIPTION | DATE      | DWN | APVD |
| J   | -    |           | A   | RELEASED    | 03DEC2008 | T.S | A.O  |
|     |      |           |     |             |           |     |      |
|     |      |           |     |             |           |     |      |

AS SHOWN: 2013891-1



注記

- 材料: フラックハウジング: 熱可塑性ポリエステル樹脂 黒色  
シールリング: シリコン 色: 黒色
- 嵌合相手型番: キャップハウジング 3P P/No 2013892-1

NOTES

- MATERIAL  
: PLUG HOUSING: GLASS FIELD THERMO PLASTIC POLYESTER, COLOR: BLACK  
: SEAL RING: SILICON, COLOR: BLACK
- MATING CONN: CAP HSG 3P P/No 2013892-1

|  |  |                                 |   |  |
|--|--|---------------------------------|---|--|
| THIS DRAWING IS A CONTROLLED DOCUMENT FOR TYCO ELECTRONICS CORPORATION<br>IT IS SUBJECT TO CHANGE AND THE CONTROLLING ENGINEERING ORGANIZATION<br>SHOULD BE CONTACTED FOR THE LATEST REVISION. |  | DWN<br>T. Sakamoto<br>03DEC2008 | Tyco Electronics Corporation<br>Kawasaki, Japan                             |  |
| DIMENSIONS:<br>mm  |  | CHK<br>A. Ooishi<br>03DEC2008   | NAME<br>PLUG HSG 3P ASSY<br>FAN MOTOR CONNECTOR<br><DYNAMIC D-1 WATERPROOF> |  |
| TOLERANCES UNLESS OTHERWISE SPECIFIED:<br>0 PLC ± ±0.3<br>1 PLC ± ±0.3<br>2 PLC ± ±3°<br>3 PLC ± ±<br>4 PLC ± ±<br>ANGLES ± ±  |  | APVD<br>A. Ooishi<br>03DEC2008  | SIZE<br>A300779   |  |
| MATERIAL   |  | PRODUCT SPEC<br>108-78519       | DRAWING NO<br>C=2013891   |  |
| FINISH   |  | APPLICATION SPEC<br>114-5377    | RESTRICTED TO   |  |
|  |  | WEIGHT                          | SCALE 2:1   |  |
|  |  | CUSTOMER DRAWING                | SHEET 1 OF 1 REV A  |  |