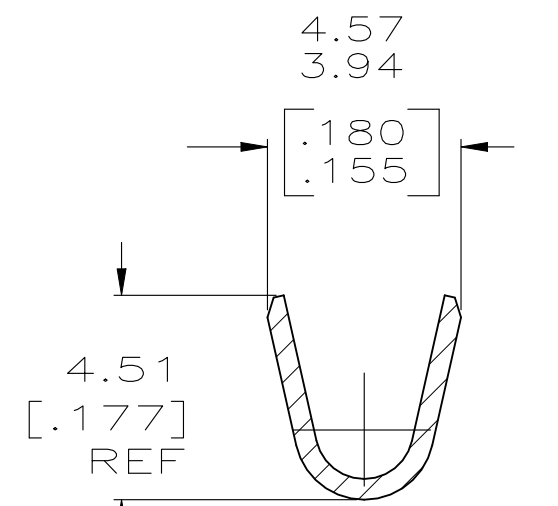
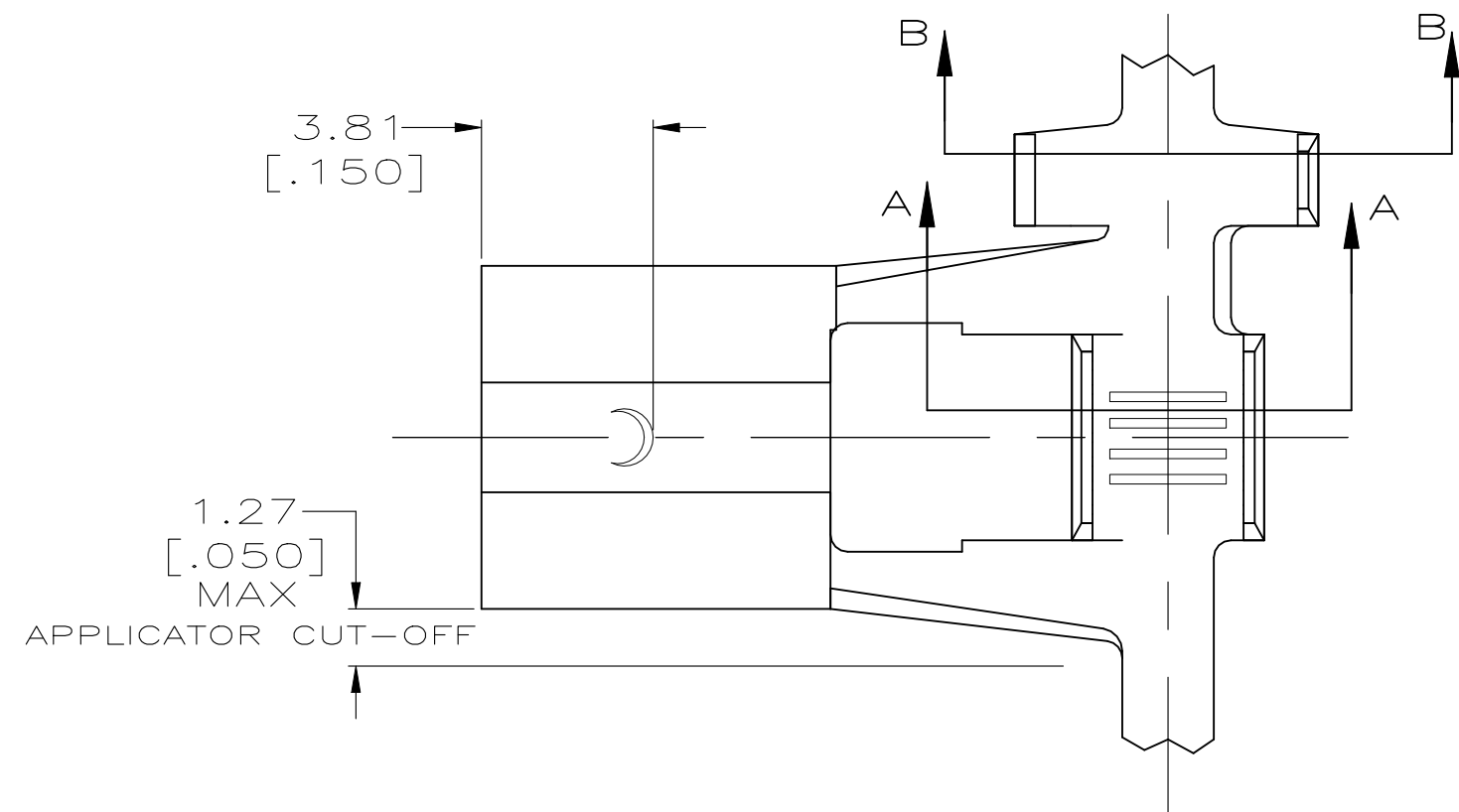


THIS DRAWING IS UNPUBLISHED. RELEASED FOR PUBLICATION  
 © COPYRIGHT - By - ALL RIGHTS RESERVED.

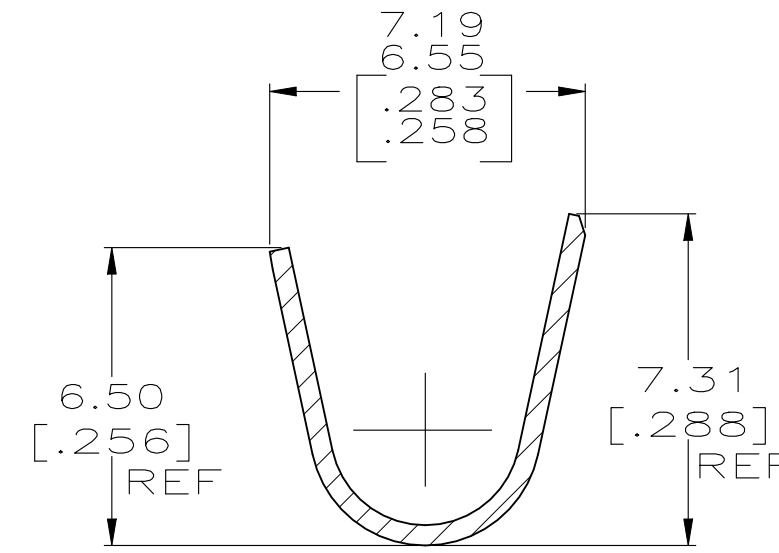
LOC AF DIST 50

REVISIONS					
P	LTR	DESCRIPTION	DATE	DWN	APVD
C		REVISED PER ECR-12-013518	26NOV2012	KH	PD
C1		REVISED PER ECR-22-150321	24AUG2022	VA	ZC

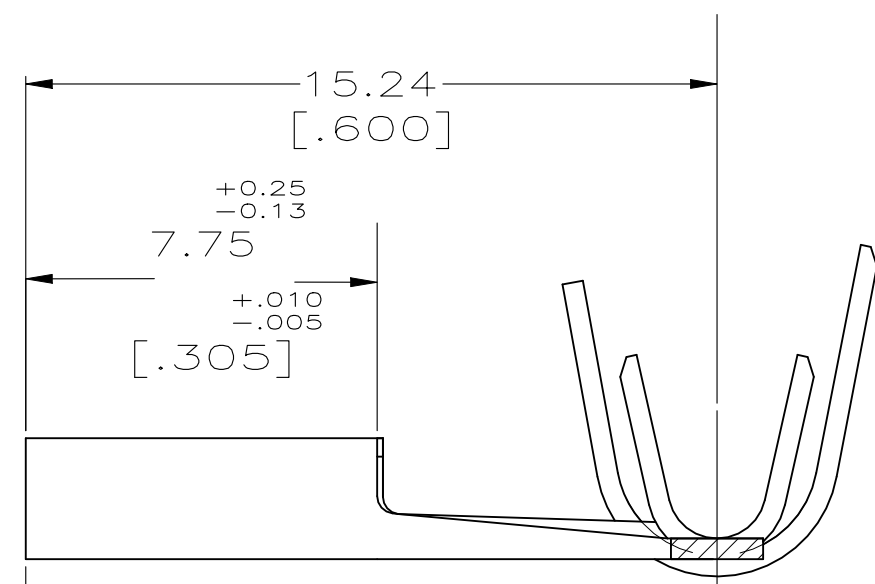
- 1 CONTINUOUS STRIP ON REELS
- 2 MATING TAB THK TO BE 0.813±0.025 [.032±.001].
- 3 WIRE SIZE IS [#16-#12] AWG.
- 4 INSULATION RANGE IS 3.05-4.32 [.120-.170] DIA.



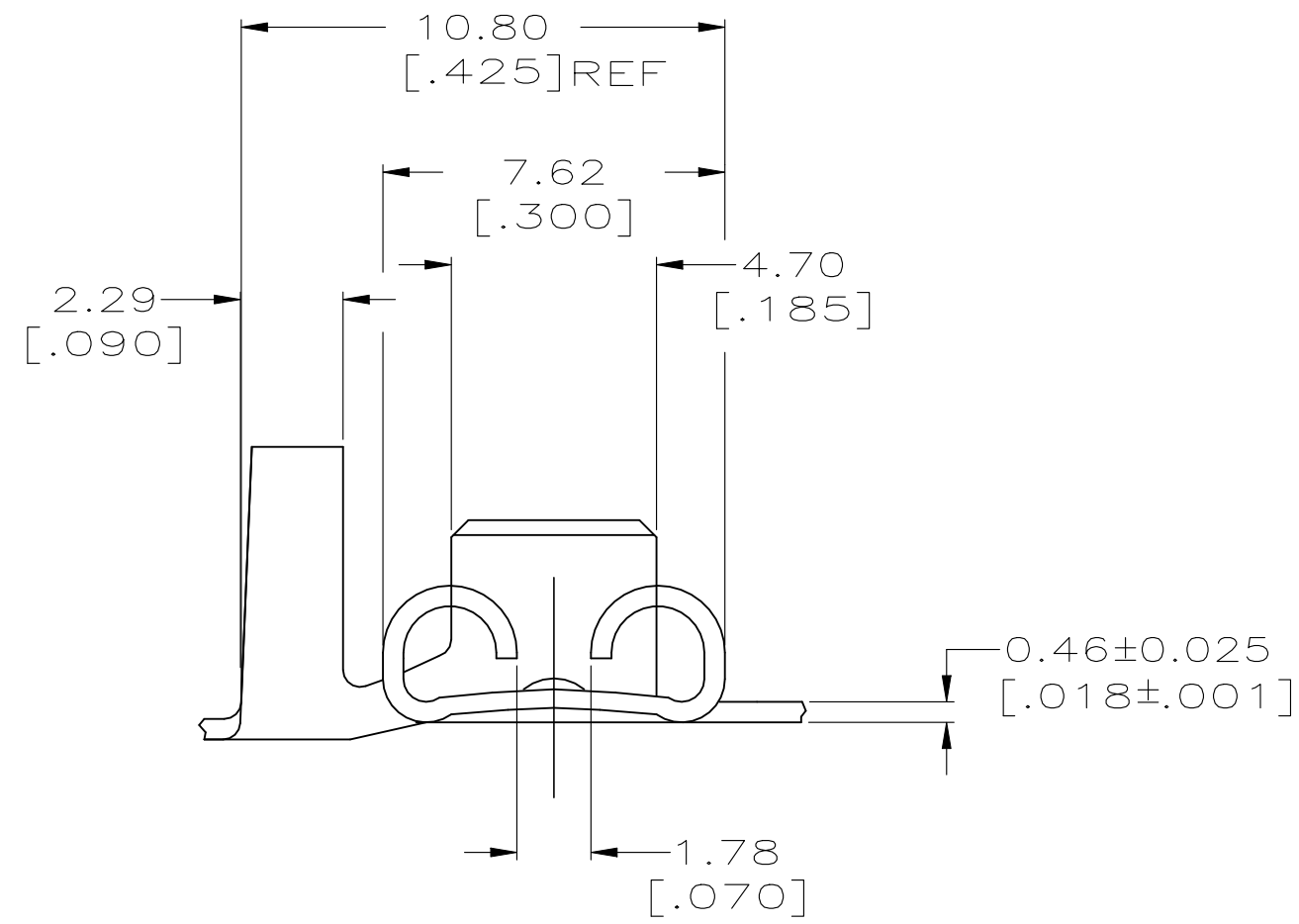
SECTION A-A



SECTION B-B



17.78 [.700]  
 MAX AFTER CRIMP



1742718-1

PART NO.

THIS DRAWING IS A CONTROLLED DOCUMENT.		DWN JR RUTH 18JUL08	TE Connectivity RECEPTACLE , FASTON , FLAG, MOLDABLE, 6.35 [.250] SERIES					
DIMENSIONS: mm [INCHES]		CHK MS FEHER 18JUL08				NAME	SIZE	CAGE CODE
TOLERANCES UNLESS OTHERWISE SPECIFIED: 0 PLC ± - 1 PLC ± - 2 PLC ± 0.25 [.010] 3 PLC ± - 4 PLC ± - ANGLES ± -		APVD P DESANTIS 18JUL08				APPLICATION SPEC	DRAWING NO	RESTRICTED TO
MATERIAL BRASS		FINISH TIN				WEIGHT -	A2 00779	REV C1
CUSTOMER DRAWING			SCALE 6:1	SHEET 1 of 1				