

## Network cable - VS-M12FSBP-OE-94B-LI/0,5 - 1401057

Please be informed that the data shown in this PDF Document is generated from our Online Catalog. Please find the complete data in the user's documentation. Our General Terms of Use for Downloads are valid (<http://phoenixcontact.com/download>)



Assembled Ethernet cable, shielded, 4-pair, AWG 26 stranded (7-wire), RAL 5021 (sea blue), M12 flush-type socket, rear wall/screw mounting with M16 thread on free cable end, line, length 0.5 m


### Your advantages

- ✓ Pre-assembled with cables in various standard lengths for immediate use
- ✓ Customer-specific assemblies and cable lengths can be supplied
- ✓ Sealed on the cable side for optimum tightness of seal
- ✓ Cable designs for all common networks and fieldbuses
- ✓ For high transmission safety: shield connection to the housing with optional EMC nut



**Ethernet**

### Key Commercial Data

Packing unit	1 pc
Minimum order quantity	50 pc
GTIN	 4 046356 520942
GTIN	4046356520942

### Technical data

#### Mechanical characteristics

Number of positions	8
Shielded	yes
Insertion/withdrawal cycles	≥ 100
Cable diameter	6.40 mm
Cable outlet	straight
Cable structure	4x2xAWG26/7; S-UTP
Length of cable	0.5 m
Insulation resistance	≥ 100 MΩ
Degree of protection	IP67
	IP65/IP67

# Network cable - VS-M12FSBP-OE-94B-LI/0,5 - 1401057

## Technical data

### Mechanical characteristics

No. of cable outlets	1
Type of note	Notes on operation
Note	The electrical and mechanical data specified assume that the connector pair is correctly locked and mounted. If the connector is unlocked and if there is a danger of contamination, the connector must be sealed using a protective cap > IP54. Influences arising from litz wires, cables or PCB assembly must also be taken into consideration.

### Ambient conditions

Ambient temperature (operation)	-25 °C ... 85 °C (Plug / socket)
	-40 °C ... 85 °C (without mechanical actuation)
	-25 °C ... 85 °C (cable, flexible installation)
	-40 °C ... 85 °C (cable, fixed installation)
Degree of protection	IP67
	IP67

### Material data

Flammability rating according to UL 94	V0
Contact material	CuZn
Contact surface material	Ni/Au
Sealing material	FKM
Outer sheath, material	PUR
External sheath, color	water blue RAL 5021

### Electrical characteristics

Rated surge voltage	0.8 kV
Insulation resistance	≥ 100 MΩ

### Standards and Regulations

Flammability rating according to UL 94	V0
--	----

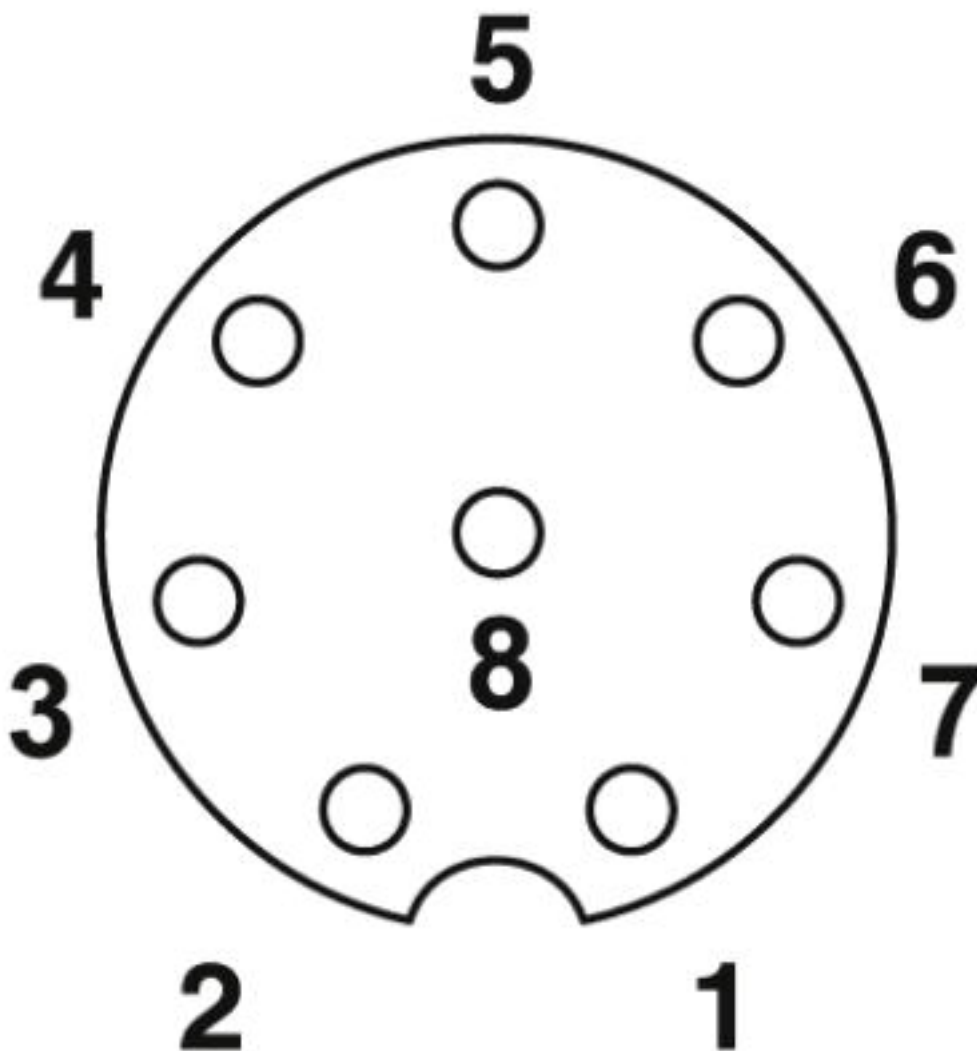
### Environmental Product Compliance

	Lead 7439-92-1
China RoHS	Environmentally Friendly Use Period = 50
	For details about hazardous substances go to tab "Downloads", Category "Manufacturer's declaration"

## Drawings

# Network cable - VS-M12FSBP-OE-94B-LI/0,5 - 1401057

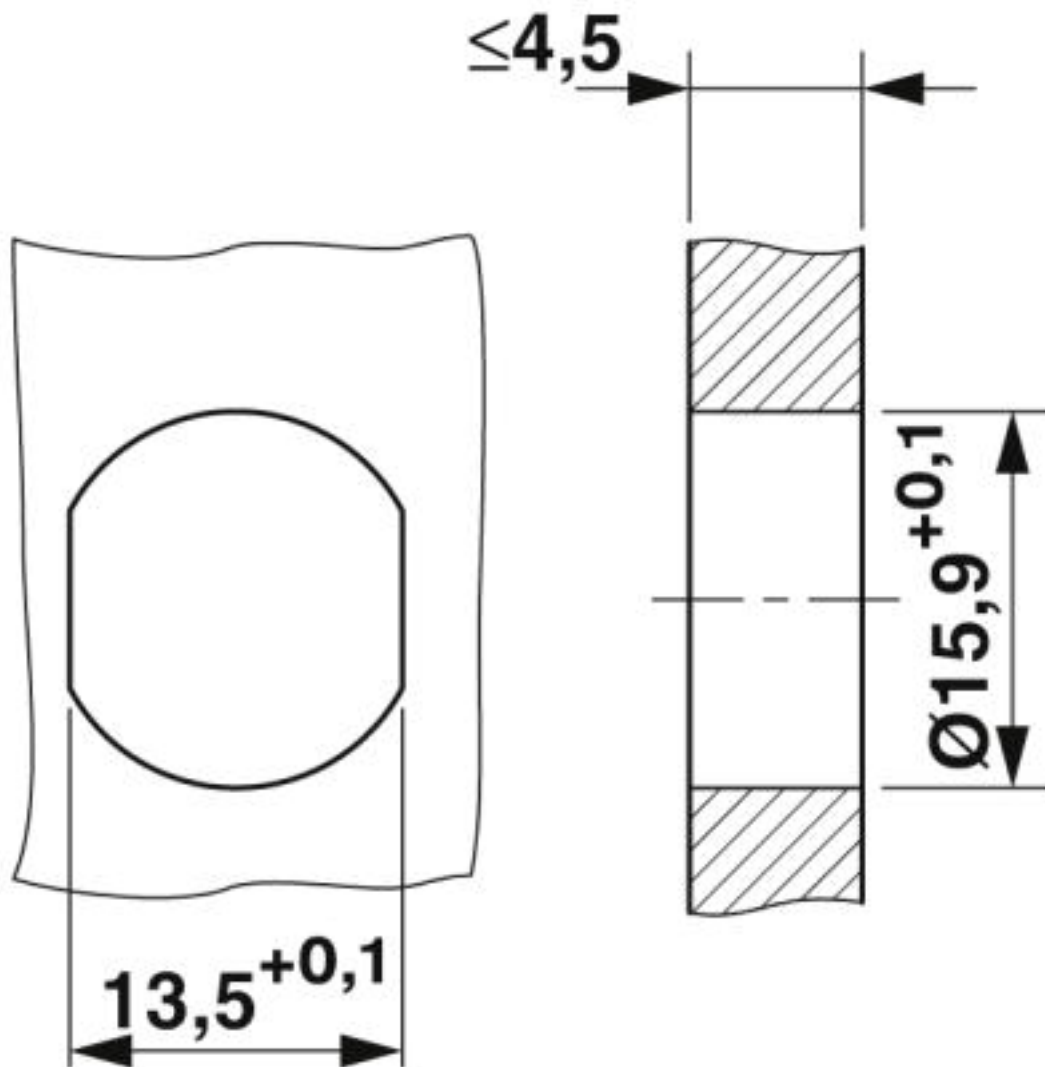
Schematic diagram



Pin assignment M12 socket, 8-pos., A-coded, view female side

# Network cable - VS-M12FSBP-OE-94B-LI/0,5 - 1401057

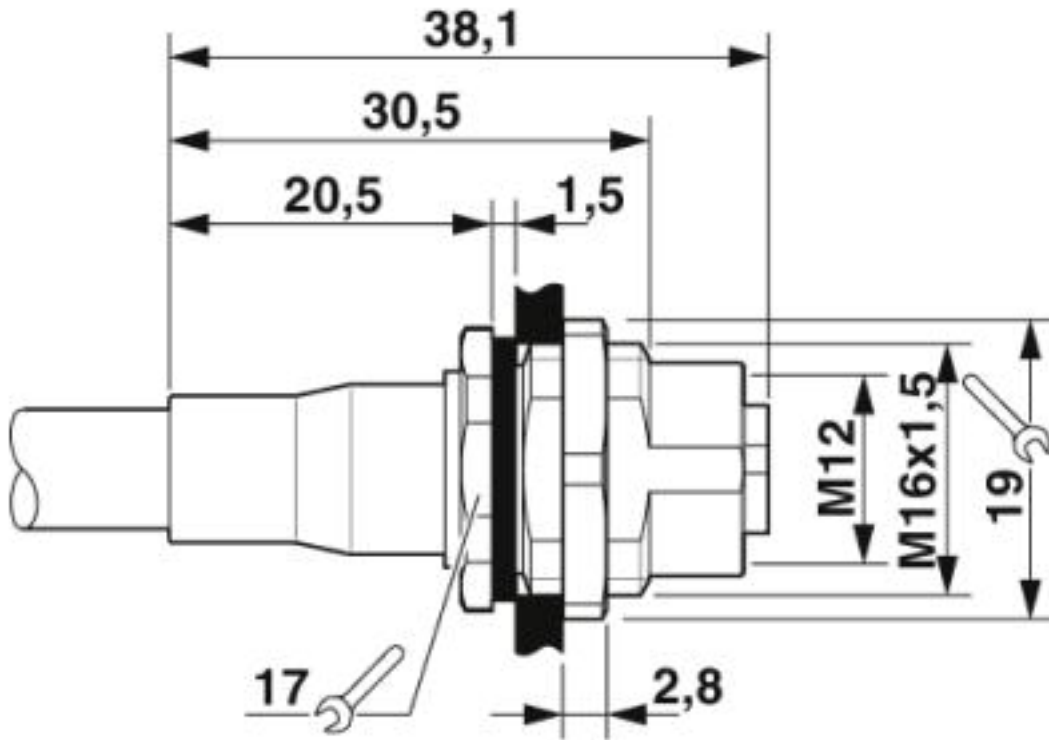
Dimensional drawing



Housing cutout for M16 fastening thread, mounting panel with feed-through hole (alternatively with surface as protection against rotation)

# Network cable - VS-M12FSBP-OE-94B-LI/0,5 - 1401057

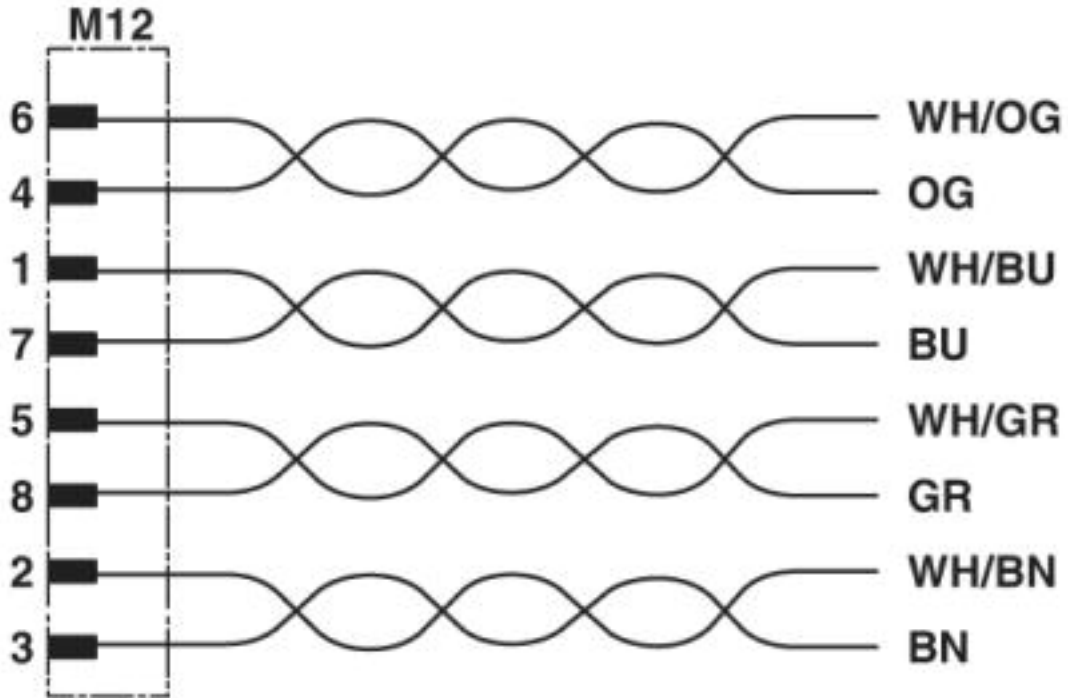
Dimensional drawing



M12 flush-type connector

# Network cable - VS-M12FSBP-OE-94B-LI/0,5 - 1401057

Circuit diagram



Contact assignment of the M12 plug and the M12 socket

# Network cable - VS-M12FSBP-OE-94B-LI/0,5 - 1401057

Cable cross section



Ethernet, flexible, CAT5 [94B]

## Approvals

Approvals

---

Approvals

EAC

---

Ex Approvals

---

Approval details

## Network cable - VS-M12FSBP-OE-94B-LI/0,5 - 1401057

### Approvals

EAC



B.00767

Phoenix Contact 2019 © - all rights reserved  
<http://www.phoenixcontact.com>

PHOENIX CONTACT GmbH & Co. KG  
Flachsmarktstr. 8  
32825 Blomberg  
Germany  
Tel. +49 5235 300  
Fax +49 5235 3 41200  
<http://www.phoenixcontact.com>