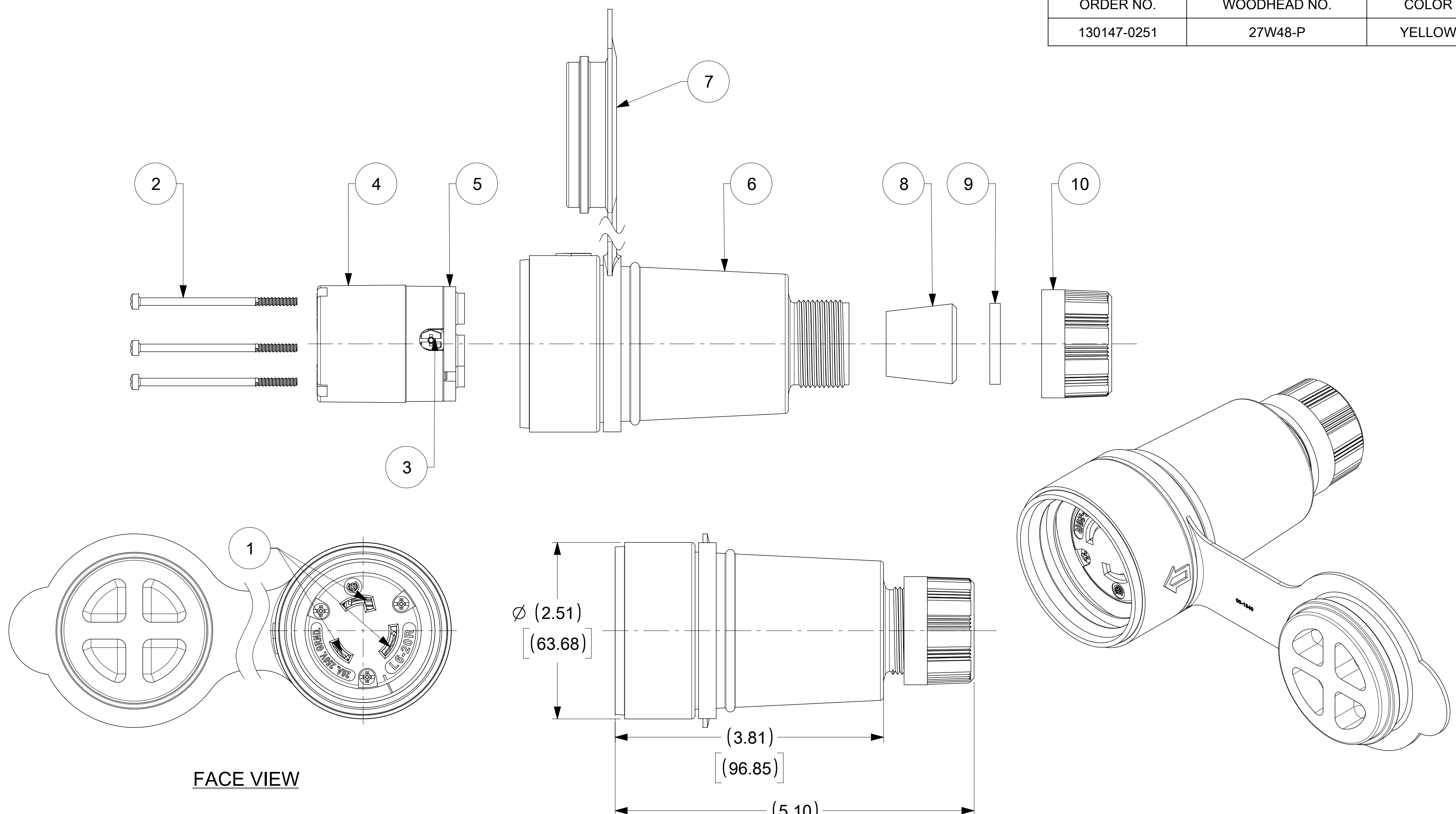


|             |              |        |
|-------------|--------------|--------|
| ORDER NO.   | WOODHEAD NO. | COLOR  |
| 130147-0251 | 27W48-P      | YELLOW |



| ITEM NO. | DESCRIPTIONS                  | MATERIAL                  | QTY. |
|----------|-------------------------------|---------------------------|------|
| 1        | BLADE                         | BRASS, NICKEL PLATED      | 3    |
| 2        | RETAINING SCREWS              | STAINLESS STEEL           | 3    |
| 3        | CLAMP AND TERMINAL SCREW ASSY | BRASS, ZINC PLATED        | 3    |
| 4        | INSERT                        | NYLON                     | 1    |
| 5        | TERMINAL COVER                | POLYCARBONATE             | 1    |
| 6        | HOUSING                       | SILICON WITH NYLON THREAD | 1    |
| 7        | COVER CLOSURE                 | SILICON WITH NYLON THREAD | 1    |
| 8        | GROMMET                       | RUBBER                    | 1    |
| 9        | FRICTION RING                 | NYLON                     | 1    |
| 10       | COMPRESSION NUT               | NYLON                     | 1    |

|  |  |  |  |
|--|--|--|--|
| <b>SYMBOLS</b><br>DIMENSION UNITS: INCH[MM]<br>SCALE: NTS<br>CURRENT REV DESC: RELEASED                    |  | <b>molex</b><br>WATERTITE CONNECTOR 2P3W L6-20R  |  |
| GENERAL TOLERANCES (UNLESS SPECIFIED)<br>4 PLACES ±<br>3 PLACES ±<br>2 PLACES ±<br>1 PLACE ±<br>0 PLACES ± |  | EC NO: 614274<br>DRWN: DSOPPIN 2018/12/17<br>CHK'D: DNGUYEN62 2019/03/27<br>APPR: HKNEELAND 2019/03/28   |  |
| ANGULAR TOL ± °<br>DRAFT WHERE APPLICABLE MUST REMAIN WITHIN DIMENSIONS                                    |  | INITIAL REVISION:<br>DRWN: DSOPPIN 2018/12/17<br>APPR: HKNEELAND 2019/03/28  |  |
| THIRD ANGLE PROJECTION<br>DRAWING SERIES: C-SIZE 130147  |  | PRODUCT CUSTOMER DRAWING<br>DOCUMENT NUMBER: 1301470251<br>DOC TYPE: PSD<br>DOC PART: 000<br>REVISION: A<br>MATERIAL NUMBER: SEE TABLE<br>CUSTOMER: GENERAL MARKET<br>SHEET NUMBER: 1 OF 1 |  |