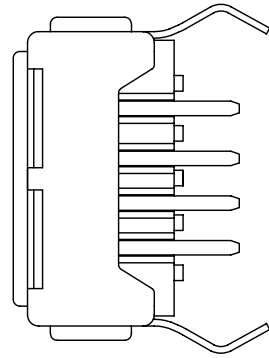
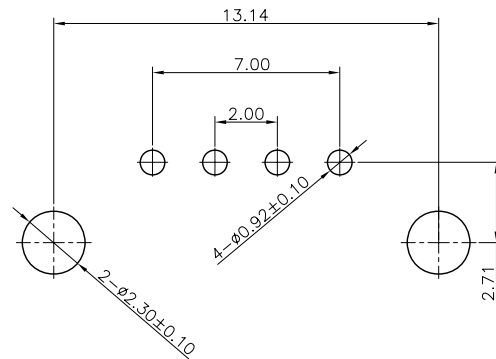
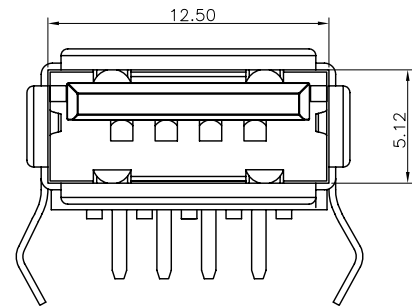
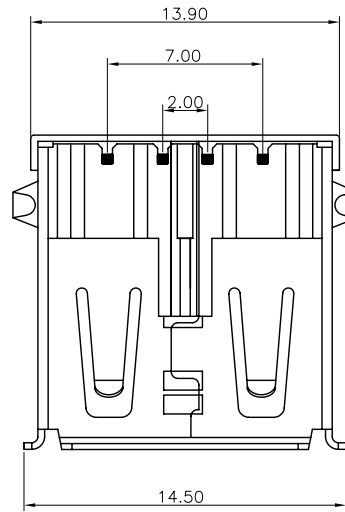
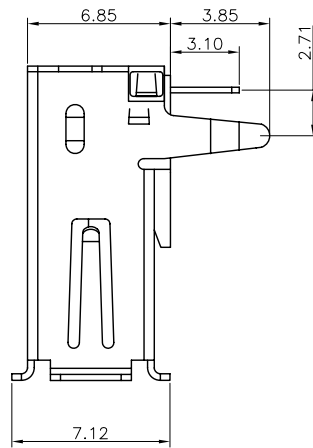
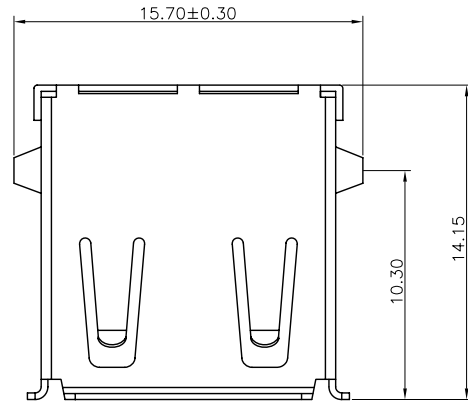

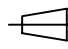


REV	ECN.NO:	B Y	DATE
A0	NEW-DWG	ING	10/04/23



NOTE:
MATERIAL:
HOUSING:PBT+30% G.F. UL 94V-0
CONTACT:PHOSPHOR BRONZE
SHELL:BRASS
PLATING:
CONTACT: GOLD FLASH AND TIN OVER NICKEL PLATED
SHELL: NICKEL PLATED OVER ALL
SPECIFICATION:
CURRENT-MAX[AMPS]:1.5A
VOLTAGE-MAX[VOLTS]:30V
WITHSTANDING VOLTAGE: 500V AC
CONTACT RESISTANCE[OHMS]:30 milliohms max
INSULATION RESISTANCE[OHMS]: 1000 MEGOHMS MIN
ENVIRONMENTAL
TEMPERATURE RANGE -55°C~+85°C



-TOLERANCES- UNLESS OTHERWISE SPECIFIED		 		CnC Tech,LLC					
				TITLE: USB 4P A/F DIP 90°銅殼成品					
X.X	±0.38	X.X°	±3.0°	APPD:	PRODUCT NO: 1001-001-01000				
X.XX	±0.25	X.XX°	±1.0°	CHECK:	DATE	SCALE	UNIT	TYPE	PAGE
X.XXX	±0.13	X.XXX°	±0.5°	DRAW:	2010.04.23	FREE	MM	Z	1