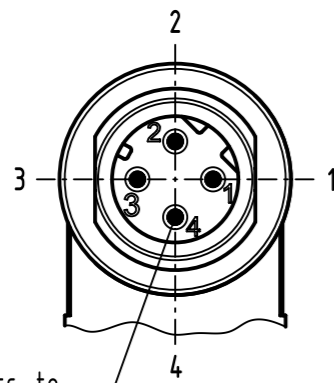
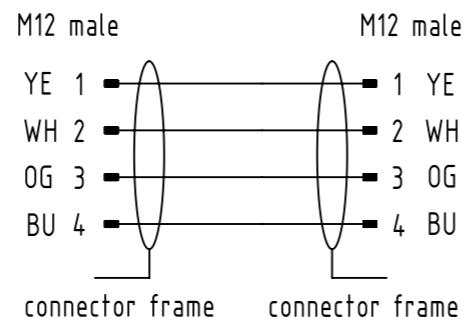


A (2:1) ↻ 90°



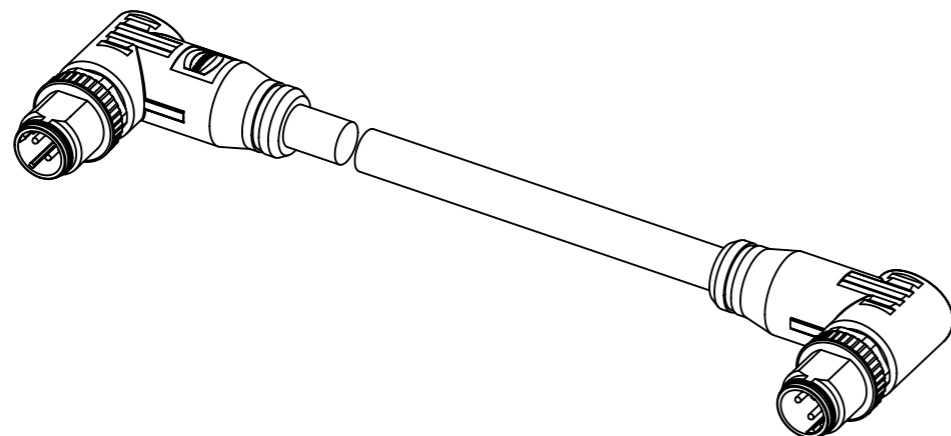
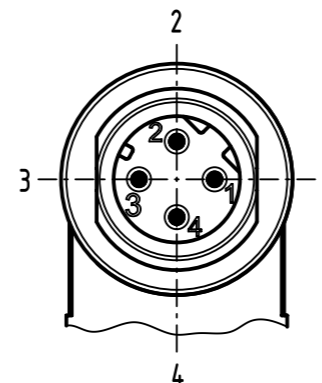
mating face acc. to IEC 61076-2-101

schematic diagram



transmission properties in accordance with ISO/IEC 11801:2002 Class D
 protection level: IP67/65
 temperature range -40 ... +85°C

B (2:1) ↻ 90°



length in 1m step	100	XXX=000
	99	XXX=990
	.	.
	.	.
length in 0,1m step	12	XXX=120
	11	XXX=110
	10	XXX=100
	9,9	XXX=099
	9,8	XXX=098
	.	.
step	0,5	XXX=005
	0,4	XXX=004
	0,3	XXX=003
	0,2	XXX=002
	a [m]	XXX

6,0 to 100	±1%
0,6 to 5,9	+0,04
0,2 to 0,5	+0,02
a [m]	tolerance [m]

HARTING Ha-VIS EtherRail Cable, 4xAWG 22/7, CAT5/5e		09488080011XXX	
type of cable		part-no.	
Scale 1:1	Free size tol.	Ref.	Sub.
Created by HASSE	Inspected by JASCHKE	Standardisation KOHLER	Date 2015-02-11
State Final Release		Doc-Key / ECM-Nr. 100223119/UGD/156/B 50000084907	
Title M12 male D-coded cable assembly		Rev. B	
Type TB	Number 09488080011XXX	Page 1/1	

All Dimensions in mm
Original Size DIN A3

All rights reserved
Department EC PD - DE

HARTING Electronics GmbH
D-32339 Espelkamp