







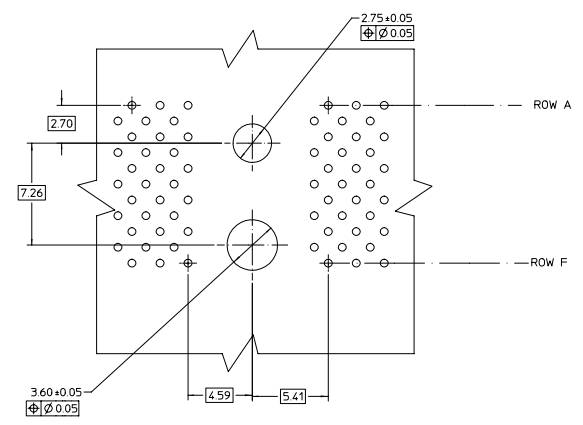
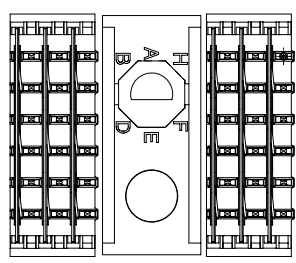


20 19 18 17 16 15 14 13 12 11 10 9 8 7 6 5 4 3 2 1

MATERIAL NUMBER PCB THICKNESS >4.0 - 9.0 mm	MATERIAL NUMBER PCB THICKNESS 1.8 - 4.0 mm	BUSHING KEYING POSITION
74958-6901	74958-6001	A 
74958-6902	74958-6002	B 
74958-6903	74958-6003	C 
74958-6904	74958-6004	D 
74958-6905	74958-6005	E 
74958-6906	74958-6006	F 
74958-6907	74958-6007	G 
74958-6908	74958-6008	H 

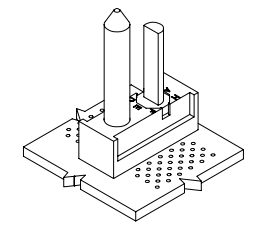
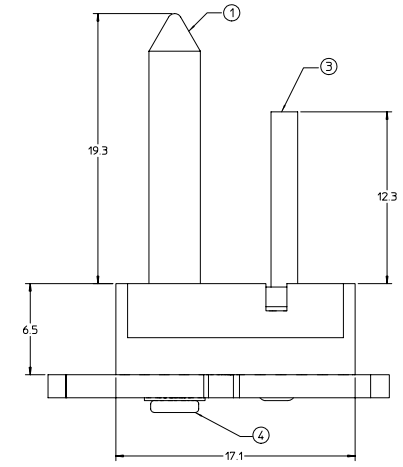
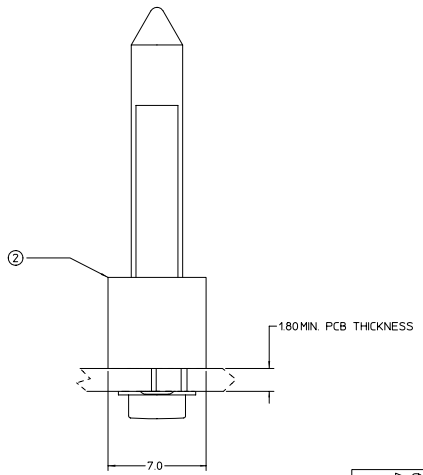


BILL OF MATERIAL FOR 74958-60**

ITEM	DESCRIPTION	QTY
1	GUIDE PIN	1
2	GUIDANCE & POLARIZING MODULE HOUSING	1
3	KEYING PIN	1
4	SCREW & WASHER (PCB 1.8-4.0mm)	1

BILL OF MATERIAL FOR 74958-69**

ITEM	DESCRIPTION	QTY
1	GUIDE PIN	1
2	GUIDANCE & POLARIZING MODULE HOUSING	1
3	KEYING PIN	1
4	SCREW & WASHER (PCB >4.0-9.0mm)	1



- NOTES:
1. MATERIAL:
HOUSING: LIQUID CRYSTAL POLYMER (LCP),
COLOR : BLACK
GUIDE PIN / KEYING PIN: STAINLESS STEEL
 2. THIS PART CONFORMS TO MOLEX SPECIFICATION
PS-74031-999
 3. PACKAGING : STANDARD BULK PACK, 100 PER BAG
PACKAGE SCREW SEPARATELY.

EC NO. LDT2002-0396 DRWN. MOSLEY 2001/12/17 CHKD. SREED 2001/12/19 APPR. CBIXLER 2001/12/20 REV DESCRIPTION	QUALITY SYMBOLS	GENERAL TOLERANCES (UNLESS SPECIFIED)	SCALE 6:1	DESIGN UNITS METRIC	THIRD ANGLE PROJECTION	REVISE ON CAD ONLY	
	4 PLACES ±	mm INCH	DIMENSION STYLE	MM ONLY	TITLE		
	3 PLACES ±		DRAWN BY	DATE	VHDM BACKPLANE GUIDANCE AND POLARIZING MODULE		
	2 PLACES ±		NMARTIN	01/09/05	6 ROW SALES DRAWING		
1 PLACE ±		ANGULAR ± 2°	CHECKED BY	DATE	MOLEX INCORPORATED		
		DRAFT WHERE APPLICABLE	JLAURX	01/09/05	MATERIAL NO.	DOCUMENT NO.	
		MUST REMAIN WITHIN DIMENSIONS	APPROVED BY	DATE	SEE CHART	SD-74958-002	
			CBIXLER	01/09/05			
			THIS DRAWING CONTAINS INFORMATION THAT IS PROPRIETARY TO MOLEX INCORPORATED AND SHOULD NOT BE USED WITHOUT WRITTEN PERMISSION				SHEET NO. 1 OF 1