

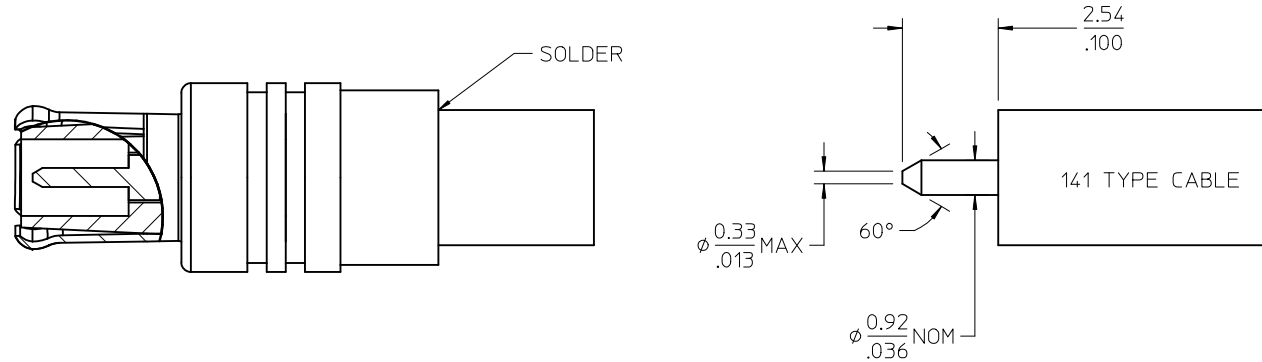
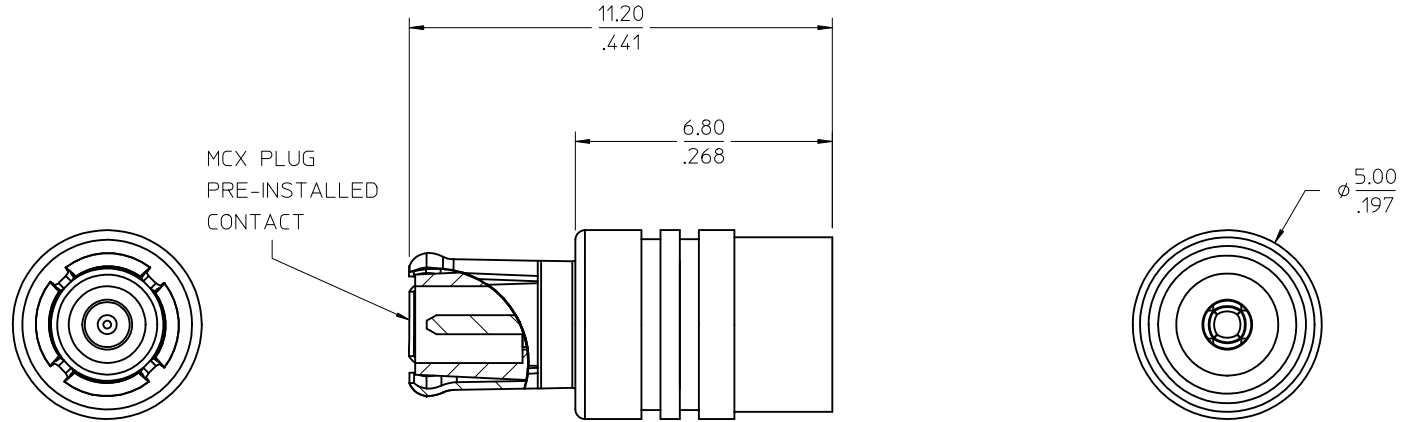
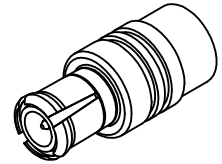
MATERIALS AND FINISHES

BODY: BRASS  
PLATED GOLD

OUTER CONTACT: BERYLLIUM COPPER  
PLATED GOLD

INSULATOR: TELFON

CONTACT: PHOSPHOR BRONZE  
PLATED GOLD



PART # 73366-6220

CECC-22-220	INTERFACE
SPECIFICATION	DESCRIPTION

CHG: RELEASE DRAWING.	EC NO: URF2010-0609
	DRWN: AROBERTSON 2010/04/27
A	CHKD: SSS 2010/04/28
	APPR: JWIENER 2010/04/28

QUALITY SYMBOLS	$\nabla=0$ $\nabla=0$
DESCRIPTION	

GENERAL TOLERANCES (UNLESS SPECIFIED)	<table border="1"> <tr> <td></td> <td>mm</td> <td>INCH</td> </tr> <tr> <td>4 PLACES</td> <td>± .005</td> <td>± .0002</td> </tr> <tr> <td>3 PLACES</td> <td>± .002</td> <td>± .0001</td> </tr> <tr> <td>2 PLACES</td> <td>± .001</td> <td>± .00005</td> </tr> <tr> <td>1 PLACE</td> <td>± .0005</td> <td>± .00002</td> </tr> </table>		mm	INCH	4 PLACES	± .005	± .0002	3 PLACES	± .002	± .0001	2 PLACES	± .001	± .00005	1 PLACE	± .0005	± .00002
	mm	INCH														
4 PLACES	± .005	± .0002														
3 PLACES	± .002	± .0001														
2 PLACES	± .001	± .00005														
1 PLACE	± .0005	± .00002														
ANGULAR	± 2°															
DRAFT WHERE APPLICABLE MUST REMAIN WITHIN DIMENSIONS																

DIMENSION STYLE	MM/IN
DRAWN BY	AROBERTSON
DATE	2010/04/27
CHECKED BY	SSS
DATE	
APPROVED BY	JWIENER
DATE	2010/04/28
MATERIAL NO.	733666220

SCALE	DESIGN UNITS	THIRD ANGLE PROJECTION
	METRIC	
TITLE		
MCX PLUG STR INSTALLED CONTACT 141 CABLE MCX-PC, EWR-4366		
MOLEX INCORPORATED		
DOCUMENT NO.	SHEET NO.	
SD-73366-622	1 OF 1	
THIS DRAWING CONTAINS INFORMATION THAT IS PROPRIETARY TO MOLEX INCORPORATED AND SHOULD NOT BE USED WITHOUT WRITTEN PERMISSION		