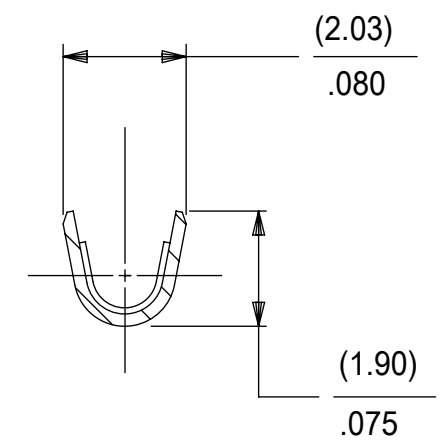
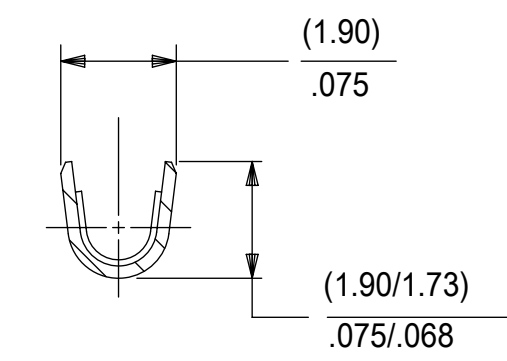
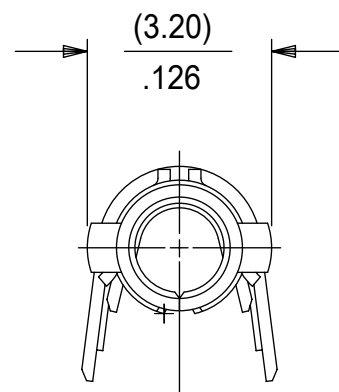
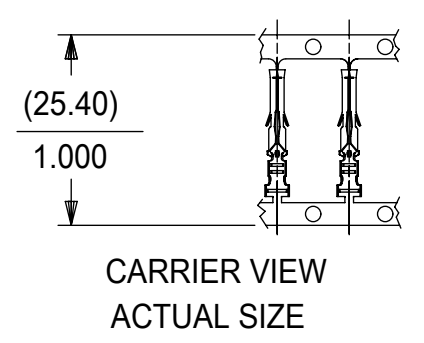


PART NO.	ENG. NO.	PACKAGING
02-06-1131	1855-(P901)	18550000-PK
02-06-1132	1855-(P901)L	PK-1190-003
02-06-5130	1855-(P550)	18550000-PK
02-06-5135	1855-(P550)L	PK-1190-003
02-06-1141	1855-1(P901)	18550000-PK
NOT TOOLED	1855-1(P901)L	PK-1190-003



LEGEND

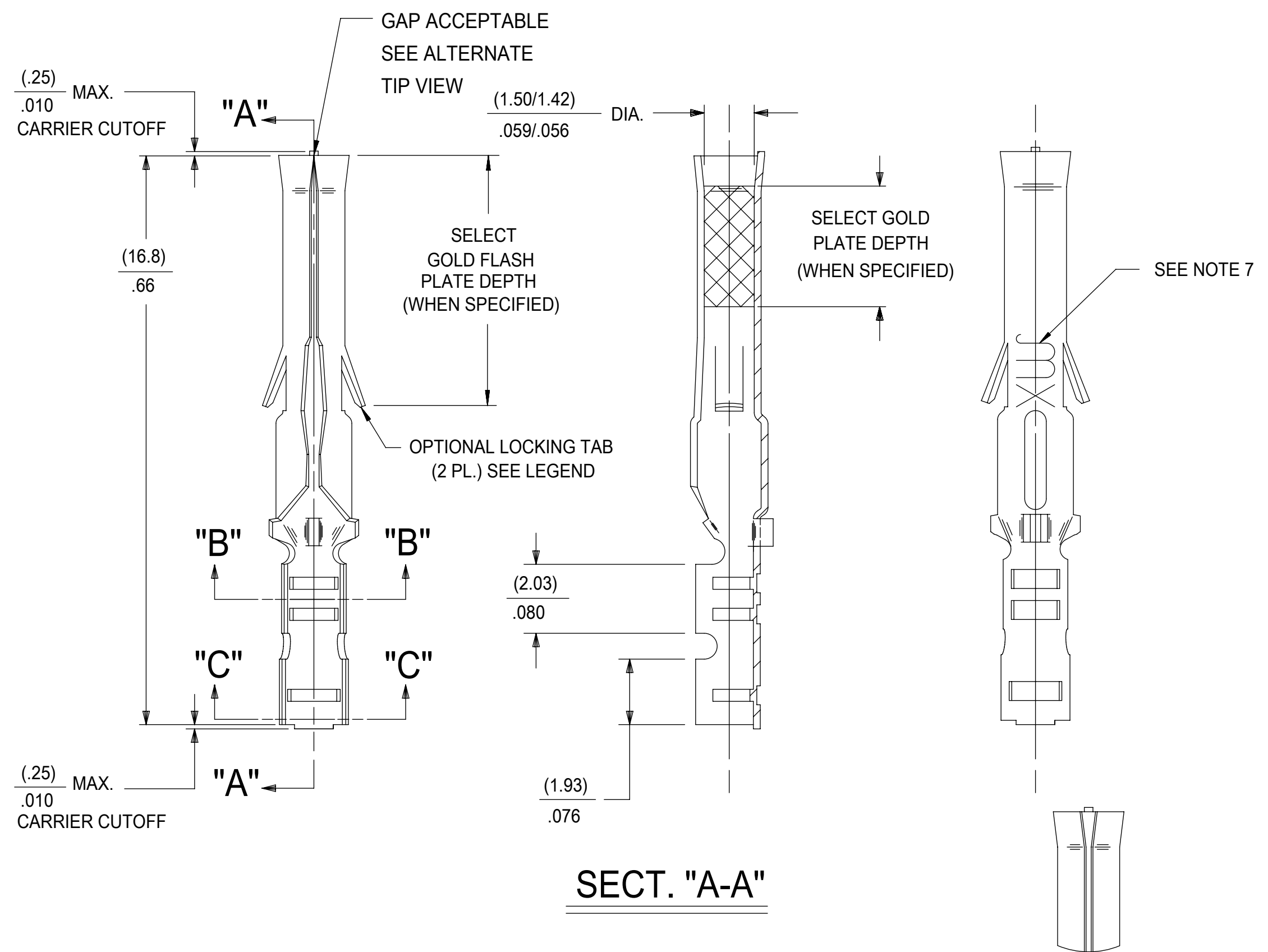
1855-*(****)*

BLANK=WITH LOCKING TABS
1=WITHOUT LOCKING TABS

P=PREPLATE
BLANK=POSTPLATE

FORM
BLANK=CHAIN
1=CHAIN WITH INTERLEAF
PAPER ON REEL.
L=LOOSE
FINISH CODE

- NOTES:
- MATERIAL: BRASS
 - FINISHES:
 - 901 HOT TIN DIP (.00051)/.000020 MIN.
 - 228 SELECT GOLD PLATE (.00075/.000030 MIN. IN CONTACT AREA, SELECT TIN (.00250)/.000100 MIN. IN CRIMP AREA OVER (.00125)/.000050 MIN. NICKEL OVERALL
 - 561 SELECT GOLD PLATE (.00076)/.000030 MIN. IN CONTACT AREA, (.00127)/.000050 MIN. NICKEL OVERALL.
 - 550 SELECT GOLD PLATE (.00038)/.000015 MIN. IN CONTACT AREA, OVER (.00076)/.000030 MIN. NICKEL OVERALL WITH (.00025)/.000010 MAX. GOLD FLASH OVERALL.
 - PRODUCT SPECIFICATION: PS-02-06
 - PACKAGE INFORMATION: SEE CHART
 - TERMINAL FOR USE WITH (1.57)/.062 DIA. SERIES HOUSINGS AND WILL ACCEPT 24 THRU 30 AWG WIRE WITH (1.02/2.29)/.040/.090 INSULATION DIAMETER.
 - PARTS CONFORM TO CLASS B REQUIREMENTS OF COSMETIC SPECIFICATION PS-45499-002.
 - MARKING MAY VARY ON PARTS, CONSULT FACTORY.
 - TIP GEOMETRY IS TOOL DEPENDENT. EITHER GEOMETRY IS ACCEPTABLE.



SECT. "A-A"

ALTERNATE TIP GEOMETRY
SEE NOTE 8

THIS DRAWING CONTAINS INFORMATION THAT IS PROPRIETARY TO MOLEX ELECTRONIC TECHNOLOGIES, LLC AND SHOULD NOT BE USED WITHOUT WRITTEN PERMISSION									
DIMENSION UNITS		SCALE		CURRENT REV DESC: REMOVE 46999-0998					
MM/IN		NTS		<p>molex</p> <p>CRIMP TERMINAL, FEMALE (1.57)/.062 DIA., BRASS FOR 24 THRU 30 GA. WIRE</p> <p>PRODUCT CUSTOMER DRAWING</p> <p>DOCUMENT NUMBER: SD-1855-X DOC TYPE: PSD DOC PART: 001 REVISION: AP6</p> <p>MATERIAL NUMBER: SEE TABLE CUSTOMER: GENERAL MARKET SHEET NUMBER: 1 OF 1</p>					
GENERAL TOLERANCES (UNLESS SPECIFIED)									
	MM		INCH						
4 PLACES	±		±						
3 PLACES	±		± 0.01						
2 PLACES	± 0.25		± 0.014						
1 PLACE	± 0.35		±						
0 PLACES	±		±						
ANGULAR TOL ± 0.5 °				<p>EC NO: 742179</p> <p>DRWN: MKIPPER 2023/03/01</p> <p>CHK'D: MKIPPER 2023/03/13</p> <p>APPR: FSMITH 2023/03/13</p> <p>INITIAL REVISION:</p> <p>DRWN: GEP 1987/09/17</p> <p>APPR: RAS 1987/09/17</p>					
DRAFT WHERE APPLICABLE MUST REMAIN WITHIN DIMENSIONS				THIRD ANGLE PROJECTION		DRAWING		SERIES	
				C-SIZE		1855			