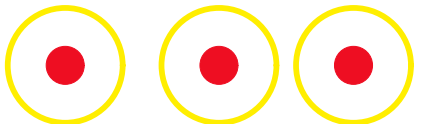


LOGO1  
TE Logo PRINT Layer

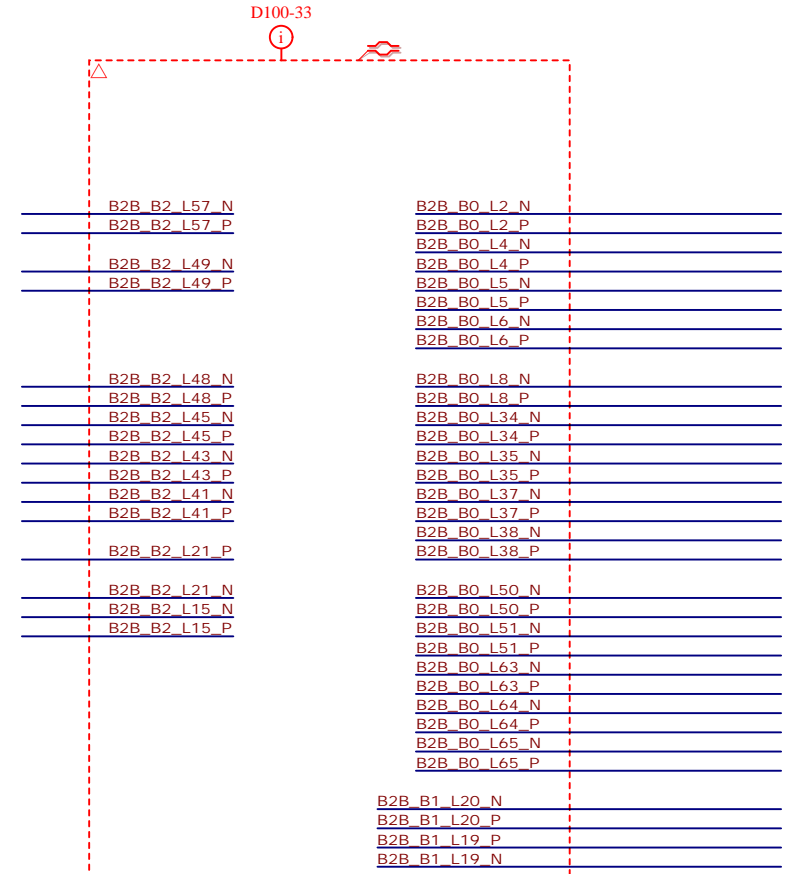
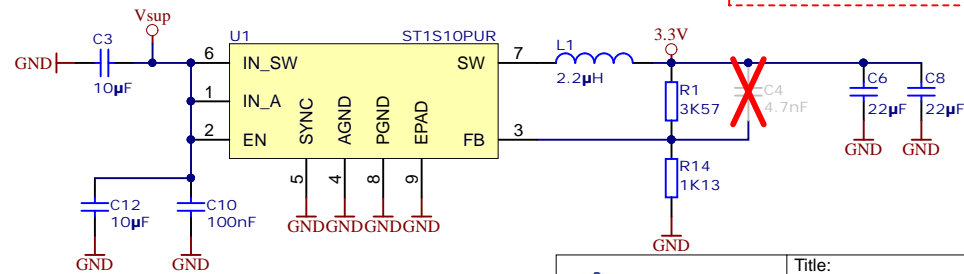
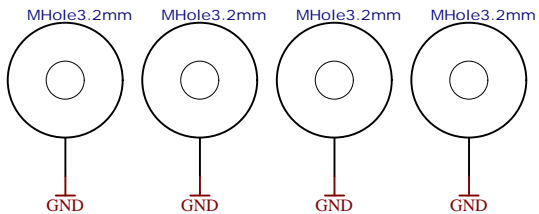
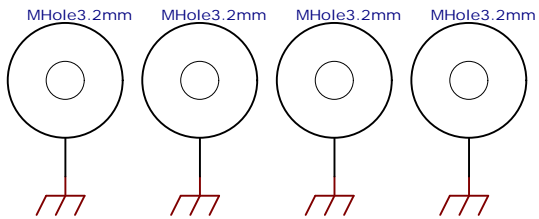
LOGO PRINT  
Signals  
Signals.SchDoc

Signals  
Ethernet.SchDoc

Connector  
Connector.SchDoc



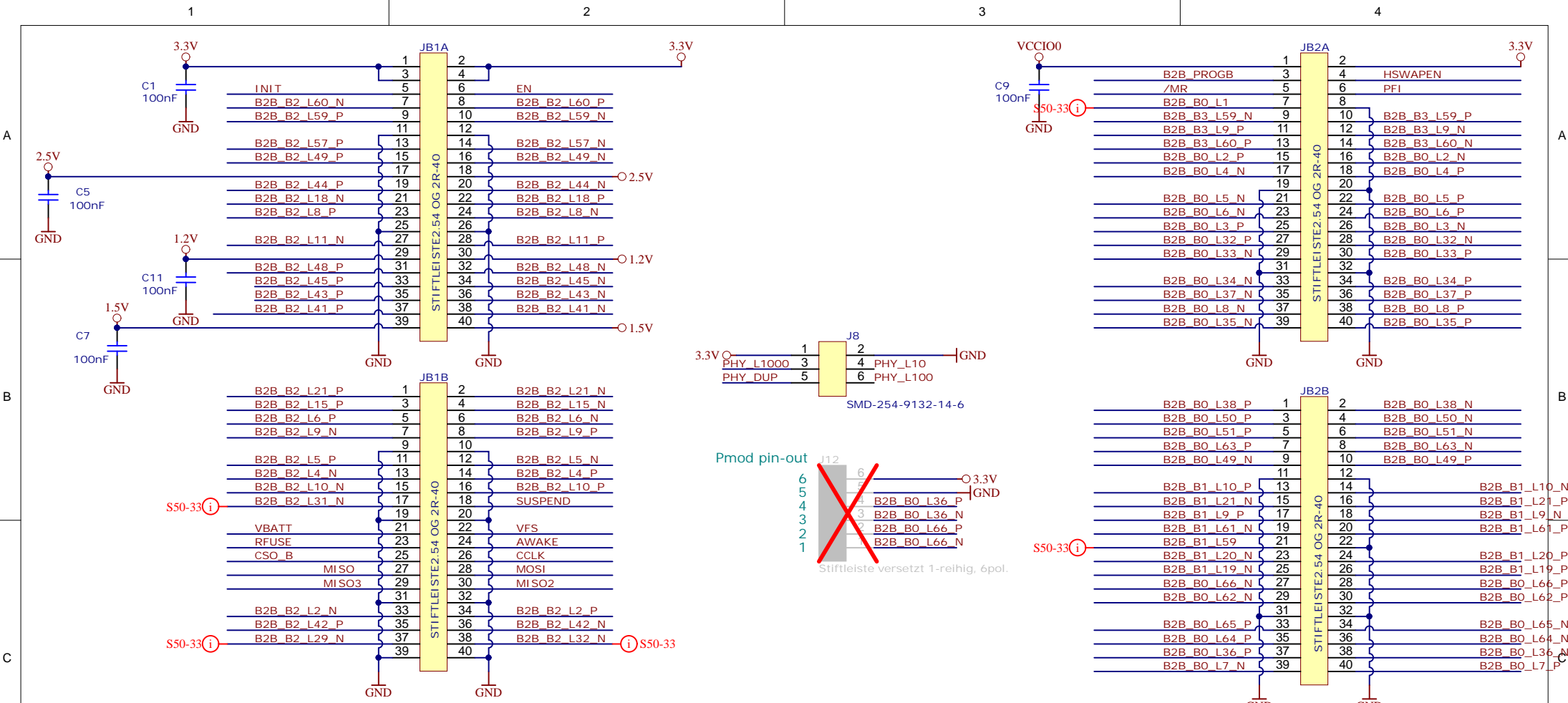
FIDU-DOT - small FIDU-DOT - small FIDU-DOT - small



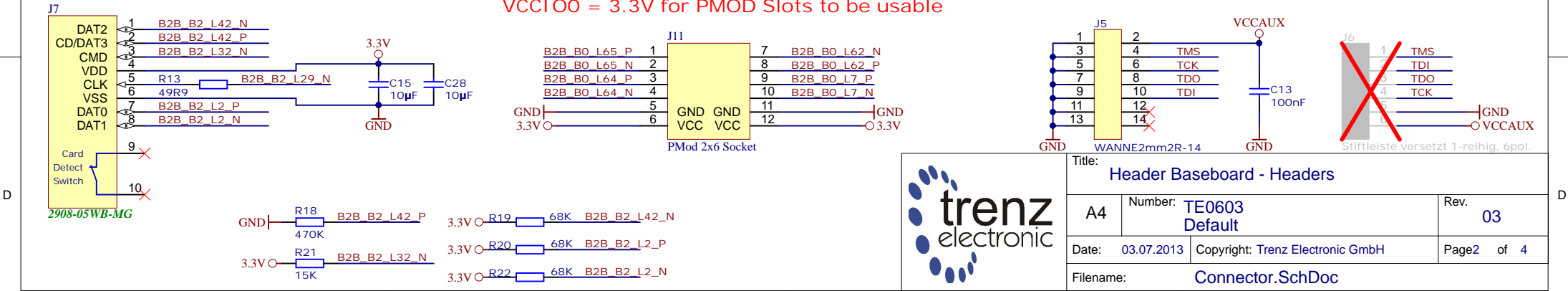
Assembly variant	Default
Created by	
Modified by	VY
Modified at	2019-08-16
SVN Revision	8643



Title: TE0603 Header Baseboard for TE0600 Module		
A4	Number: TE0603 Default	Rev. 03
Date: 03.07.2013	Copyright: Trenz Electronic GmbH	Page1 of 4
Filename: Main.SchDoc		



VCCI00 = 3.3V for PMOD Slots to be usable



Title: Header Baseboard - Headers			
A4	Number: TE0603 Default	Rev. 03	
Date: 03.07.2013	Copyright: Trenz Electronic GmbH	Page2 of 4	
Filename: Connector.SchDoc			

1

2

3

4

A

A

B

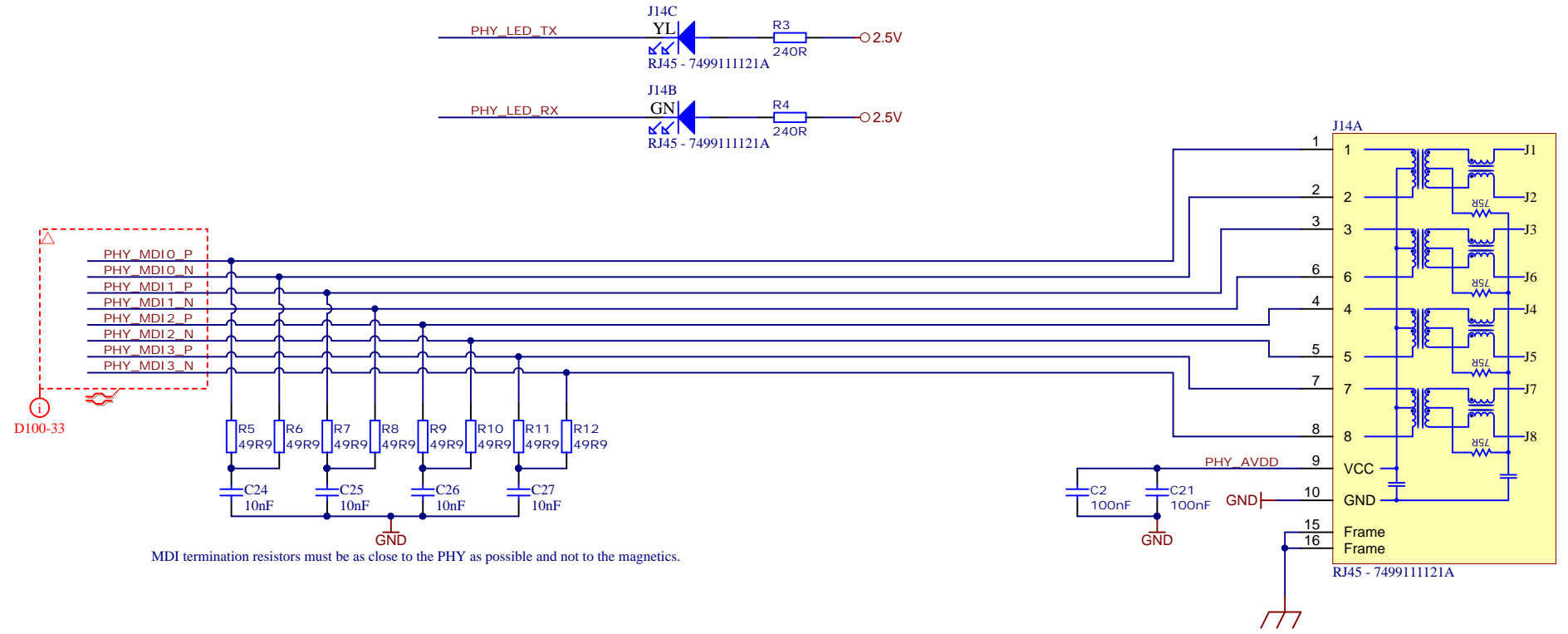
B

C

C

D

D



Title: Ethernet		
A4	Number: TE0603 Default	Rev. 03
Date: 03.07.2013	Copyright: Trenz Electronic GmbH	Page3 of 4
Filename: Ethernet.SchDoc		

1

2

3

4

