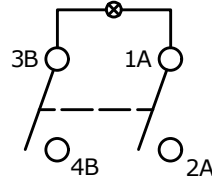


▲ PANEL CUTOUT

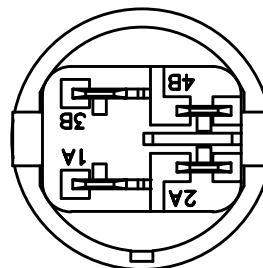
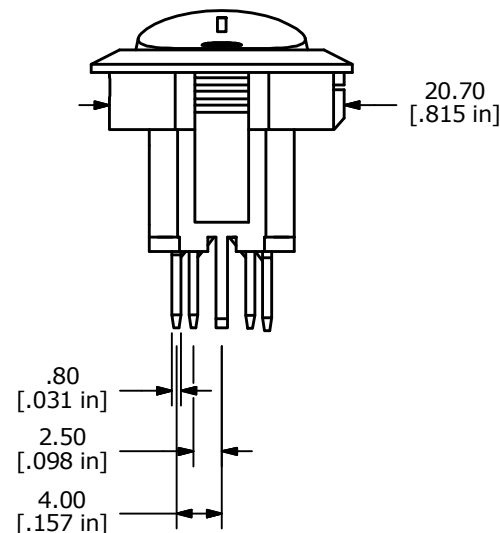
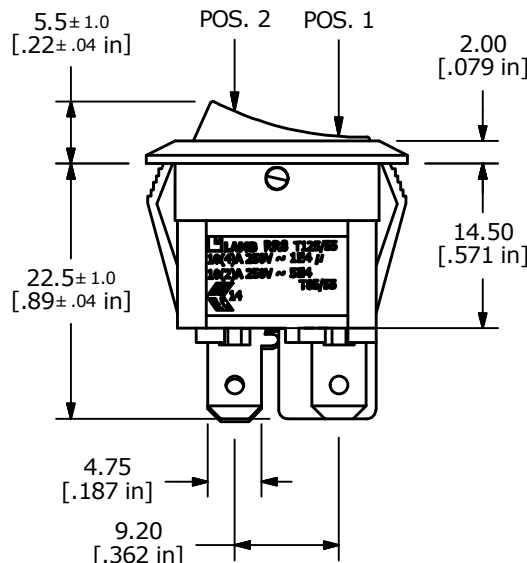
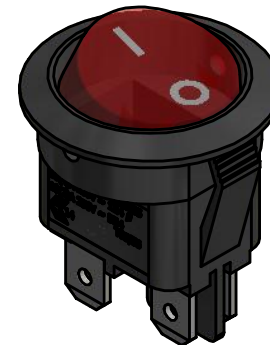
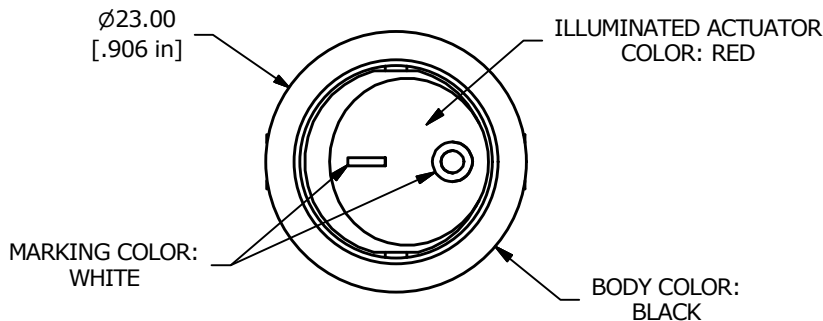
PANEL THICKNESS	(X) DIM.
0.75 TO 1.25	20.2mm
1.25 TO 2.00	20.4mm
2.00 TO 3.00	20.6mm

SWITCH FUNCTION	
POS. 1	POS. 2
OFF	ON
OPEN	3B-4B, 1A-2A



▲ CIRCUIT: DPST  
FUNCTIONS  
OFF - ON

- NOTE:
1. DIMENSIONS IN MM [INCH]
  2. GENERAL TOLERANCE: X.X = ± 0.4  
X.XX = ± 0.25
  3. TERMINAL NUMBERS FOR REF ONLY
  - ▲ 4. CONTACT MATERIAL: SILVER
  - ▲ 5. CONTACT RATING: 16A 125VAC [UR, cUR]  
10A 250VAC [UR, cUR]  
1/3HP 125/250VAC [UR, cUR]  
10(4)A 250V~1E4 T125/55 [ENEC14]  
10(2)A 250V~5E4 T85/55 [ENEC14]
  6. CONTACT RESISTANCE: 35mΩ MAX. @ 50VAC
  7. INSULATION RESISTANCE: 100MΩ MIN. @ 500VAC
  8. DIELECTRIC STRENGTH: 1,500VAC FOR 1 MINUTE
  9. ELECTRICAL LIFE: 6,000 CYCLES [UR, cUR]  
10,000 CYCLES [ENEC14: 10(4)A 250V~]
  10. OPERATING TEMPERATURE: -20°C TO 105°C [UR, cUR]  
-20°C TO 125°C [ENEC14]
  11. ▲ DENOTES CRITICAL PARAMETER
  12. 2011/65/EU (ROHS) COMPLIANT
  - ▲ 13. LENS COLOR, RED
  - ▲ 14. LAMP VOLTAGE, 125V



REV	PCR NO	DESCRIPTION	DATE	BY
E	23471	REMOVED SEMKO RATING	7/24/18	MJR
D	22402	ADDED BOTTOM VIEW	7/21/16	MJR

TITLE RR812C1000-116				
SCALE 3:2	DATE 3/8/2012	DR BGL	DWG 38-RR812C1000116	REV E