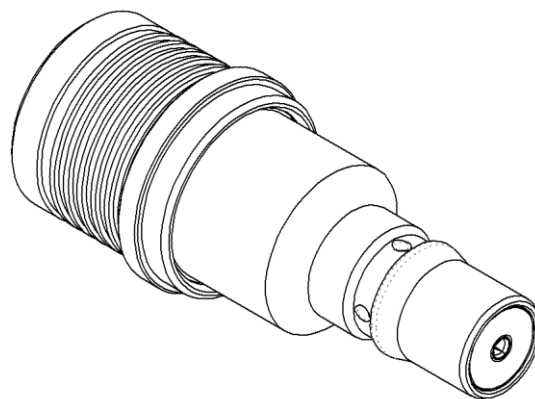
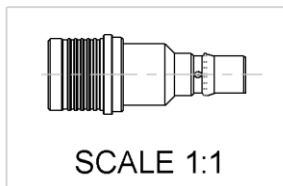
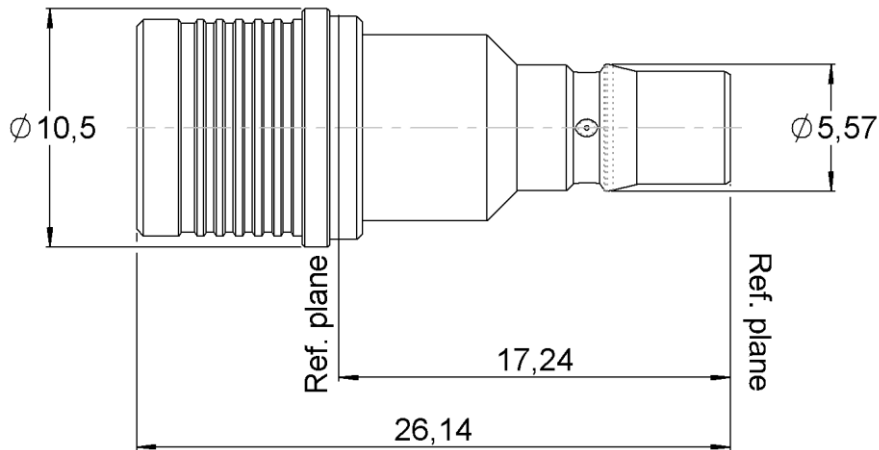
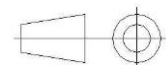


| | | | |
|----------|-----------------|-----------------------|------------------------|
| PAGE 1/2 | ISSUE 17-11-16D | SERIES ATTENUATEUR | PART NUMBER R411702124 |
|----------|-----------------|-----------------------|------------------------|



All dimensions are in mm.



| COMPONENTS | MATERIALS | PLATING (μm) |
|-----------------------|-------------------------|---------------------------|
| Body | BRASS | BBR |
| Male center contact | BRASS | GOLD OVER COPPER |
| Female center contact | BERYLLIUM COPPER | GOLD OVER COPPER |
| Outer contact | BRONZE | BBR |
| Insulator | PTFE | |
| Gasket | - | |
| Substrate | ALUMINA | |
| Resistor | THICK FILM | |
| Others parts | - | - |

| | | | |
|----------|-----------------|-----------------------|-------------------------------|
| PAGE 2/2 | ISSUE 17-11-16D | SERIES ATTENUATEUR | PART NUMBER R411702124 |
|----------|-----------------|-----------------------|-------------------------------|

ELECTRICAL CHARACTERISTICS

| | | |
|-----------------|---------------|--------------|
| Frequency (GHz) | DC - 2 | 2 - 6 |
| V.S.W.R (≤) | 1.20 | 1.30 |
| Deviation(±dB) | 0.3 | 0.5 |

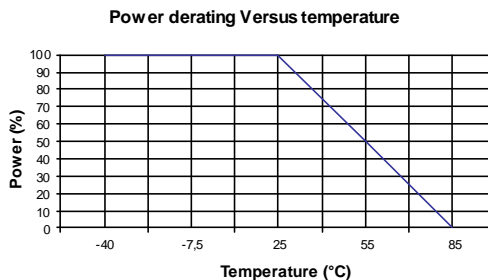
| | | |
|------------------------------|---------------|-----------------------|
| Operating Frequency Range | DC - 6 | GHz |
| Impedance | 50 | Ω |
| Nominal Attenuation | 2 | dB |
| Peak power at 25°C (1μs, 1%) | 100 | W |
| Average power at 25°C | 1 | W (Free Air Cooled) |
| | | W (Conduction Cooled) |

MECHANICAL CHARACTERISTICS

| | | |
|------------|-----------------|--------------------|
| Connectors | QMA | Male Female |
| Weight | 6,2500 g | |

ENVIRONMENTAL CHARACTERISTICS

| | |
|-----------------------------|-------------------|
| Operating temperature range | -40/+85 °C |
| Storage temperature range | -40/+85 °C |



SPECIFICATION

OTHER CHARACTERISTICS