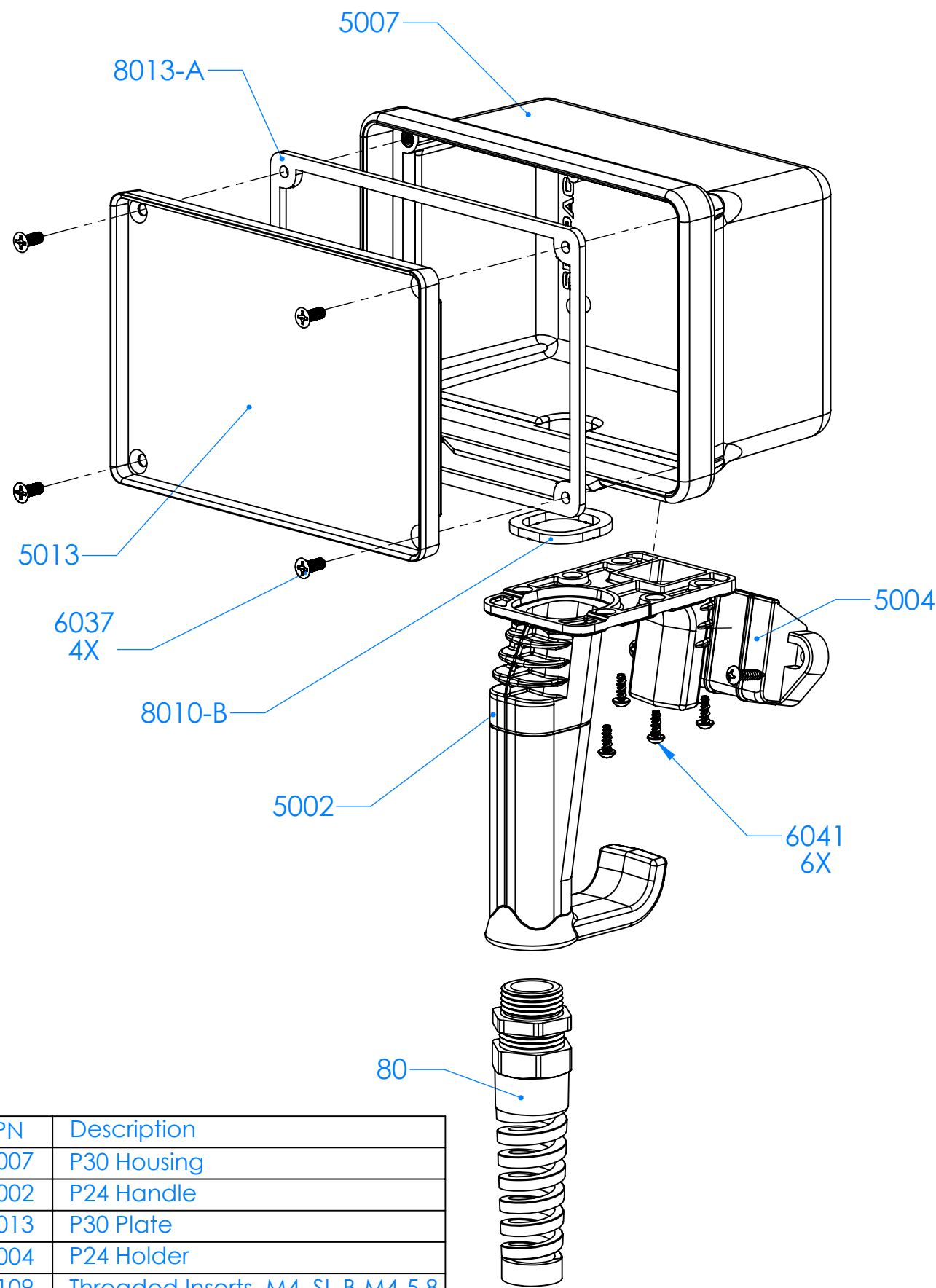


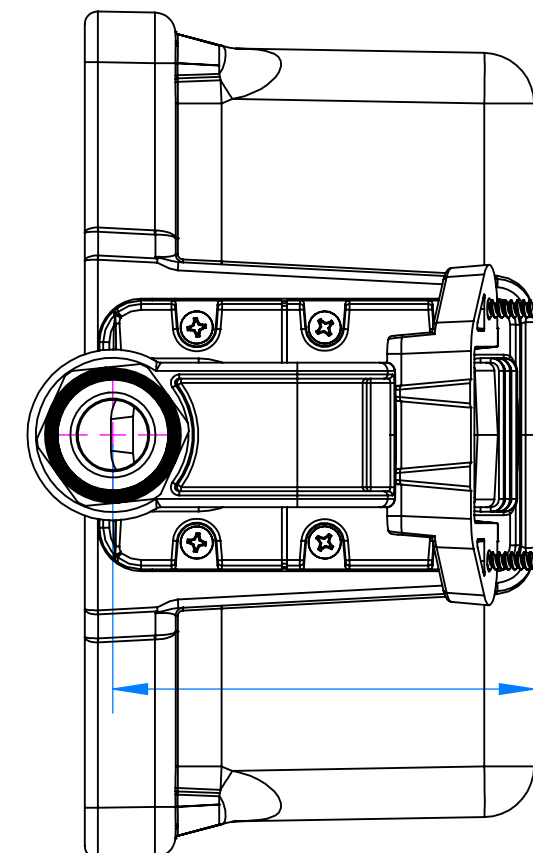
SECTION A-A
SCALE 1 : 1.5



PN	Description
5007	P30 Housing
5002	P24 Handle
5013	P30 Plate
5004	P24 Holder
6109	Threaded Inserts, M4, SL-B-M4-5.8
80	PG-16 Pigtail
6036	Truss Hd, Hi-Lo Screw, #4 x 1/4
6037	Screw M4 X 10mm
6038	SS Phil Flat Hd Screw, M4 x 10mm
8013-A	P30 Plate Gasket
8010-B	P24 Handle Gasket

Notes:

- Unit is shipped with Handle/Housing gasket installed. Plate to Housing gasket is user installed.
- Dim's in Inch/[mm].
- Standard Material is UL94 HB Polyester (Yellow or Black).
- Watertight enclosure meets or exceeds Nema 4x / IP66.

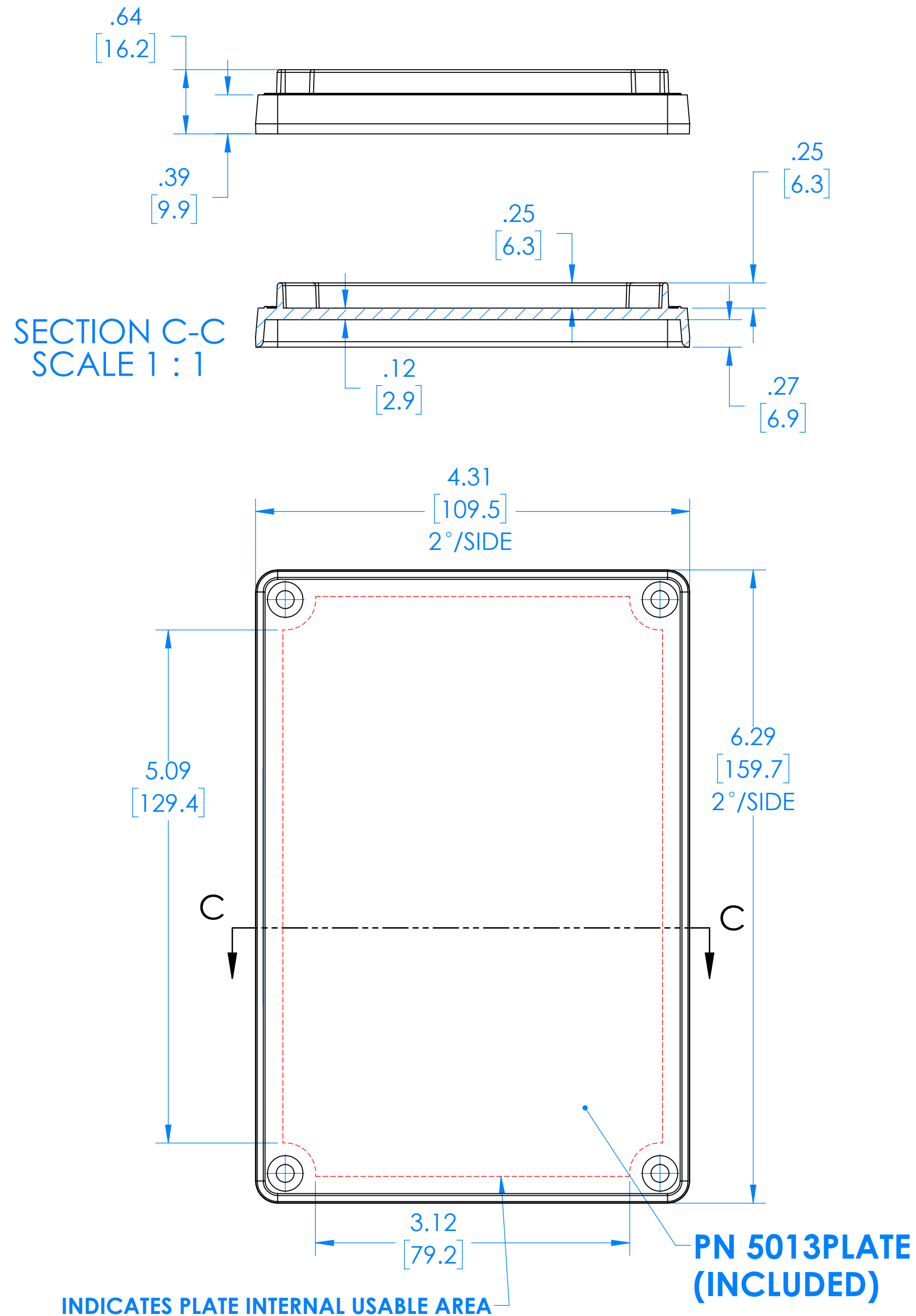


ALL DIMENSIONS ARE ± .010"

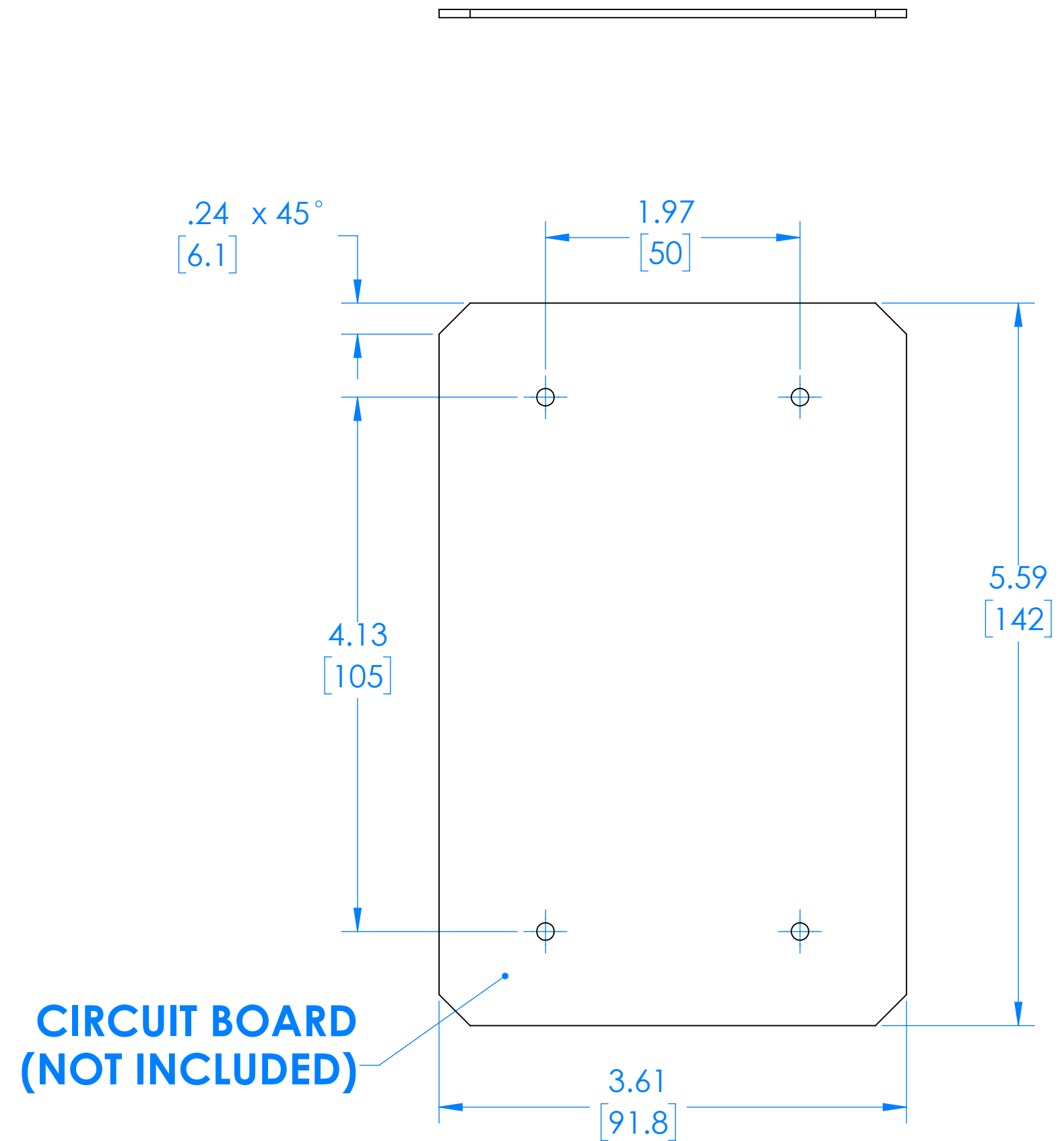
SERPAC Plate & Circuit Board for P30

Electronic Enclosures

PN 5013 P30 PLATE (INCLUDED)



P30 CIRCUIT BOARD (NOT INCLUDED)



THERE IS A 0.030" ±.005" CLEARANCE FROM THE PERIMETER OF THE CIRCUIT BOARD TO THE INTERIOR OF THE ENCLOSURE.