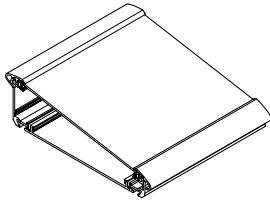
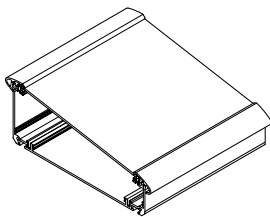


Cross-sections

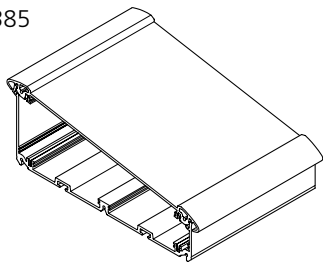
ATPH 1850



ATPH 1865

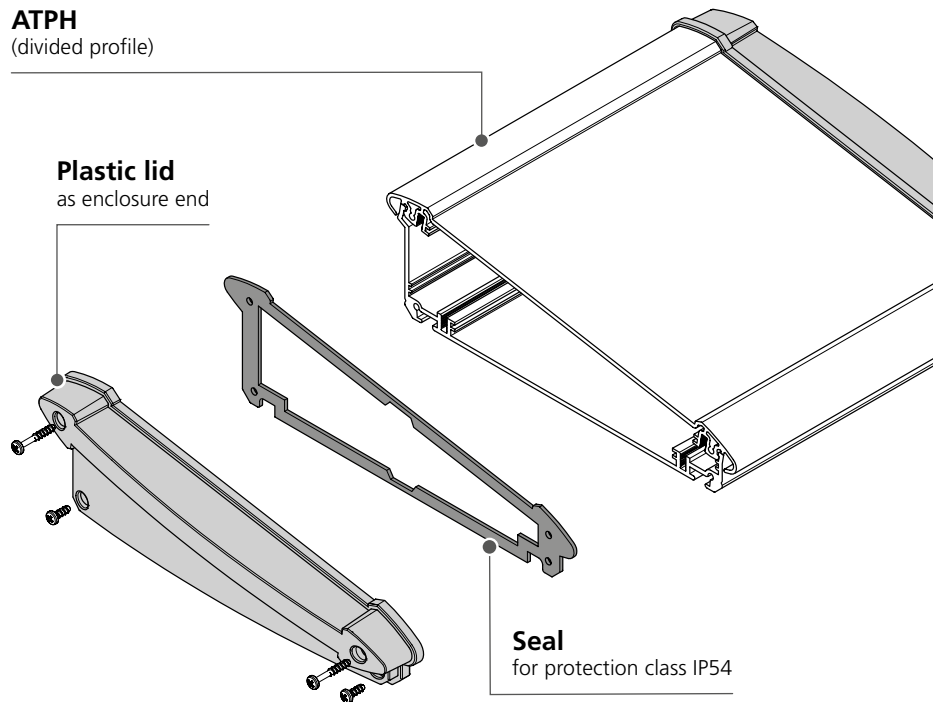


ATPH-IP 2385

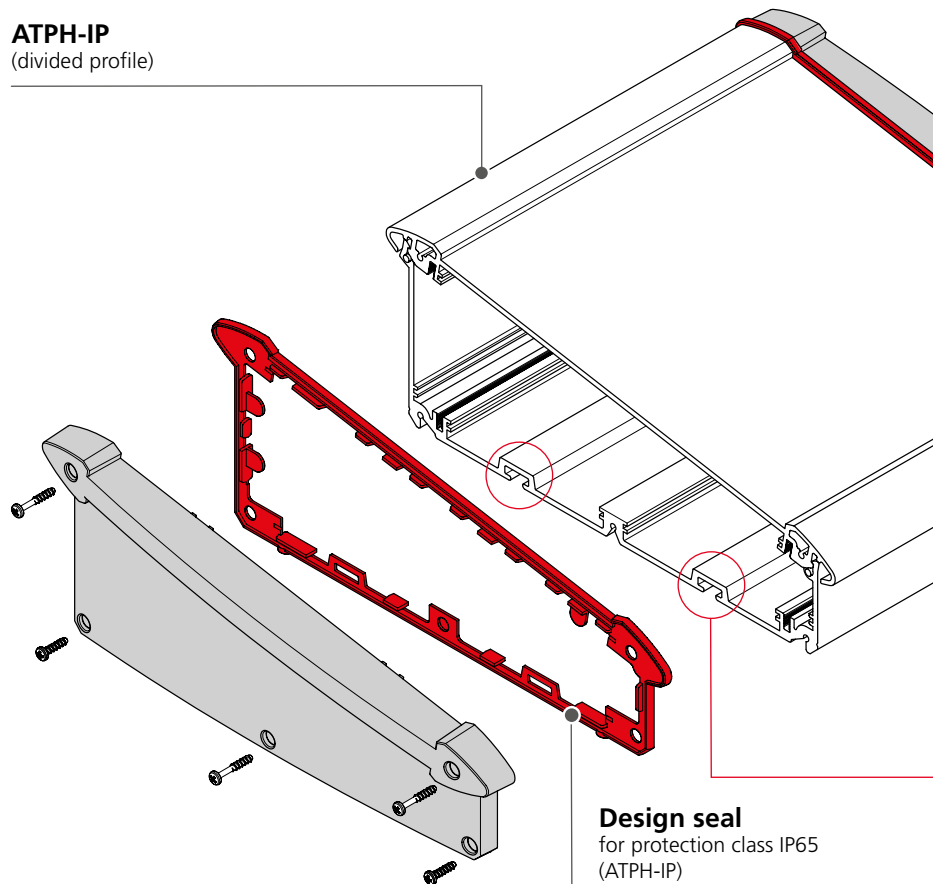


Enclosure versions

ATPH
(divided profile)



ATPH-IP
(divided profile)





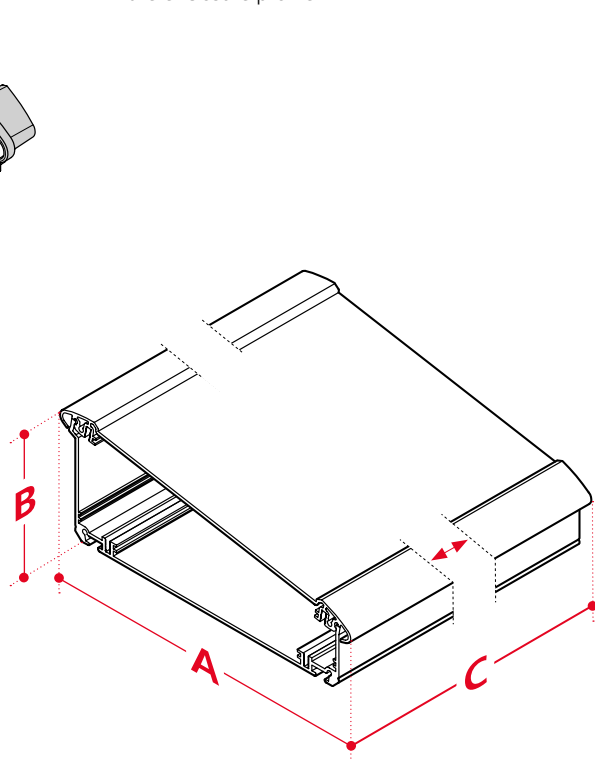
BOPLA

A Phoenix Mecano Company

Alu-Topline

! Note

For protection class IP54, in addition to seal AT...DI – available as an accessory – a round cord seal can be factory-fitted in the enclosure profile.



Dimensions

Model	A	B	C
ATPH 1850	181.2	53.2	*
ATPH 1865	181.2	68.2	*
ATPH-IP 2385	232,6	86,2	*

*C = standard lengths: 150 / 200 / 250 / 265 / 300
Special lengths on request.

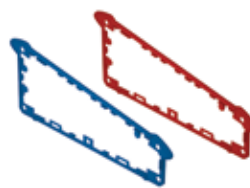
Accessories



Universal wall fitting



Rubber feet



Design seal for protection class IP65



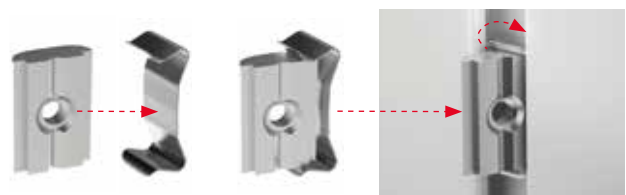
Seal for protection class IP54



Aluminium wall mounting



Insulating strip



Slot nuts, swivellable, for VESA mounting ATPH-IP

Inserts for slot nuts

e.g. for wall mounting using VESA 100

