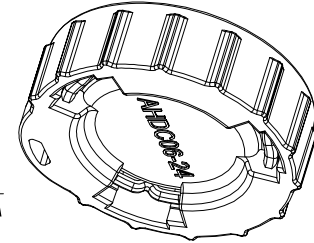
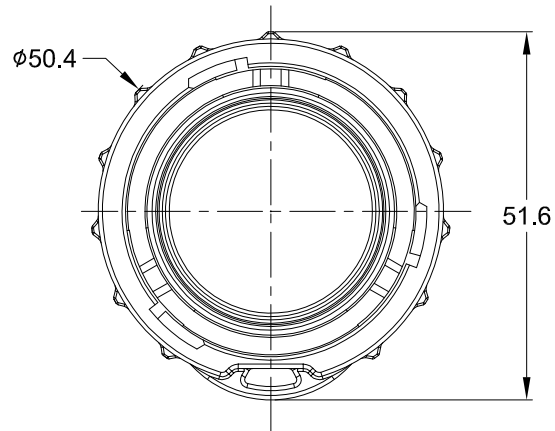
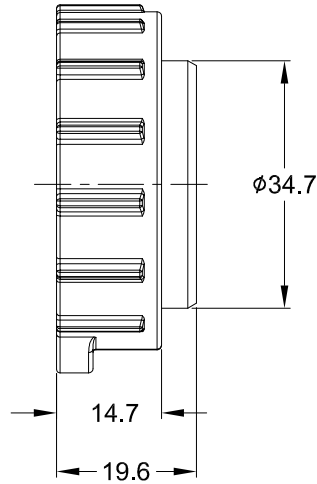
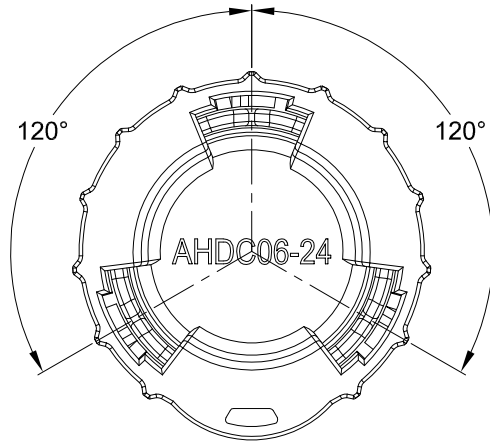


REVISIONS					
REV	ECO	DESCRIPTION	DATE	BY	APPR
A1		RELEASE NEW PRODUCT	02MAR18	RIMON	TOMMY



NOTES: UNLESS OTHERWISE SPECIFIED

1. MATERIAL: THERMOPLASTIC
2. COLORS: BLACK
3. RoHS COMPLIANT
4. COMPATIBLE WITH ALL SIZE 24 AHDP SERIES RECEPTACLE.
5. ALL DIMENSIONS ARE FOR REFERENCE USE ONLY.

AHDC06-24											
PART NUMBER		DESCRIPTION		ITEM							
QUANTITY	MATERIALS LIST										
<p>UNLESS OTHERWISE SPECIFIED</p> <p>1) All dimensions are in metric (mm).</p> <p>2) Tolerances are as follows:</p> <table border="0"> <tr> <td>1 PL DEC ±0.30</td> <td>Fractons ±1/64</td> </tr> <tr> <td>2 PL DEC ±0.15</td> <td>Angles ±1°</td> </tr> <tr> <td>3 PL DEC ±0.08</td> <td></td> </tr> </table> <p>3) Note reference = </p>		1 PL DEC ±0.30	Fractons ±1/64	2 PL DEC ±0.15	Angles ±1°	3 PL DEC ±0.08		<p>SIGNATURES</p> <p>DATE</p> <p>DRAWN: RIMON.MA 02MAR18</p> <p>CHECKED: ORION.LI 02MAR18</p> <p>ENGINEER:</p> <p>APPROVAL: TOMMY.XIE 02MAR18</p> <p>CUSTOMER:</p>		<p style="text-align: center;">Amphenol</p> <p style="text-align: center;">Sine Systems - www.amphenol-sine.com 44724 Morley Drive Clinton Township, MI 48036</p> <p style="text-align: center;">PROTECTIVE CAP FOR RECEPTACLES, AHDP SERIES, SIZE 24</p>	
1 PL DEC ±0.30	Fractons ±1/64										
2 PL DEC ±0.15	Angles ±1°										
3 PL DEC ±0.08											
MATERIAL SPECIFICATIONS:		THIS DRAWING IS SUPPLIED FOR INFORMATION ONLY. DESIGN FEATURES, SPECIFICATIONS AND PERFORMANCE DATA SHOWN HEREON ARE THE PROPERTY OF THE AMPHENOL CORPORATION. NO RIGHTS OF REPRODUCTION ARE IMPLIED. ALL DIMENSIONS ARE SUBJECT TO NORMAL MANUFACTURING VARIATIONS.									
PROCESS SPECIFICATIONS:		SIZE	TYPE	DWG NO:	REVISION						
NEXT ASSY:		A	C-	AHDC06-24	A1						
		SCALE: NONE	SHEET 1 OF 1								