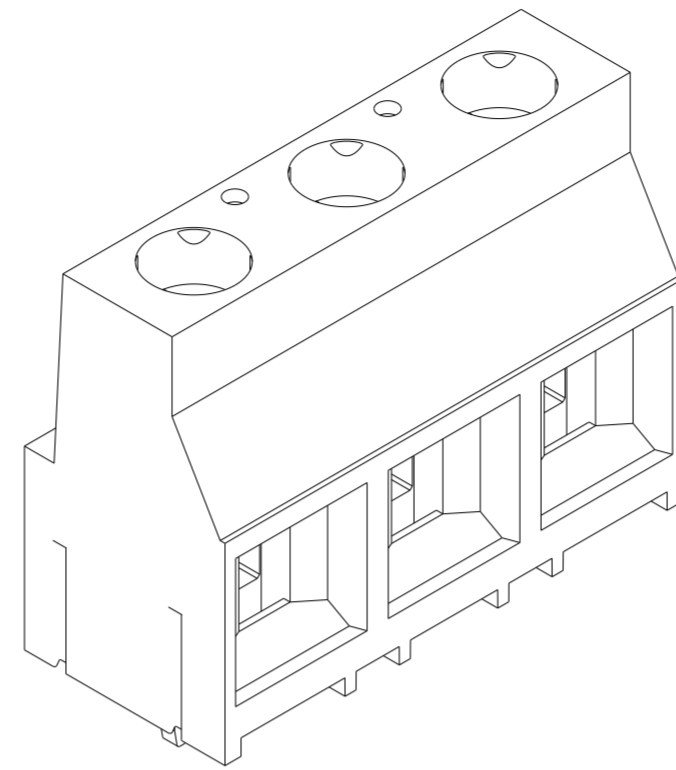
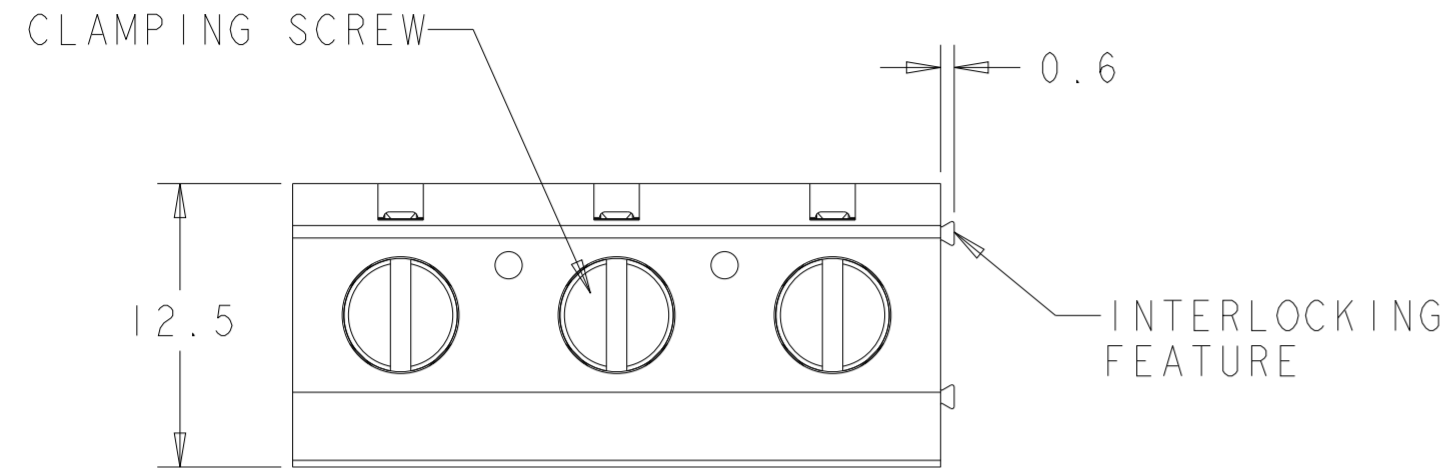


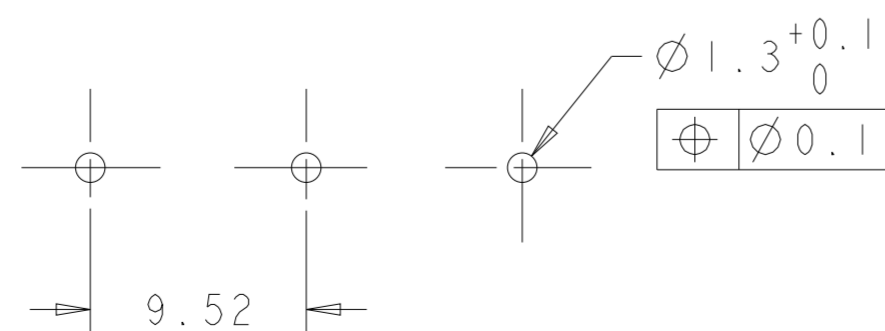
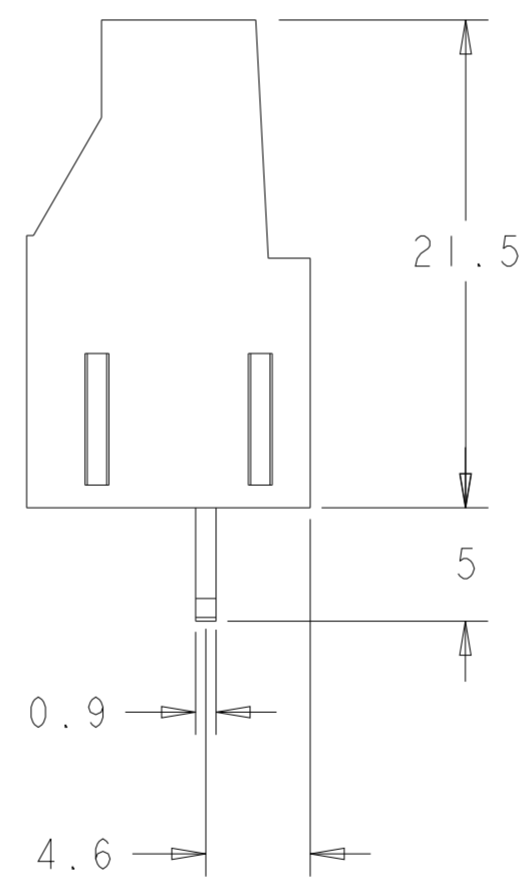
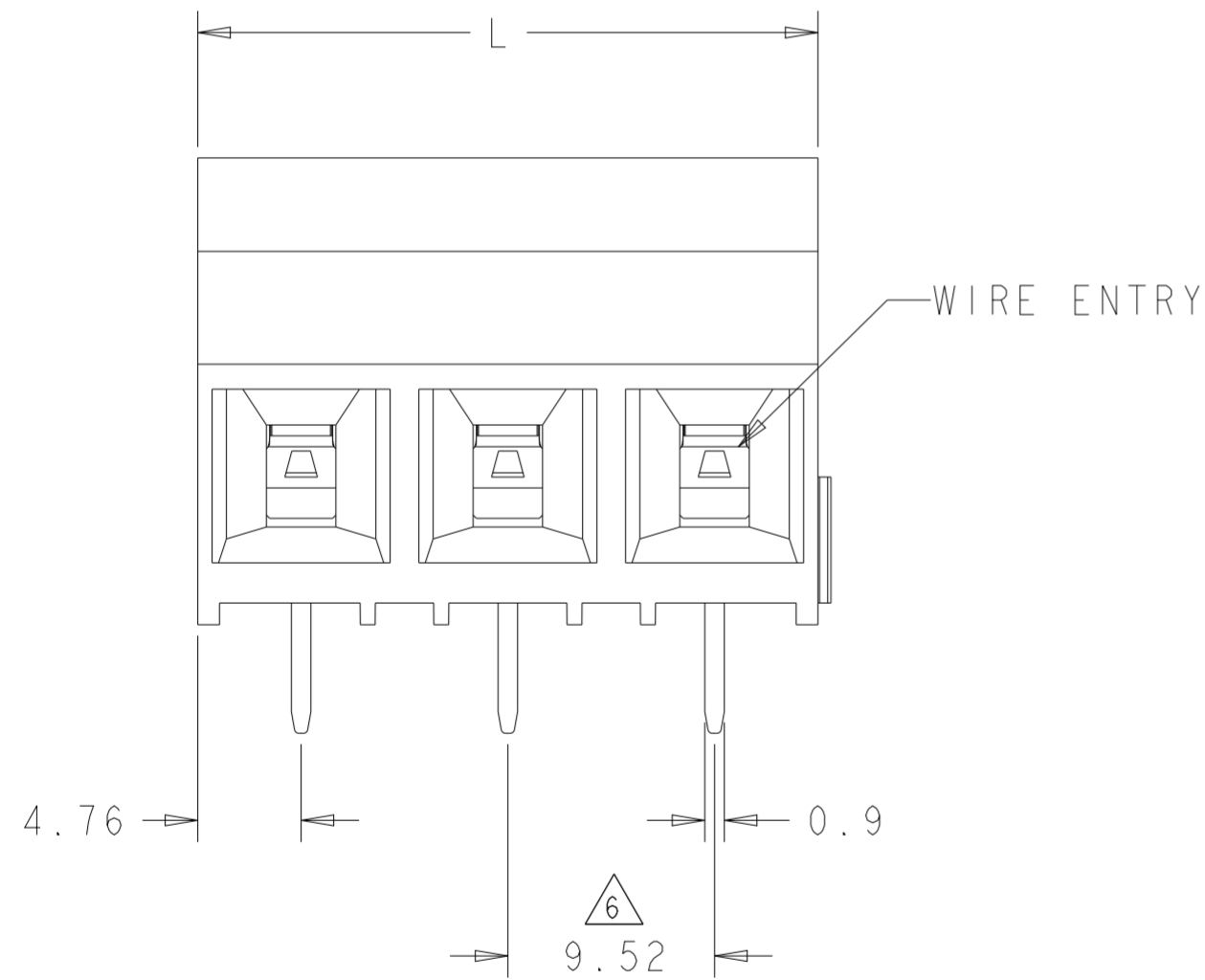
| P | LTR | DESCRIPTION | DATE | DWN | APVD |
|----|-----|--|-----------|-----|------|
| C | | PACKAGING CHANGED FROM BLACK POLYURETHANE SPONGE TO TRAY | 12MAR2018 | RK | PS |
| CI | | PART STATUS UPDATED | 19OCT2021 | SCB | SS |



796739-3 AS SHOWN

NOTES:

- MATERIALS AND FINISH
 HOUSING: PA 6-6, UL 94-VO, COLOR GREEN
 CLAMP: BRASS, NICKEL PLATED.
 CLAMPING SCREW: M3.5, BRASS, NICKEL PLATED.
 TERMINAL: BRASS, TIN PLATED.
- MECHANICAL
 WIRE STRIPPING LENGTH : 7.0-8.0 mm
 MIN. PC BOARD HOLES DIAMETER : 1.3 mm
 MAX. PC BOARD THICKNESS : 4 mm
 RECOMMENDED TIGHTENING TORQUE FOR SCREW : 0.8 Nm.
- ELECTRICAL
 WIRE RANGE : 10-30 AWG
 MAX. VOLTAGE : 600 V
 MAX CURRENT : 30 A
 CONTACT RESISTANCE : <15 m Ohm
 INSULATION RESISTANCE : >1000 M Ohm (500V DC)
- END-TO-END STACKABLE W/INTERLOCK, WITHOUT LOSS OF CENTERLINE SPACING.
- RECOGNIZED UNDER THE COMPONENT PROGRAM OF UNDERWRITERS LABORATORY INC. FILE No. E60677.
- NOT CUMULATIVE TOLERANCE.
- PARTS LARGER THAN 3 POSITION ARE MADE FROM INTERLOCKING 2 OR 3 POSITION PARTS TOGETHER.
- PACKED IN TRAY.



RECOMMENDED PC BOARD LAYOUT

| | | | | | |
|-------------------------|---------|----------------------|-------|------------|---------------------|
| OBsolete | AR | 796739-2 796739-3 | 95.20 | 10 | 796739-0 |
| OBsolete | 2 | 796739-2 | 38.08 | 4 | 796739-4 |
| - | - | - | 28.56 | 3 | 796739-3 |
| - | - | - | 19.04 | 2 | 796739-2 |
| QTY | PART NO | | | | |
| MAKE FROM $\triangle 7$ | | | L | NO OF POSN | PART NUMBER |

| | | | | | | |
|--|---------------------|-----------------------|-------------------|----------------------------|------------------------|--------------------|
| THIS DRAWING IS A CONTROLLED DOCUMENT. | | DWN E. ZANOLINI | 02MAR2001 | STE TE Connectivity | | |
| DIMENSIONS: mm | | CHK E. ZANOLINI | 02MAR2001 | | | |
| TOLERANCES UNLESS OTHERWISE SPECIFIED: | | APVD D. BIEVENOUR | 02MAR2001 | | | |
| 0 PLC ± 0.15 1 PLC ± 0.2 2 PLC ± 0.2 3 PLC \pm 4 PLC \pm ANGLES ± 2 FINISH | | NAME D. BIEVENOUR | PRODUCT SPEC - | | | |
| MATERIAL SEE NOTES | FINISH SEE NOTES | APPLICATION SPEC - | SIZE A2 | CAGE CODE 00779 | DRAWING NO C-796739 | RESTRICTED TO - |
| CUSTOMER DRAWING | | | SCALE 3:1 | SHEET 1 | OF 1 | REV CI |