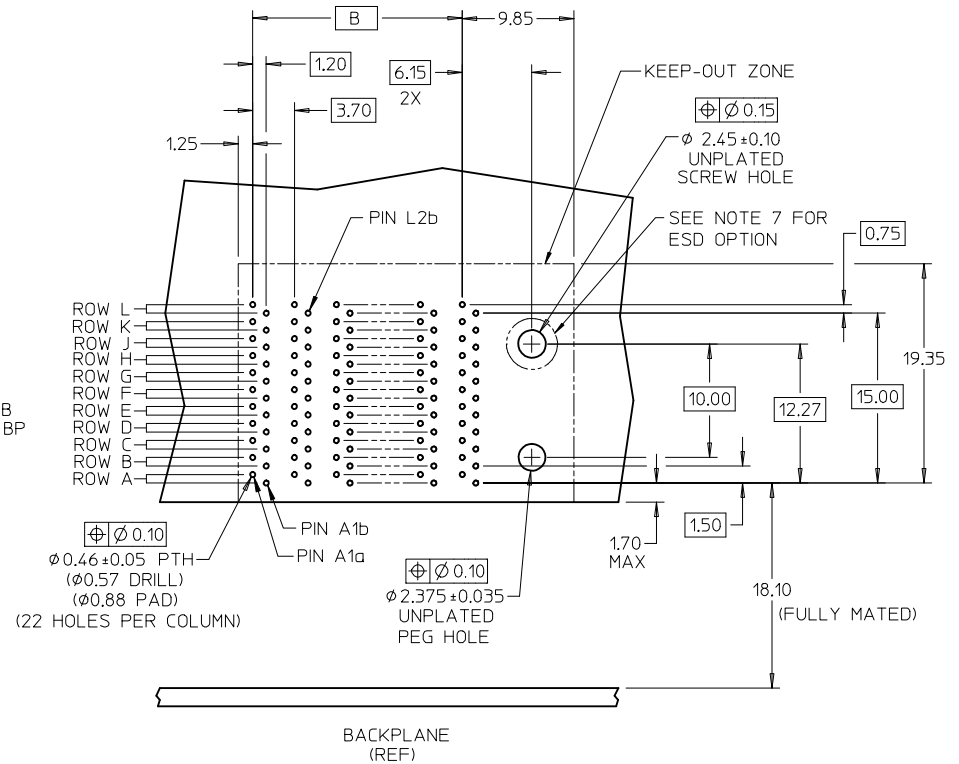
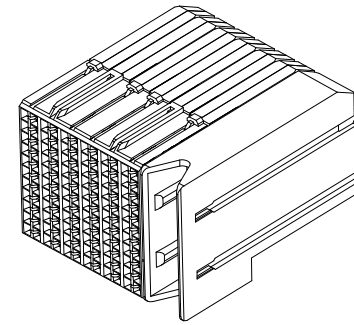
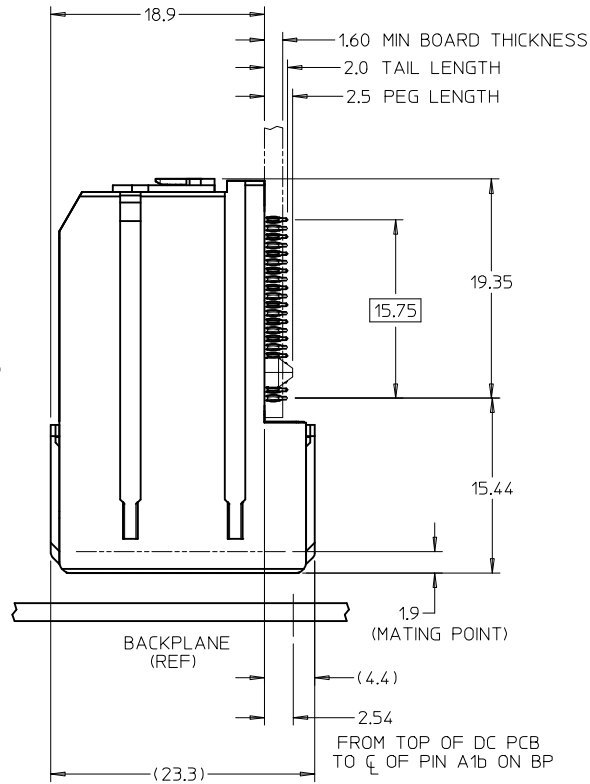


KEY SHOWN IN POSITION "B"



DAUGHTERCARD HOLE PATTERN  
(CONNECTOR SIDE)

NOTES:

1. MATERIALS: HOUSING - LIQUID CRYSTAL POLYMER (LCP) GLASS-FILLED, UL94V-0  
TERMINALS - HIGH PERFORMANCE COPPER ALLOY
2. FINISH: SELECTIVE GOLD IN CONTACT AREA.  
SELECTIVE MATTE TIN ON PCB TAILS, NICKEL OVERALL.
3. REFER TO MOLEX PRODUCT SPECIFICATION PS-75710-999 FOR PERFORMANCE SPECS.
4. PRODUCT IS PACKAGED PER PK-70873-609.
5. THIS PART CONFORMS TO CLASS B REQUIREMENTS OF COSMETIC SPEC PS-45499-002.
6. GUIDED PARTS TO BE SHIPPED WITH 2-32 TYPE AB  
SELF-TAPPING SCREW P/N 73726-0000.
7. FOR GROUNDED GUIDE MODULES USE DIA 2.45+/-0.10 (PTH), DIA 2.58 (DRILL),  
AND DIA 4.50 (PAD).
8. MAPS (MOLEX ADVANCED PLATING SYSTEM)

LEAD FREE CONVERSION EC NO: UCP2013-4121 DRAWN: RHIPPLE 2013/04/01 CHKD: MWOLFE 2013/04/01 APPR: SMILLER 2013/07/15	QUALITY SYMBOLS ▽=0 ▽=0 ▽=0	GENERAL TOLERANCES (UNLESS SPECIFIED)		DIMENSION STYLE <b>MM ONLY</b>		SCALE <b>3:1</b>	DESIGN UNITS <b>METRIC</b>	THIRD ANGLE PROJECTION	
				DRAWN BY JLAURX	DATE 2/17/05	TITLE <b>I-TRAC DAUGHTERCARD 11 ROW SIGNAL MODULE GUIDE RIGHT SALES DWG</b>			
				CHECKED BY NMARTIN	DATE 2/17/05				
				APPROVED BY CBIXLER		DATE 2/17/05	DOCUMENT NO. <b>SD-75710-004</b>		
		MATERIAL NO.		SHEET NO. <b>1 OF 2</b>					
		ANGULAR ±1/2°		SIZE <b>C</b>		THIS DRAWING CONTAINS INFORMATION THAT IS PROPRIETARY TO MOLEX INCORPORATED AND SHOULD NOT BE USED WITHOUT WRITTEN PERMISSION			
		DRAFT WHERE APPLICABLE MUST REMAIN WITHIN DIMENSIONS							

75710-\*\*\*\*

MODULE TYPE -- TAIL PLATING TYPE  
 GUIDE RIGHT -- MATTE TIN (FORMERLY TIN/LEAD) = 4  
 GUIDE RIGHT -- MATTE TIN = 5

# OF COLUMNS/PLATING  
 05 = 5 COL 30 GOLD  
 06 = 6 COL 30 GOLD  
 08 = 8 COL 30 GOLD  
 10 = 10 COL 30 GOLD  
 55 = 5 COL W/ESD 30 GOLD  
 56 = 6 COL W/ESD 30 GOLD  
 58 = 8 COL W/ESD 30 GOLD  
 50 = 10 COL W/ESD 30 GOLD  
 25 = 5 COL 10 GOLD (MAPS)  
 26 = 6 COL 10 GOLD (MAPS)  
 28 = 8 COL 10 GOLD (MAPS)  
 20 = 10 COL 10 GOLD (MAPS)  
 65 = 5 COL W/ESD 10 GOLD (MAPS)  
 66 = 6 COL W/ESD 10 GOLD (MAPS)  
 68 = 8 COL W/ESD 10 GOLD (MAPS)  
 60 = 10 COL W/ESD 10 GOLD (MAPS)

POLARIZATION KEY ORIENTATION

0 = NO KEY  
 1 = A      5 = E  
 2 = B      6 = F  
 3 = C      7 = G  
 4 = D      8 = H

MATERIAL NUMBER	# OF COLUMNS	DIM "A" MAX	DIM "B"
75710-***5	5	25.90	14.80
75710-***6	6	29.60	18.50
75710-***8	8	37.00	25.90
75710-***0	10	44.40	33.30

SEE SHEET 1 EC NO: UCP2013-4121 DRW:RWHIPPLE 2013/04/01 CHKD:MWOLFE 2013/04/01 APPR:SMILLER 2013/07/15	QUALITY SYMBOLS 	GENERAL TOLERANCES (UNLESS SPECIFIED)		DIMENSION STYLE <b>MM ONLY</b>	SCALE <b>1:1</b>	DESIGN UNITS <b>METRIC</b>	THIRD ANGLE PROJECTION
		4 PLACES ± --- ± --- 3 PLACES ± --- ± --- 2 PLACES ± 0.13 ± --- 1 PLACE ± 0.25 ± --- 0 PLACE ± ±	mm      INCH	DRAWN BY      DATE JLAURX      2/17/05	TITLE <b>I-TRAC DAUGHTERCARD          11 ROW SIGNAL MODULE          GUIDE RIGHT SALES DWG</b>		
		ANGULAR ±1/2°		CHECKED BY      DATE NMARTIN      2/17/05			
		DRAFT WHERE APPLICABLE MUST REMAIN WITHIN DIMENSIONS		APPROVED BY      DATE CBIXLER      2/17/05			
		MATERIAL NO.	DOCUMENT NO. <b>SD-75710-004</b>	SHEET NO. <b>2 OF 2</b>			

THIS DRAWING CONTAINS INFORMATION THAT IS PROPRIETARY TO MOLEX INCORPORATED AND SHOULD NOT BE USED WITHOUT WRITTEN PERMISSION

MATERIAL NUMBER	# OF COLUMNS	DIM "A" MAX	DIM "B"
75710-**-55	5	25.90	14.80
75710-**-56	6	29.60	18.50
75710-**-58	8	37.00	25.90
75710-**-50	10	44.40	33.30

75710-\*\*\*\*

MODULE TYPE -- TAIL PLATING TYPE

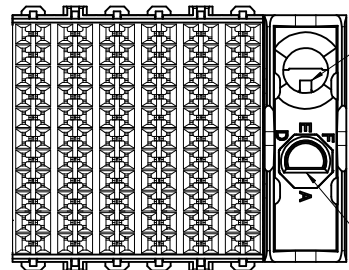
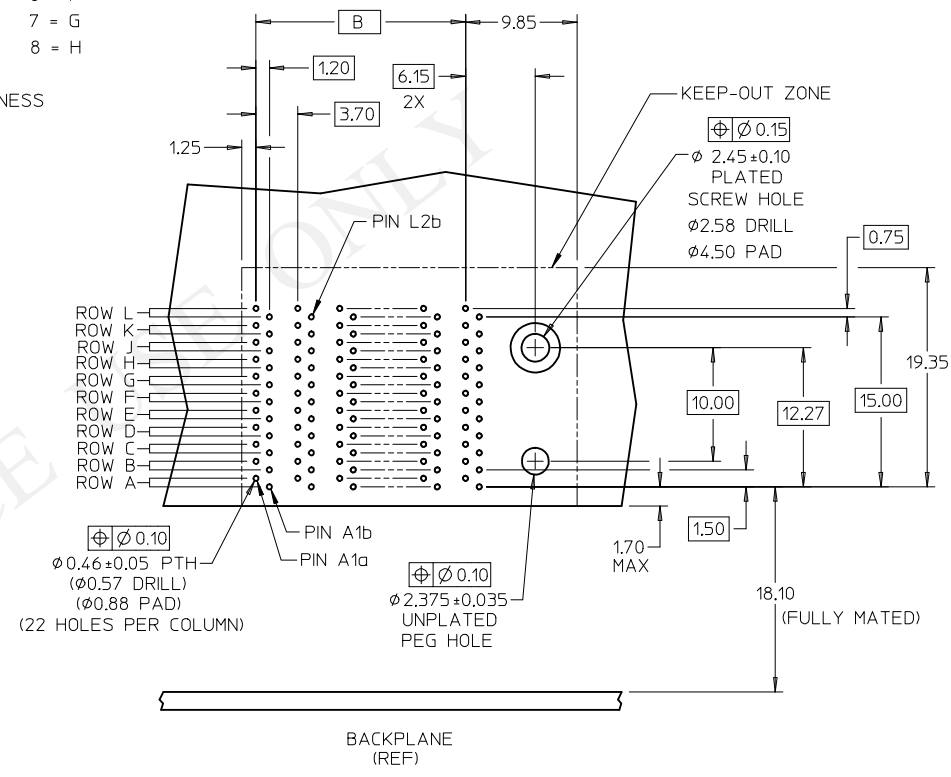
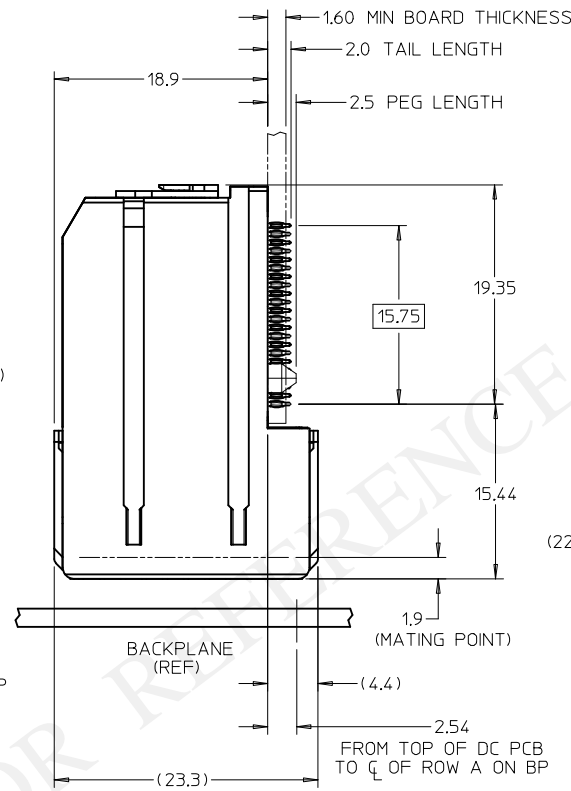
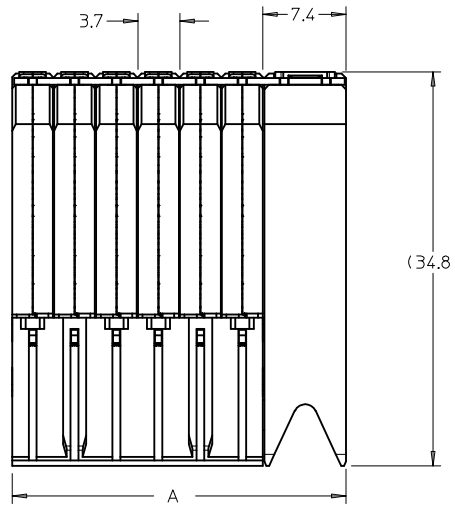
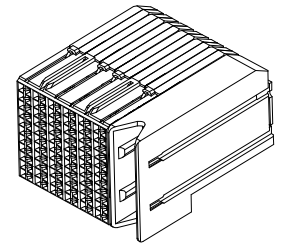
GUIDE RIGHT -- TIN/LEAD = 4  
GUIDE RIGHT -- TIN ONLY = 5

POLARIZATION KEY ORIENTATION

0 = NO KEY  
1 = A      5 = E  
2 = B      6 = F  
3 = C      7 = G  
4 = D      8 = H

# OF COLUMNS

55 = 5 COL W/ESD  
56 = 6 COL W/ESD  
58 = 8 COL W/ESD  
50 = 10 COL W/ESD



ESD CLIP  
KEY SHOWN IN POSITION "A"

DAUGHTERCARD HOLE PATTERN  
(CONNECTOR SIDE)

- NOTES:
- MATERIALS: HOUSING - LIQUID CRYSTAL POLYMER (LCP) GLASS-FILLED, UL94V-0  
TERMINALS - HIGH PERFORMANCE COPPER ALLOY
  - FINISH: SELECTIVE 30µIN MIN GOLD IN CONTACT AREA. SELECTIVE TIN/LEAD (-4\*\*\*)  
OR SELECTIVE TIN (-5\*\*\*) ON PCB TAILS; NICKEL OVERALL.
  - REFER TO MOLEX PRODUCT SPECIFICATION PS-75710-999 FOR PERFORMANCE SPECS.
  - PRODUCT IS PACKAGED PER PK-70873-609.
  - THIS PART CONFORMS TO CLASS B REQUIREMENTS OF COSMETIC SPEC PS-45499-002.

<b>RELEASE TOOLING</b> EC NO: UCP2015-4261 DRAWN: CARRANZA 2006/11/30 CHKD: JLAURX APPR: BINGHAM 2015/04/17	QUALITY SYMBOLS	GENERAL TOLERANCES (UNLESS SPECIFIED)	DIMENSION STYLE	SCALE	DESIGN UNITS	THIRD ANGLE PROJECTION																				
	$\nabla=0$ $\nabla=0$	<table border="1"> <tr><th colspan="2"></th><th>mm</th><th>INCH</th></tr> <tr><td>4 PLACES</td><td>±</td><td>---</td><td>±</td></tr> <tr><td>3 PLACES</td><td>±</td><td>---</td><td>±</td></tr> <tr><td>2 PLACES</td><td>±</td><td>0.13</td><td>±</td></tr> <tr><td>1 PLACE</td><td>±</td><td>0.25</td><td>±</td></tr> </table>			mm	INCH	4 PLACES	±	---	±	3 PLACES	±	---	±	2 PLACES	±	0.13	±	1 PLACE	±	0.25	±	MM ONLY	3:1	METRIC	
			mm	INCH																						
	4 PLACES	±	---	±																						
3 PLACES	±	---	±																							
2 PLACES	±	0.13	±																							
1 PLACE	±	0.25	±																							
	ANGULAR ±1/2°	DRAWN BY DATE	TITLE	<b>I-TRAC DAUGHTERCARD 11 ROW SIGNAL MODULE GUIDE RIGHT W/ ESD CLIP</b>																						
	DRAFT WHERE APPLICABLE MUST REMAIN WITHIN DIMENSIONS	JLAURX 2/17/05	SD-75710-054																							
		CHECKED BY DATE	<b>MOLEX INCORPORATED</b>																							
		NMARTIN 2/17/05	MATERIAL NO. SEE CHART DOCUMENT NO. SD-75710-054 SHEET NO. 1 OF 1																							
		APPROVED BY DATE	THIS DRAWING CONTAINS INFORMATION THAT IS PROPRIETARY TO MOLEX INCORPORATED AND SHOULD NOT BE USED WITHOUT WRITTEN PERMISSION																							
		CBIXLER 2/17/05																								