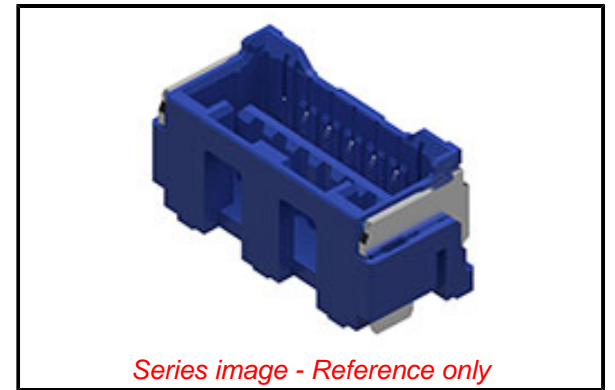


**PLEASE CHECK WWW.MOLEX.COM FOR LATEST PART INFORMATION**

**Part Number:** [5025840864](#)  
**Status:** **Active**  
**Overview:** CLIK-Mate Wire-to-Board Connectors  
**Description:** 1.50mm Pitch, CLIK-Mate PCB Receptacle, Single Row, Surface Mount, Tin Plating, Positive Lock, with Pick-and-Place Polyimide Tape, 8 Circuits, Blue

**Documents:**

<a href="#">3D Model</a>	<a href="#">Product Specification 5025781000-PS-000 (PDF)</a>
<a href="#">3D Model (PDF)</a>	<a href="#">Application Specification AS-502578-001-001 (PDF)</a>
<a href="#">Drawing (PDF)</a>	<a href="#">Packaging Specification SPK-502584-001-001 (PDF)</a>
<a href="#">Product Specification 5025780000-PS-000 (PDF)</a>	<a href="#">RoHS Certificate of Compliance (PDF)</a>



**General**

Product Family	PCB Receptacles
Series	<a href="#">502584</a>
Application	Signal, Wire-to-Board
Overview	<a href="#">CLIK-Mate Wire-to-Board Connectors</a>
Product Name	CLIK-Mate
UPC	800756721514

**Physical**

Circuits (Loaded)	8
Circuits (maximum)	8
Color - Resin	Blue
Durability (mating cycles max)	30
Glow-Wire Capable	No
Guide to Mating Part	Yes
Keying to Mating Part	None
Lock to Mating Part	Yes
Mated Height	9.70mm
Material - Metal	Copper Alloy
Material - Plating Mating	Tin
Net Weight	666.601/mg
Number of Rows	1
Orientation	Vertical
PCB Locator	No
PCB Retention	Yes
Packaging Type	Embossed Tape on Reel
Pitch - Mating Interface	1.50mm
Pitch - Termination Interface	1.50mm
Polarized to Mating Part	Yes
Polarized to PCB	Yes
Stackable	No
Temperature Range - Operating	-40° to +105°C
Termination Interface: Style	Surface Mount

**Electrical**

Current - Maximum per Contact	2.0A
Voltage - Maximum	100V

**Material Info**

**Reference - Drawing Numbers**

Application Specification	AS-502578-001-001
Packaging Specification	SPK-502584-001-001
Product Specification	5025780000-PS-000, 5025781000-PS-000
Sales Drawing	5025840000-SD-000

**EU ELV**

**Not Relevant**

**EU RoHS**

**Compliant**

**REACH SVHC**

Not Contained Per -  
D(2021)4569-DC (8  
July 2021)

**Halogen-Free**

**Status**

**Not Low-Halogen**

For more information, please visit [Contact US](#)

China ROHS

ELV

RoHS Phthalates

**China RoHS**

Green Image

Not Relevant

Not Contained

**Search Parts in this Series**

[502584](#) Series

**Mates With**

CLIK-Mate Housing [502578](#) . CLIK-Mate  
Cable Assembly [15135](#)

This document was generated on 10/18/2021

**PLEASE CHECK [WWW.MOLEX.COM](http://WWW.MOLEX.COM) FOR LATEST PART INFORMATION**